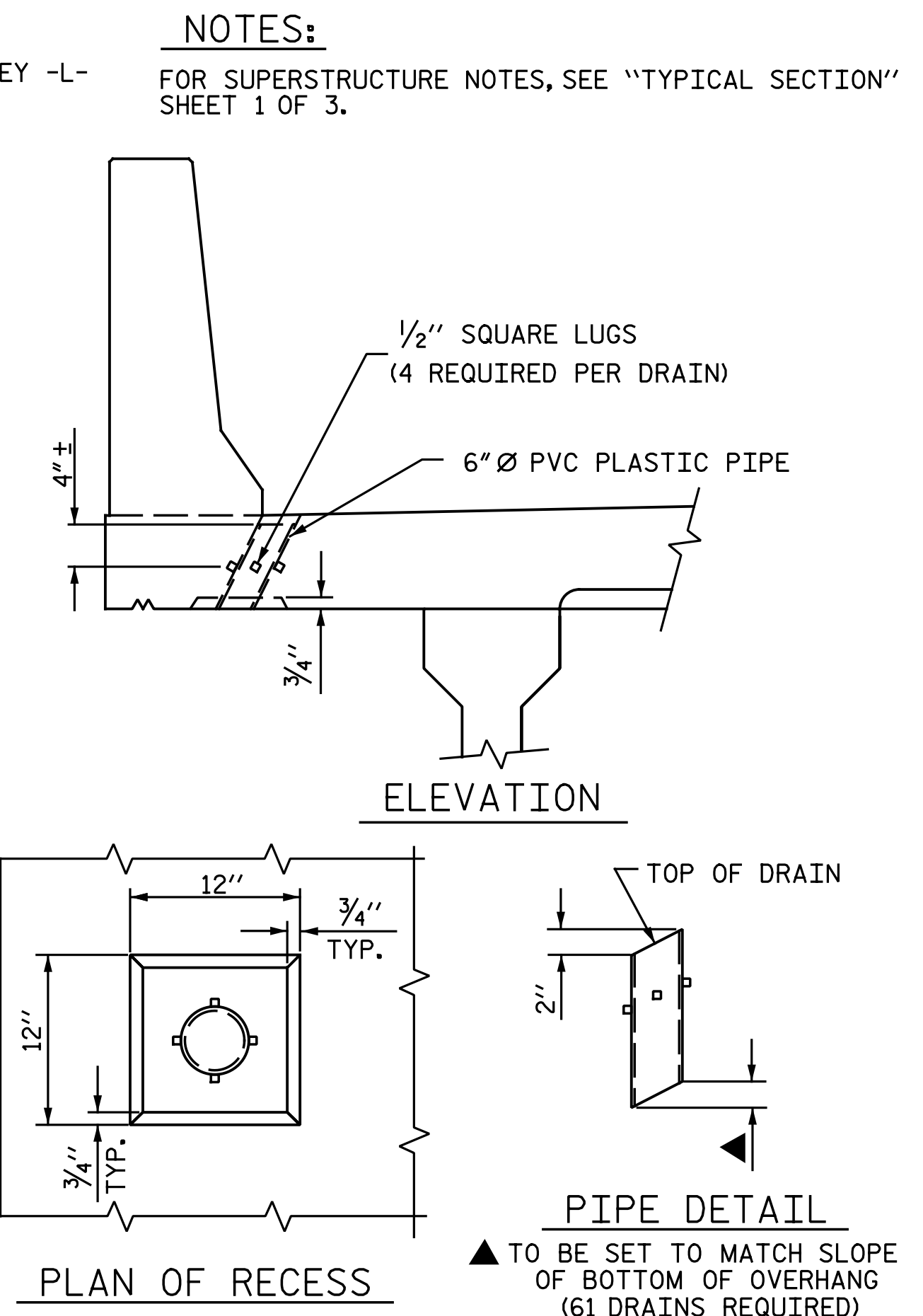
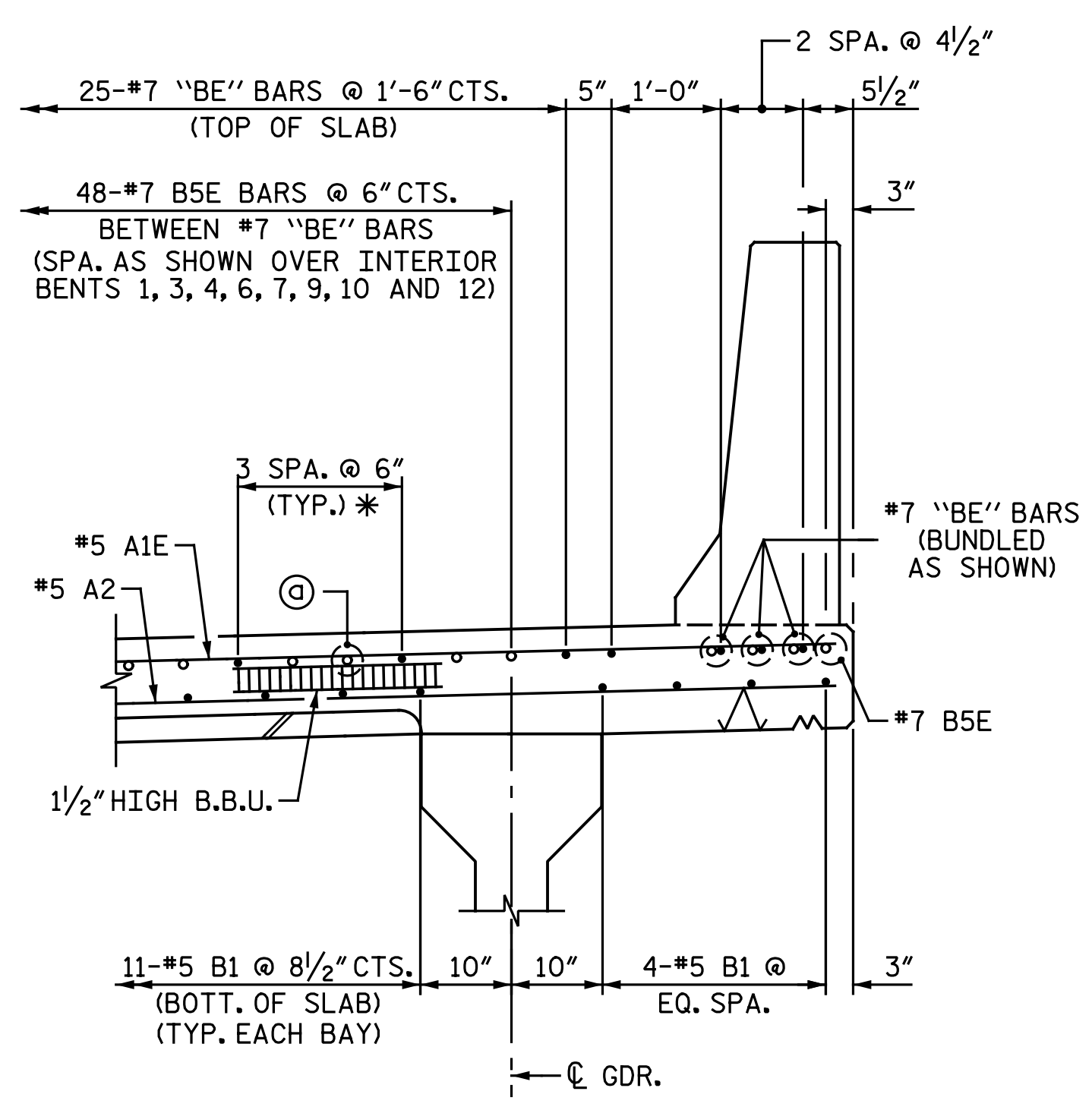


TYPICAL SECTION @ INTERMEDIATE DIAPHRAGM

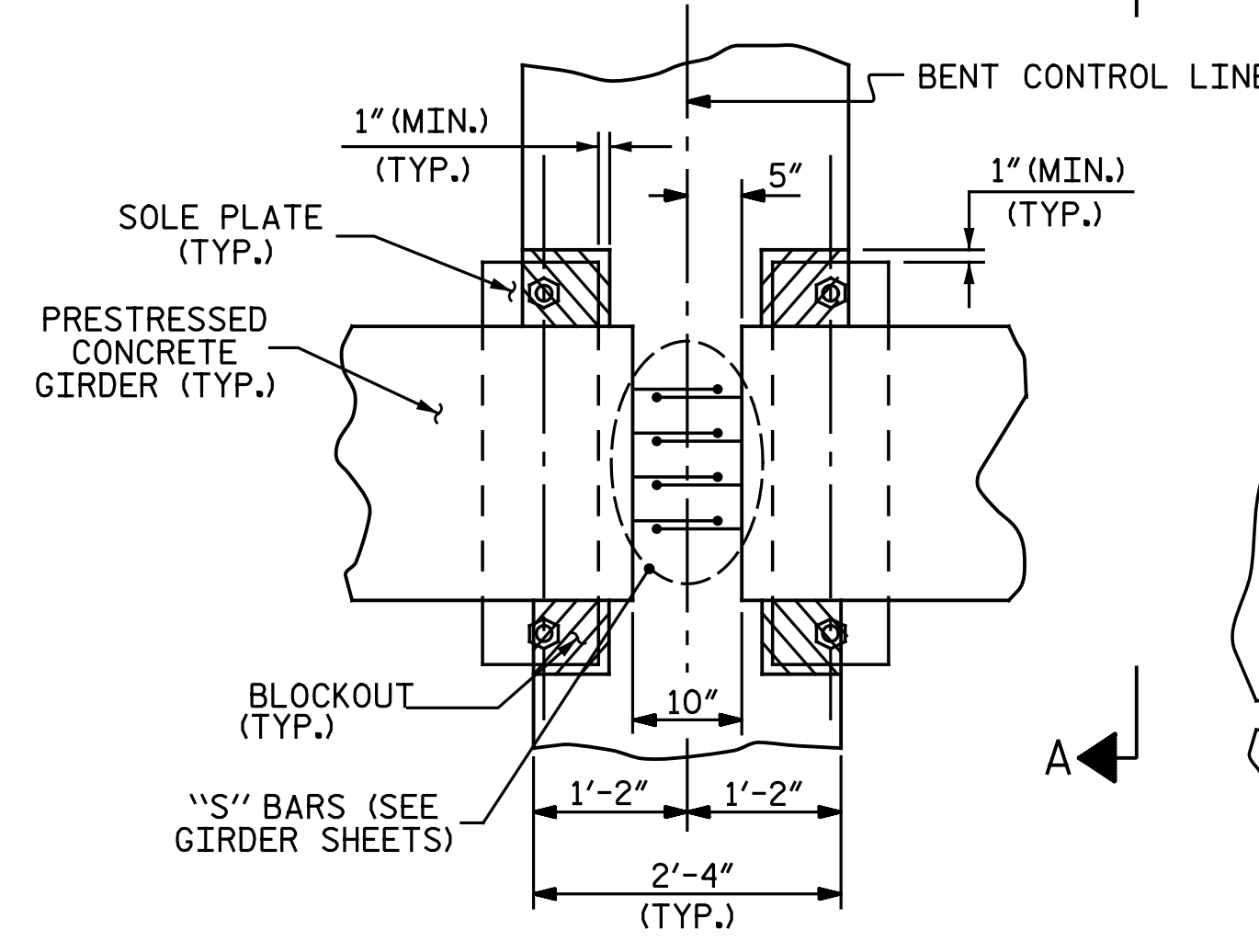


DRAIN DETAILS
 TOP OF FLOOR DRAINS TO BE SET 3/8" BELOW SURFACE OF SLAB.
 4 - 1/2" SQUARE LUGS TO BE GLUED TO THE P.V.C. PLASTIC PIPE AT EQUAL SPACES AROUND THE PIPE DRAIN APPROXIMATELY 4" FROM THE TOP OF THE PIPE.
 THE 6" Ø PVC PLASTIC PIPE AND FITTINGS SHALL BE SCHEDULE 40 AND CONFORM TO ASTM D1785.
 SEE "PLAN OF SPAN" FOR DRAIN LOCATIONS AND SPACING

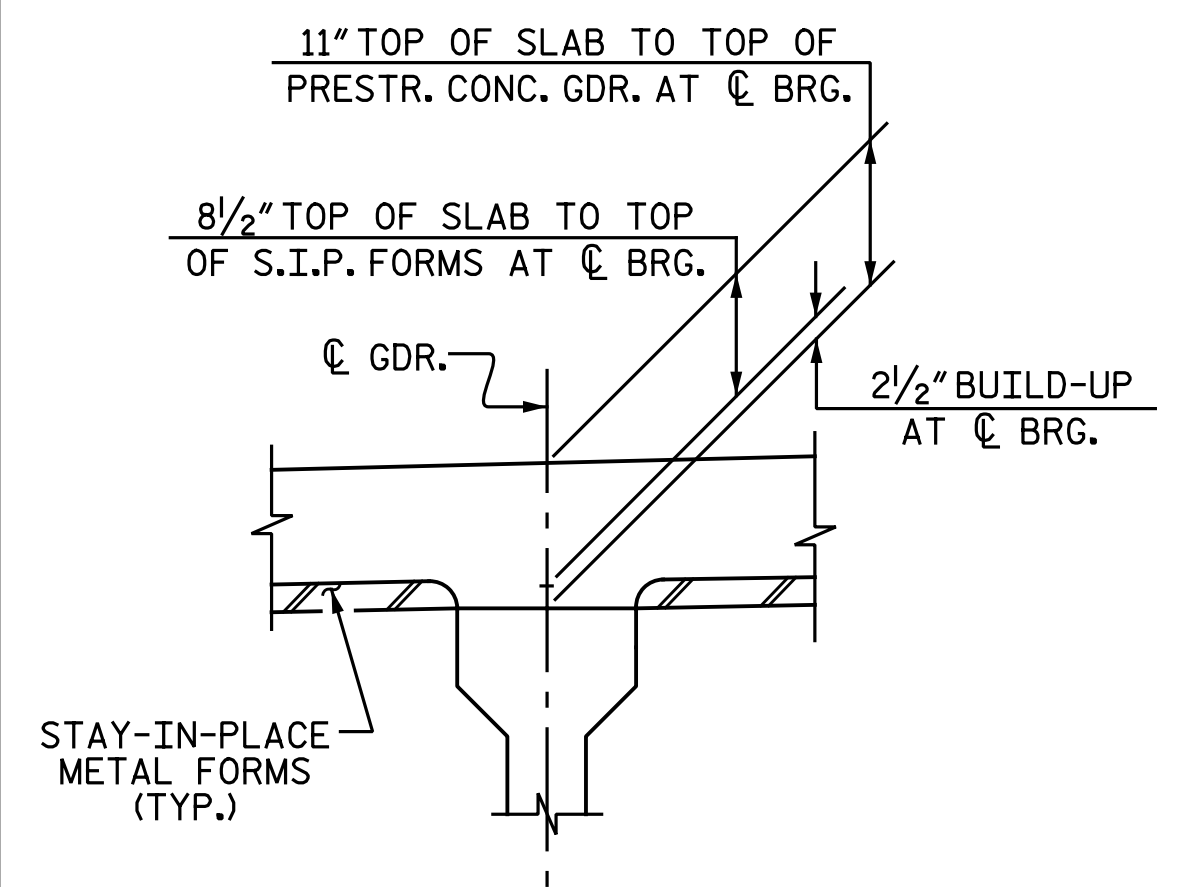
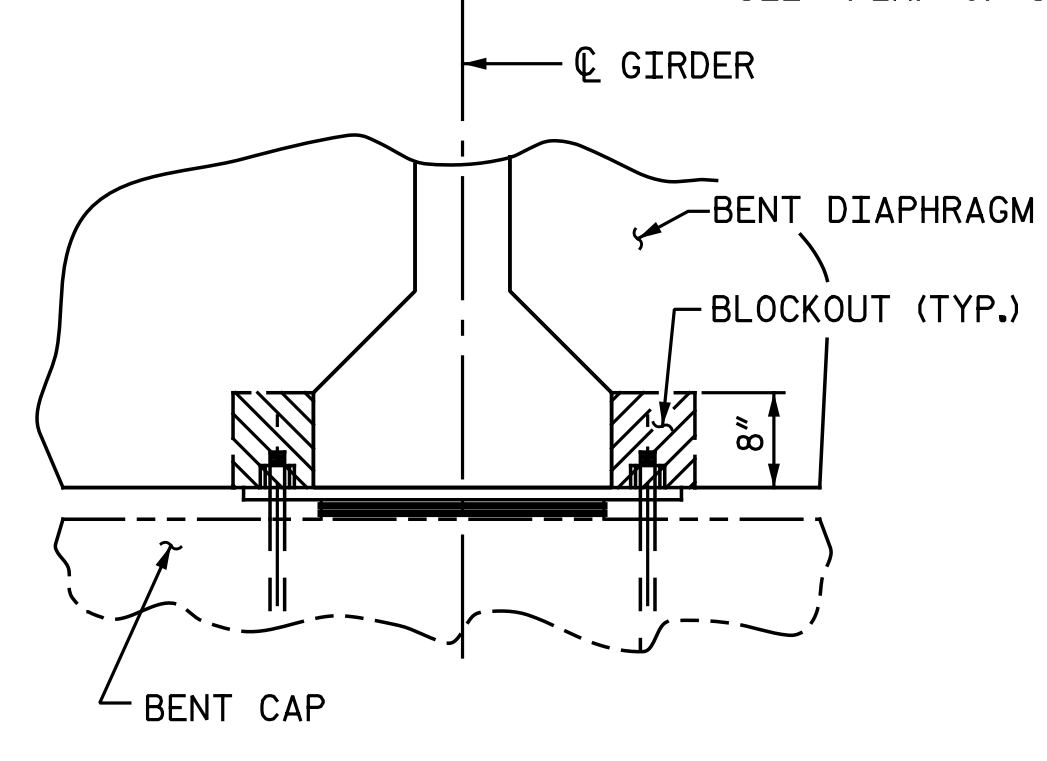


DETAIL B

⊙ 2-#7 "BE" NON-CONTINUOUS REINFORCING BARS BETWEEN CONTINUOUS REINFORCING OVER INTERIOR BENTS 1, 3, 4, 6, 7, 9, 10 AND 12 (SPA. AS SHOWN)
 * TYP. SPACING OF NON-CONTINUOUS "BE" BARS BETWEEN CONTINUOUS "BE" BARS.
 ○ INDICATES NON-CONTINUOUS REINFORCING STEEL OVER BENT.
 • INDICATES CONTINUOUS REINFORCING STEEL FOR END BENT 1, INTERIOR BENTS 2, 5, 8, 11 AND END BENT 2.



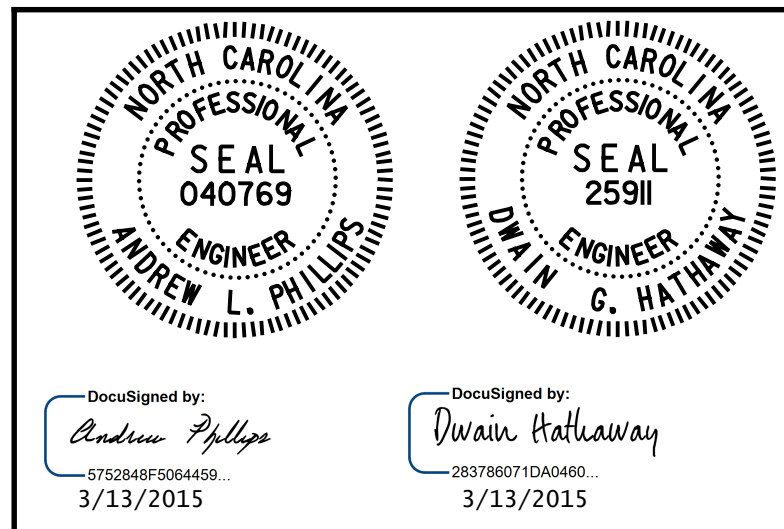
PLAN SECTION A-A
 BENT DIAPHRAGM BLOCKOUT DETAIL



DETAIL A

(TYP. EA. GDR. @ EA. BENT)

PROJECT NO. R-2514D
JONES COUNTY
 STATION: 389+47.50 -L-
 SHEET 2 OF 3



STATE OF NORTH CAROLINA
 DEPARTMENT OF TRANSPORTATION
 RALEIGH
 SUPERSTRUCTURE
 TYPICAL SECTION
 LEFT LANE

REVISIONS						SHEET NO.
NO.	BY:	DATE:	NO.	BY:	DATE:	SHEET NO.
1			3			TOTAL SHEETS
2			4			68

Baker
 Michael Baker Engineering
 8000 Regency Parkway, Suite 600
 Cary, North Carolina 27516
 NC License No.: F-1084

DWG. 8 OF 68

nbspecks 4:09:50 PM 3/5/2015 File Name: Y:\P\Projects\NCDOT\R-2514D\Site 4\Drawings\Final\407_008_R2514D_SML_TS02.dgn