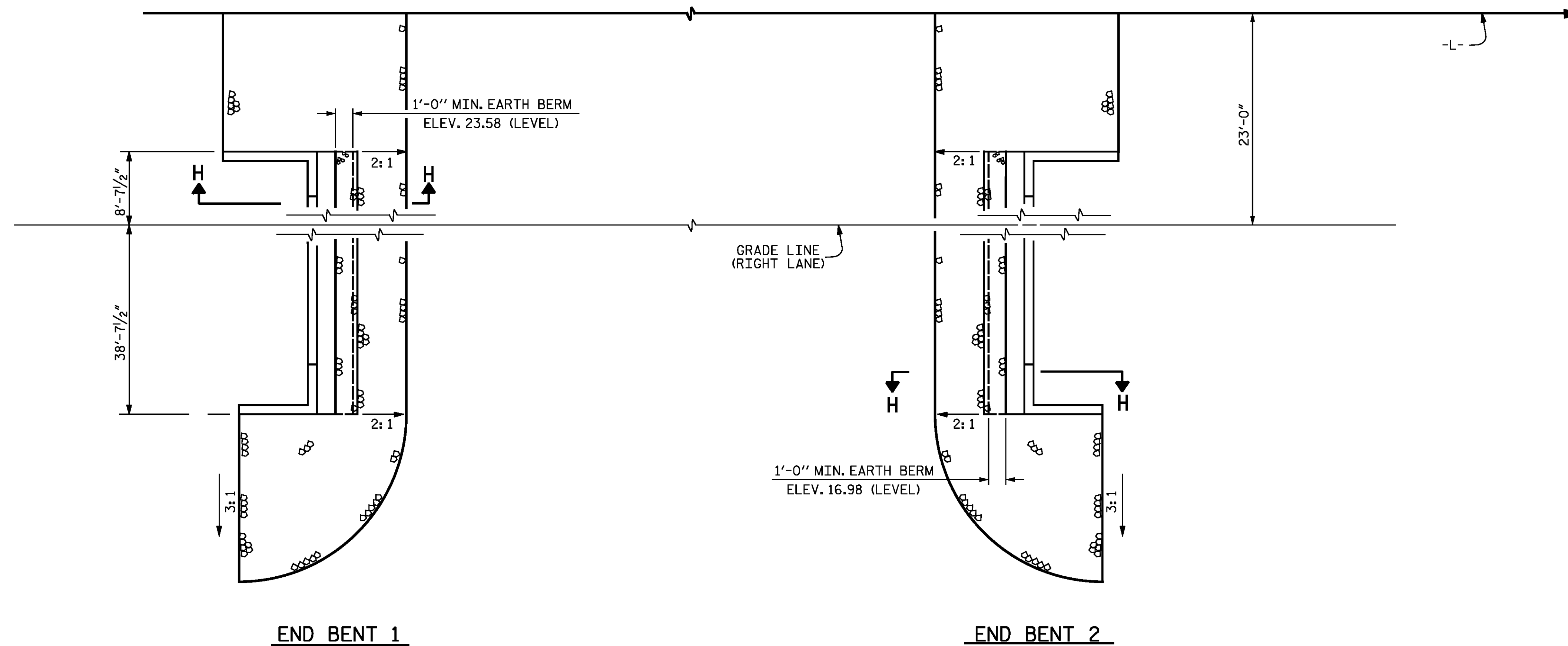
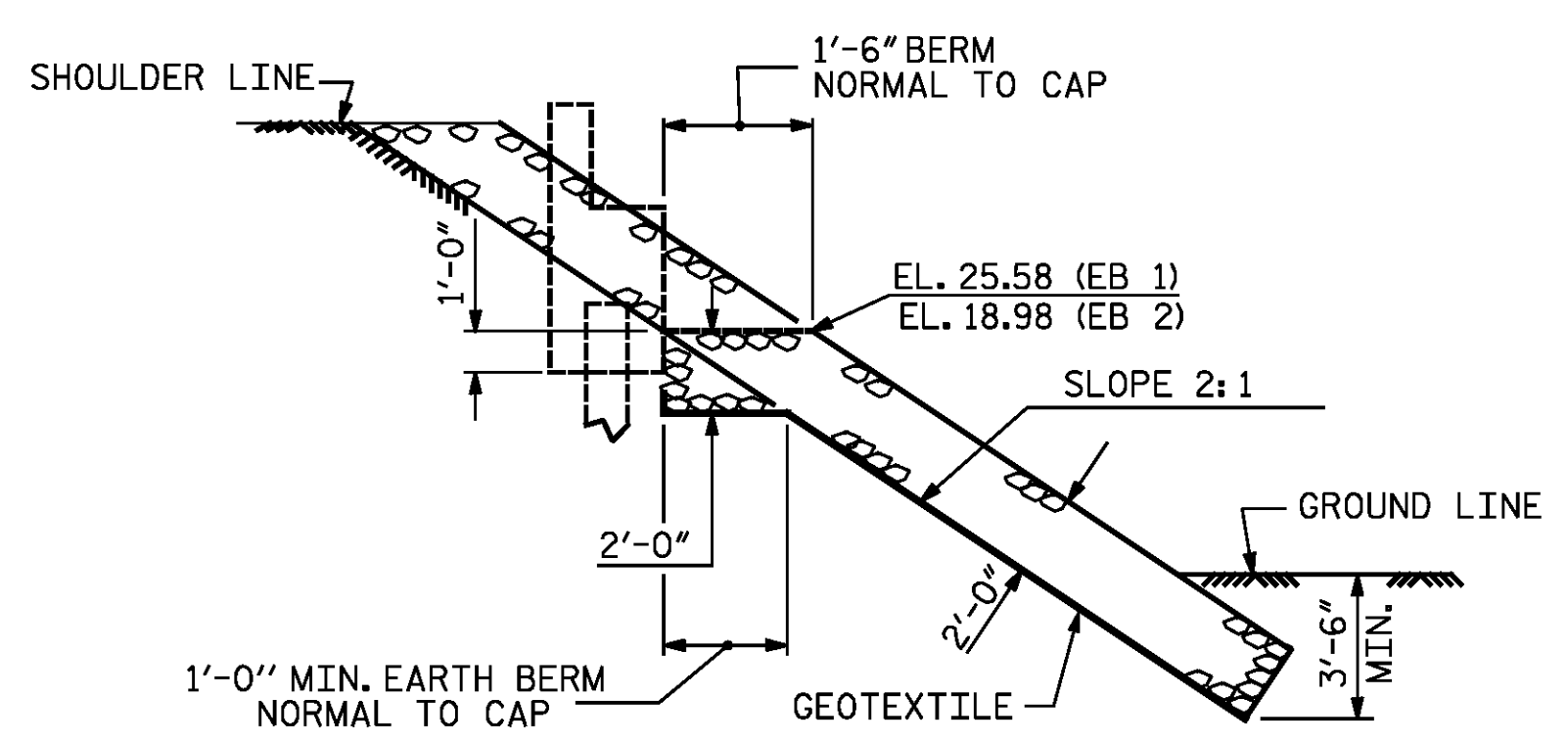


NOTES :  
FOR BERM WIDTH DIMENSIONS, SEE GENERAL DRAWING.

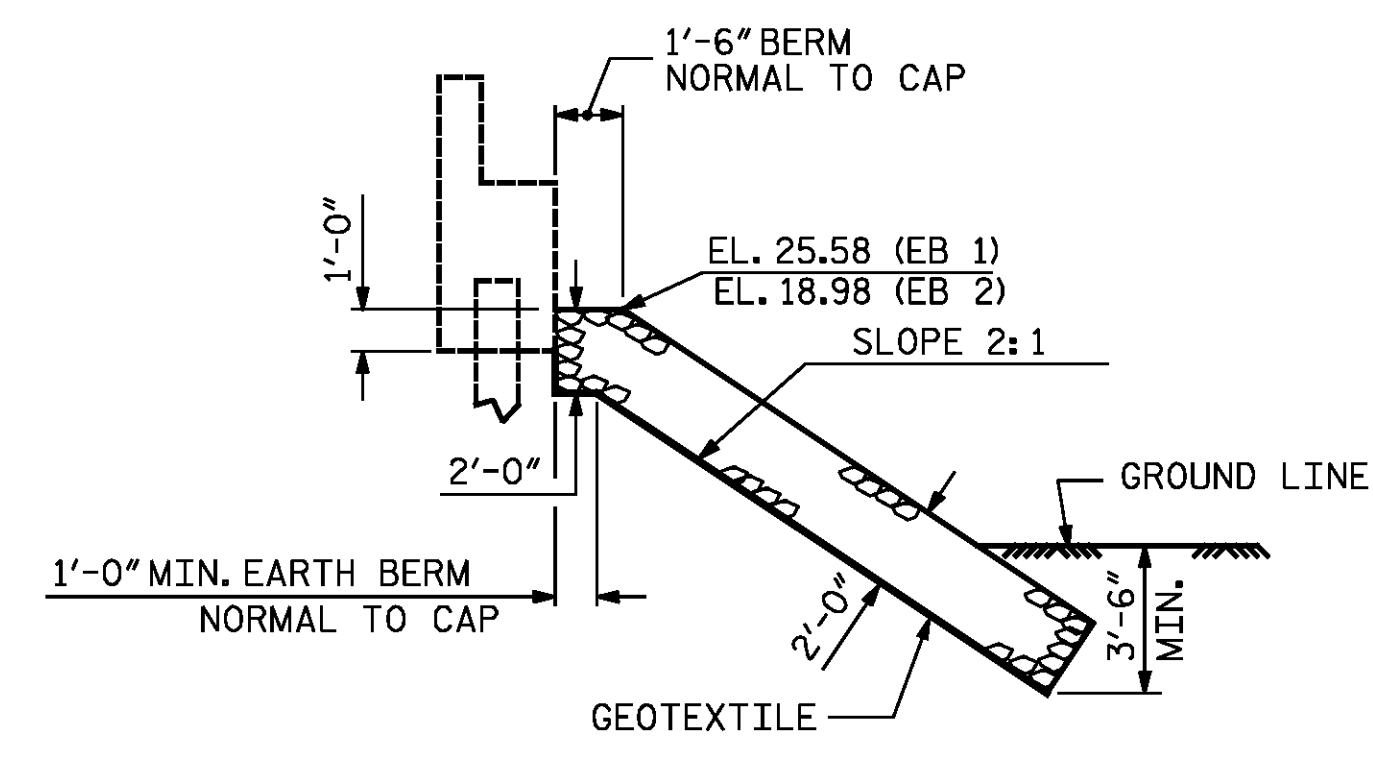


**PLAN**

ESTIMATED QUANTITIES		
BRIDGE @ STA. 373+02.50 -L-	RIP RAP CLASS II (2'-0" THICK)	GEOTEXTILE FOR DRAINAGE
	TONS	SQUARE YARDS
END BENT 1	630	700
END BENT 2	540	600



**SECTION H-H**



**SECTION  
BERM RIP RAPPED**

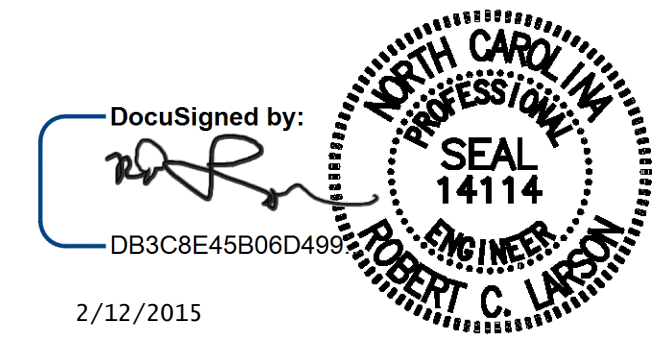
PROJECT NO. R-2514D  
JONES COUNTY  
STATION: 373+02.50 -L-

STATE OF NORTH CAROLINA  
DEPARTMENT OF TRANSPORTATION  
RALEIGH

**RIP RAP  
DETAILS**

RIGHT LANE

STD. NO. RR1 STR-#6



DocuSigned by:  
DB3C8E45B06D499

DESIGN ENGINEER OF RECORD: DATE : 2/12/2015

DRAWN BY : E. C. DECOLA DATE : 04/01/14  
CHECKED BY : R. C. LARSON DATE : 04/03/14

NO.		BY:		DATE:		REVISIONS		SHEET NO.	
1						3		S06-32	TOTAL SHEETS
2						4		S06-34	

DWG. REF. NO. 32 OF 34