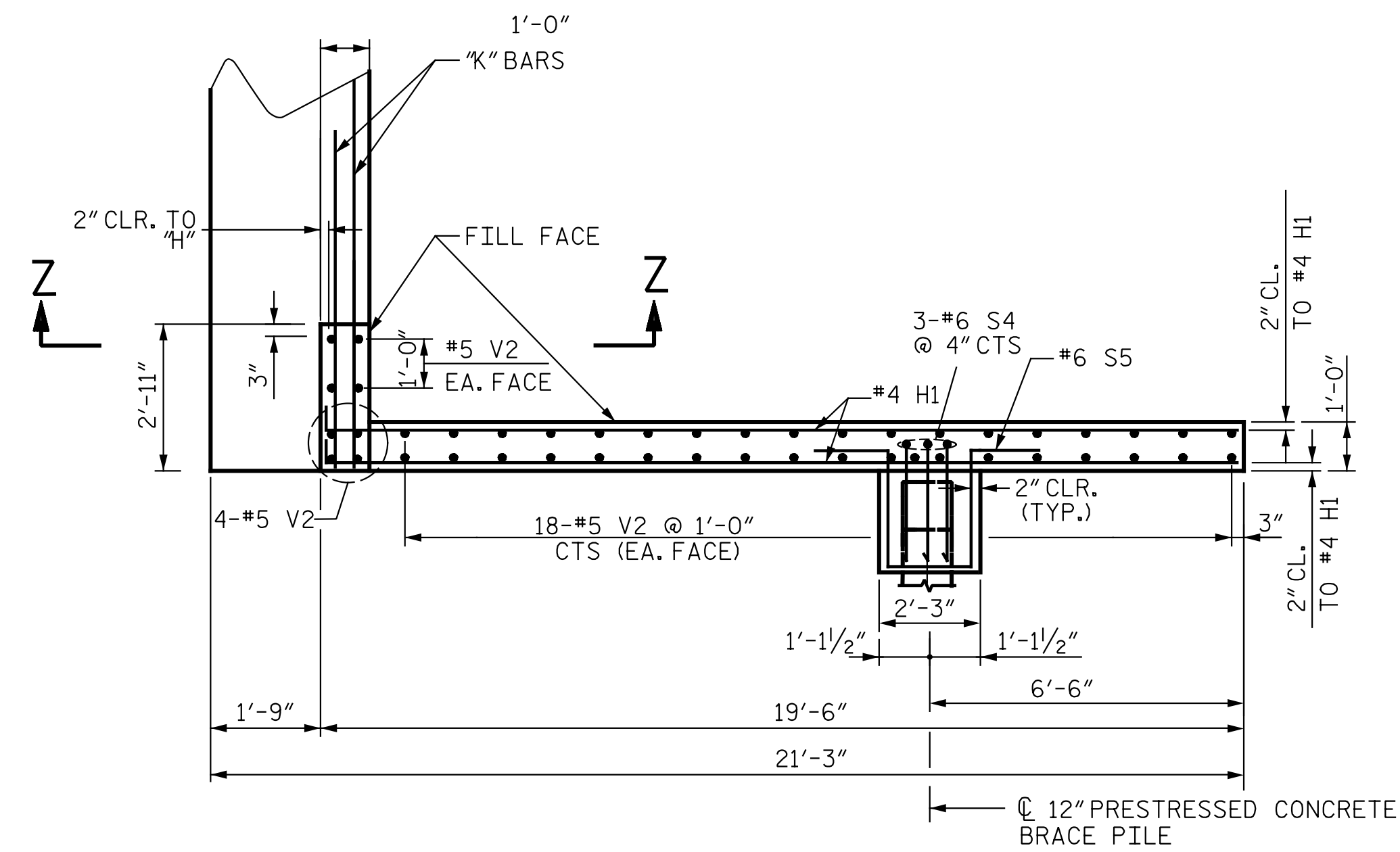
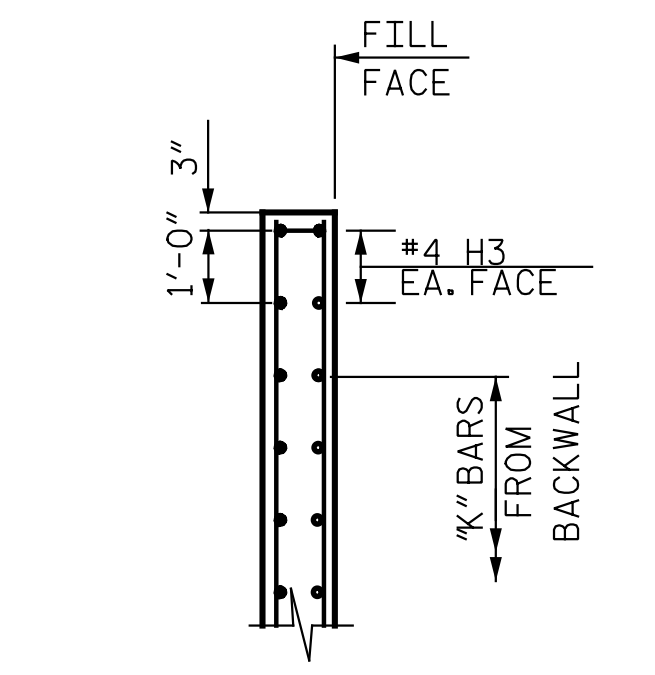


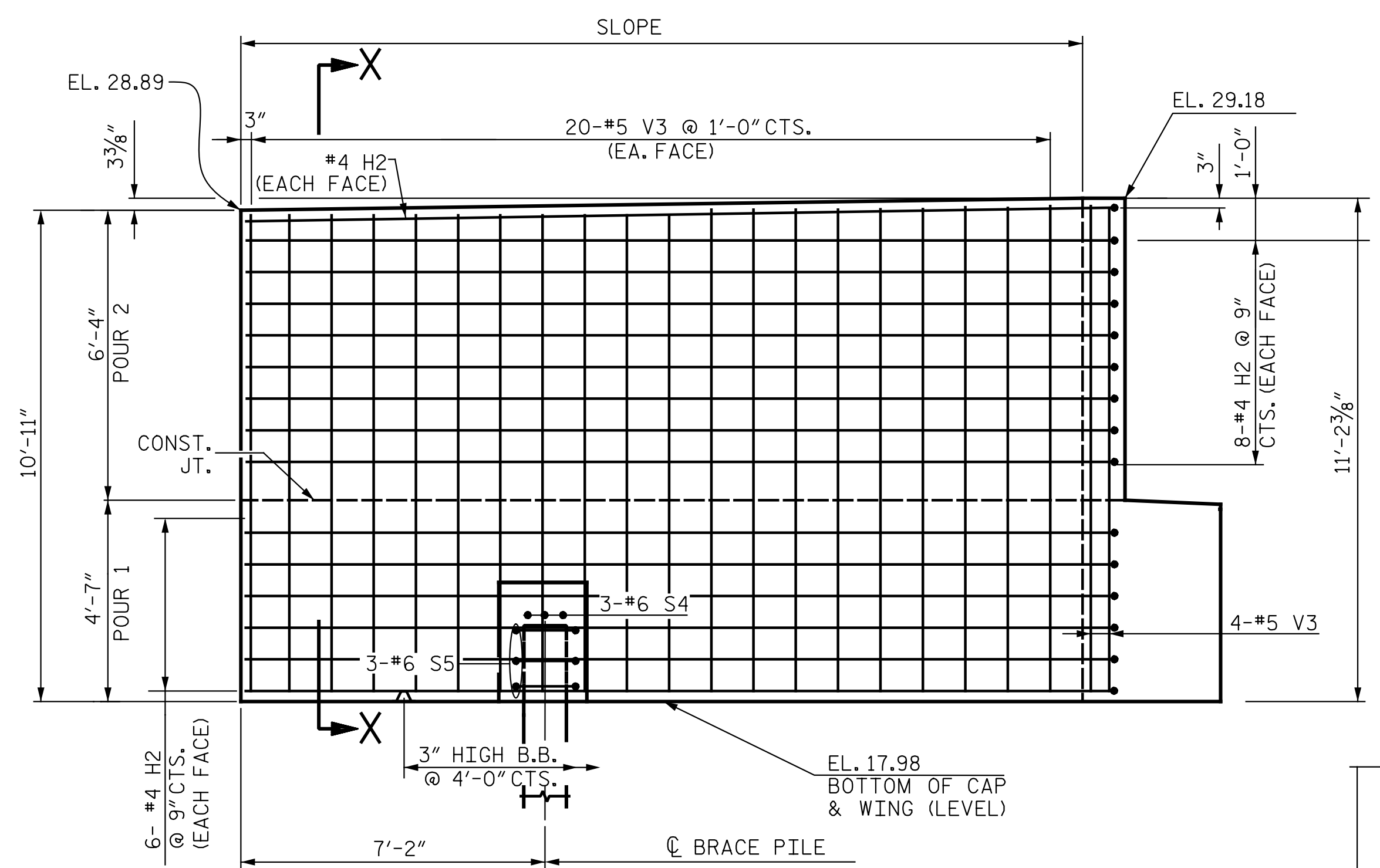
PLAN W1



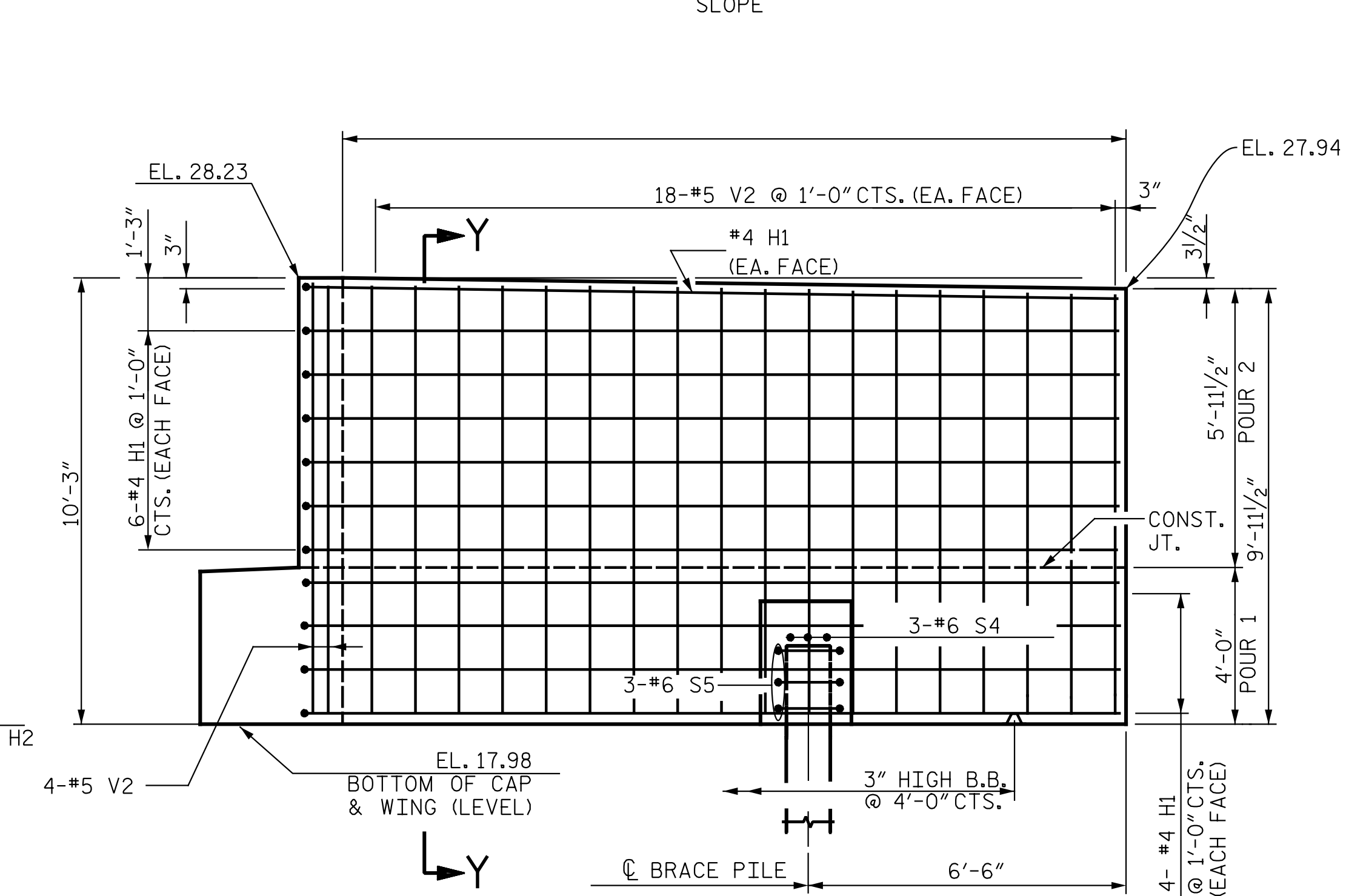
PLAN W2



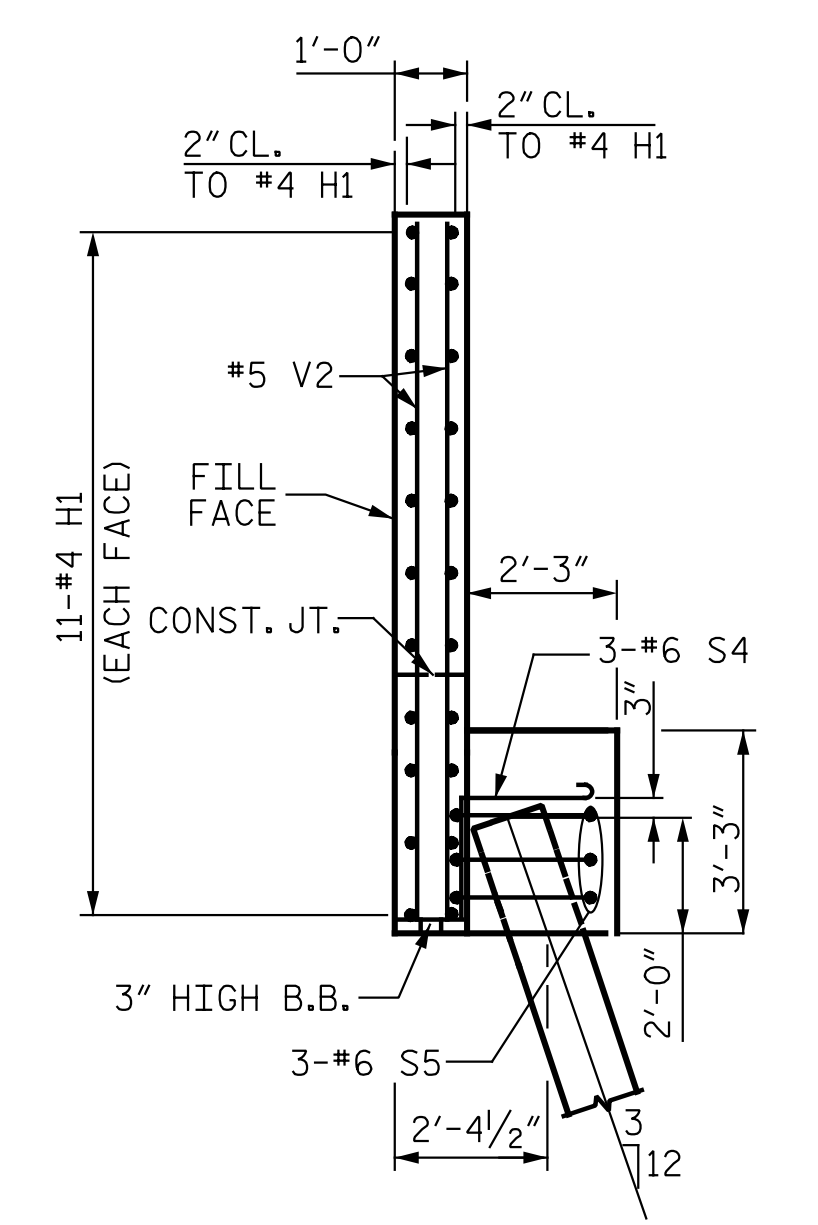
SECTION Z-Z



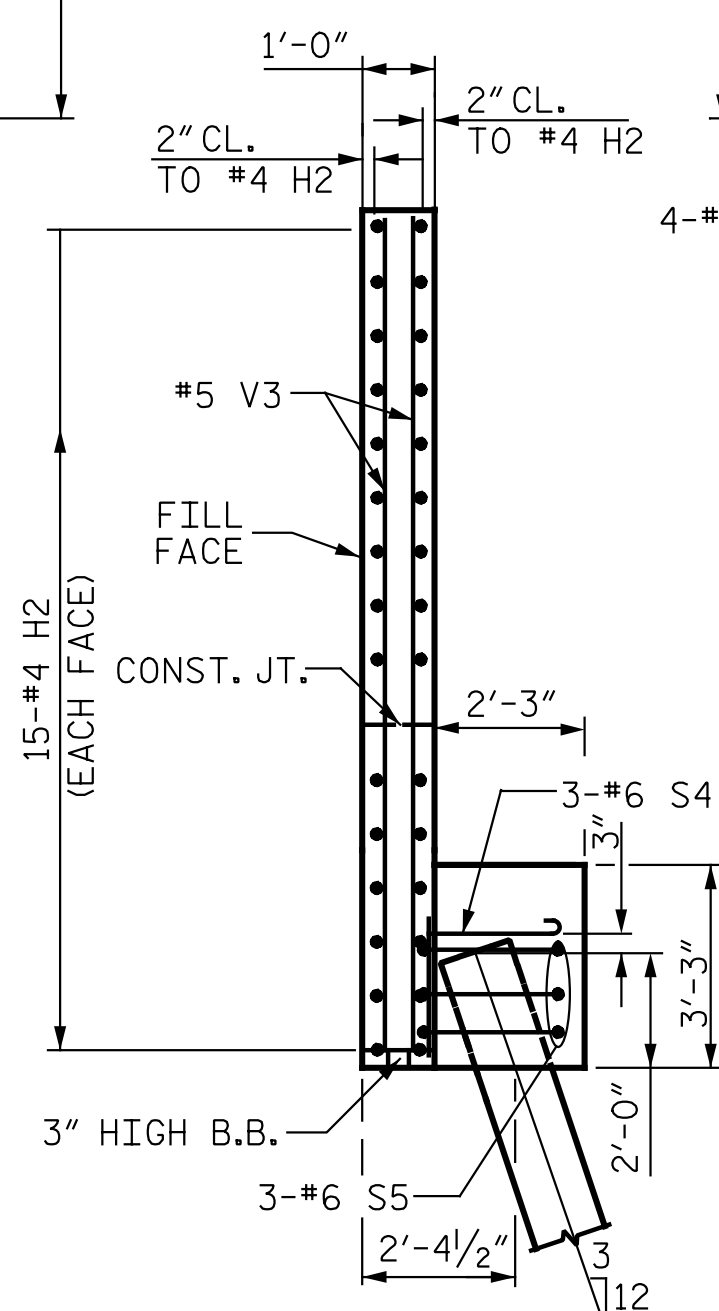
ELEVATION W1



ELEVATION W2



SECTION Y-Y



SECTION X-X

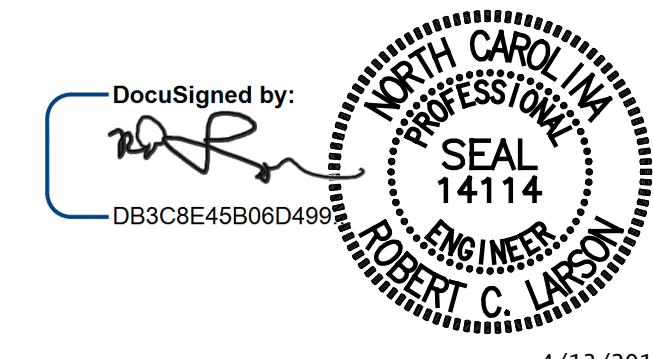
PROJECT NO. R-2514D
JONES COUNTY
 STATION: 373+02.50 -L-

SHEET 2 OF 3

STATE OF NORTH CAROLINA
 DEPARTMENT OF TRANSPORTATION
 RALEIGH

**SUBSTRUCTURE
 END BENT 2**

RIGHT LANE STR-#6



KCI Associates
 of North Carolina, P.A.
 DWG. REF. NO. 28 OF 34

DESIGN ENGINEER OF RECORD:	DATE :	4/13/2015
DRAWN BY :	DATE :	03/06/14
CHECKED BY :	DATE :	04/02/14

REVISIONS					
NO.	BY:	DATE:	NO.	BY:	DATE:
1			3		
2			4		

SHEET NO.	S06-28
TOTAL SHEETS	S06-34