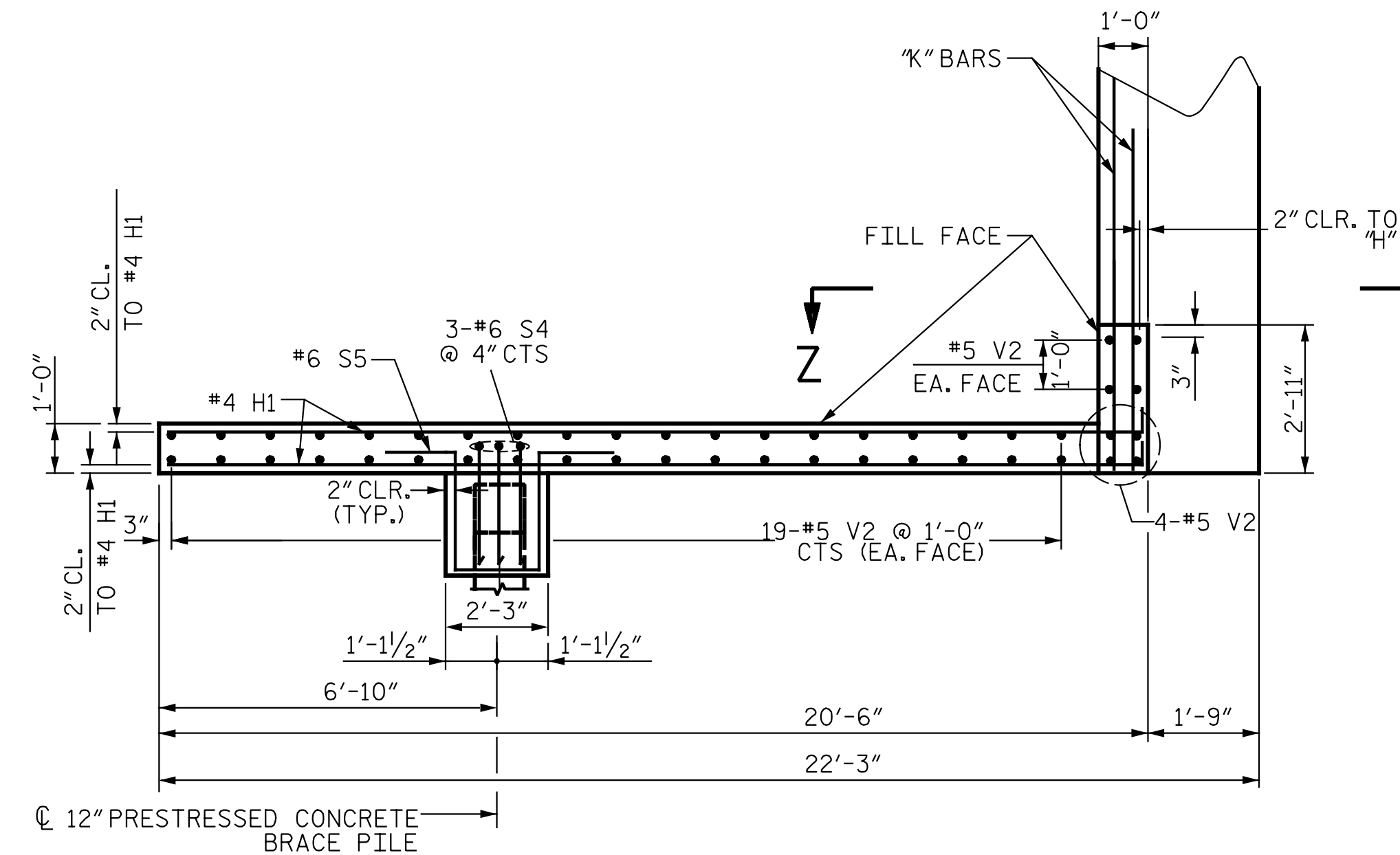
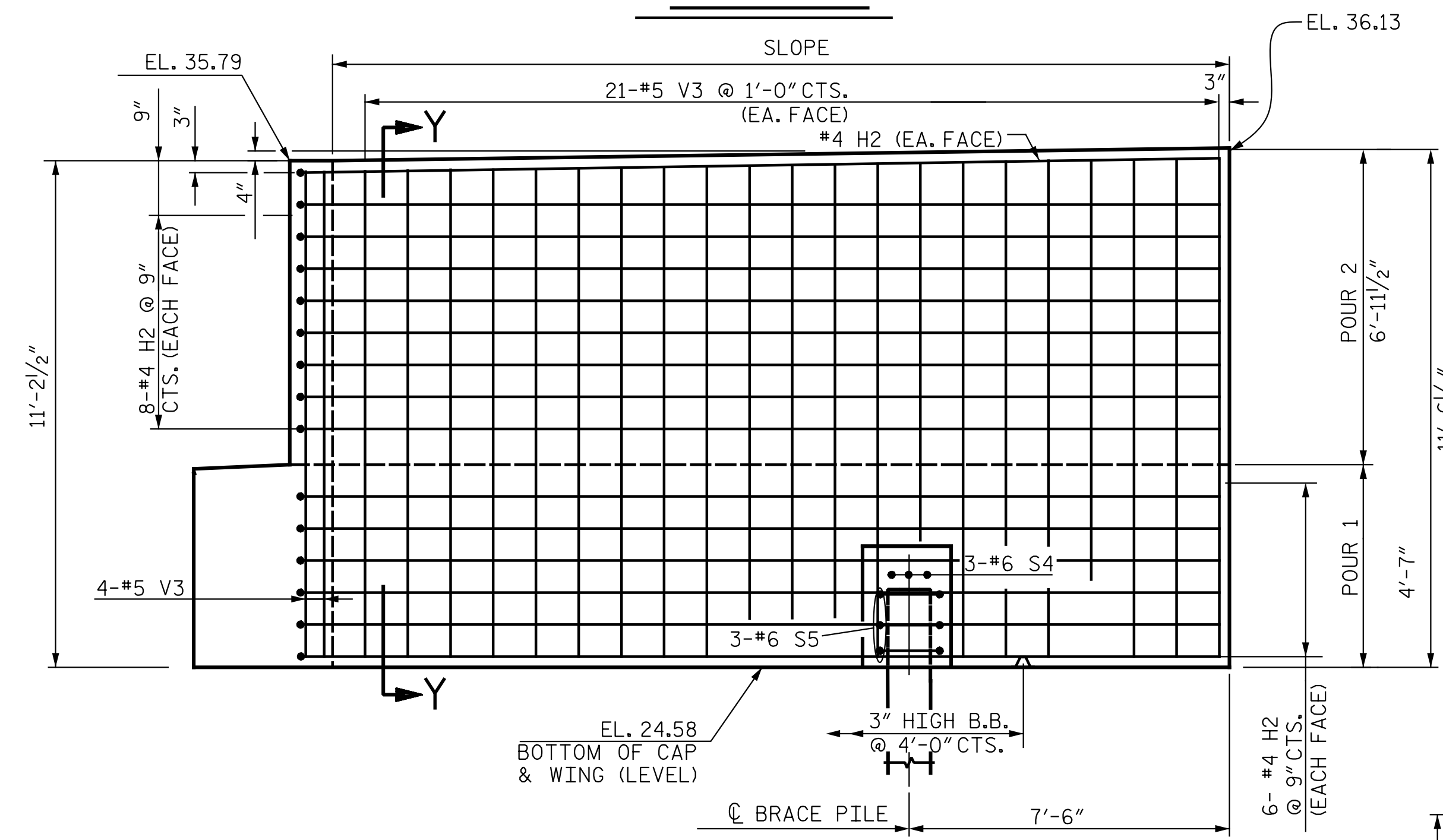


PLAN W1

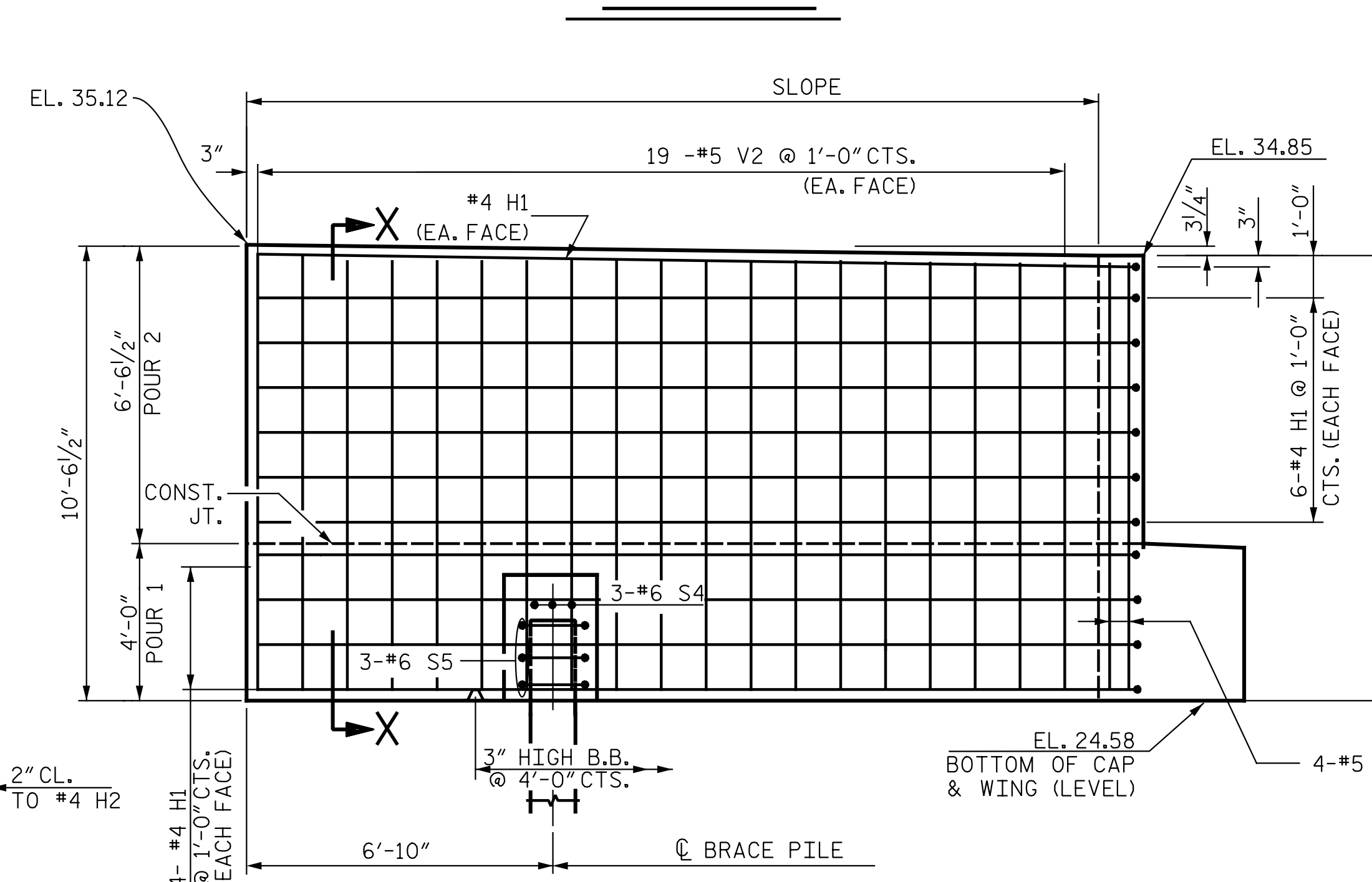


PLAN W2

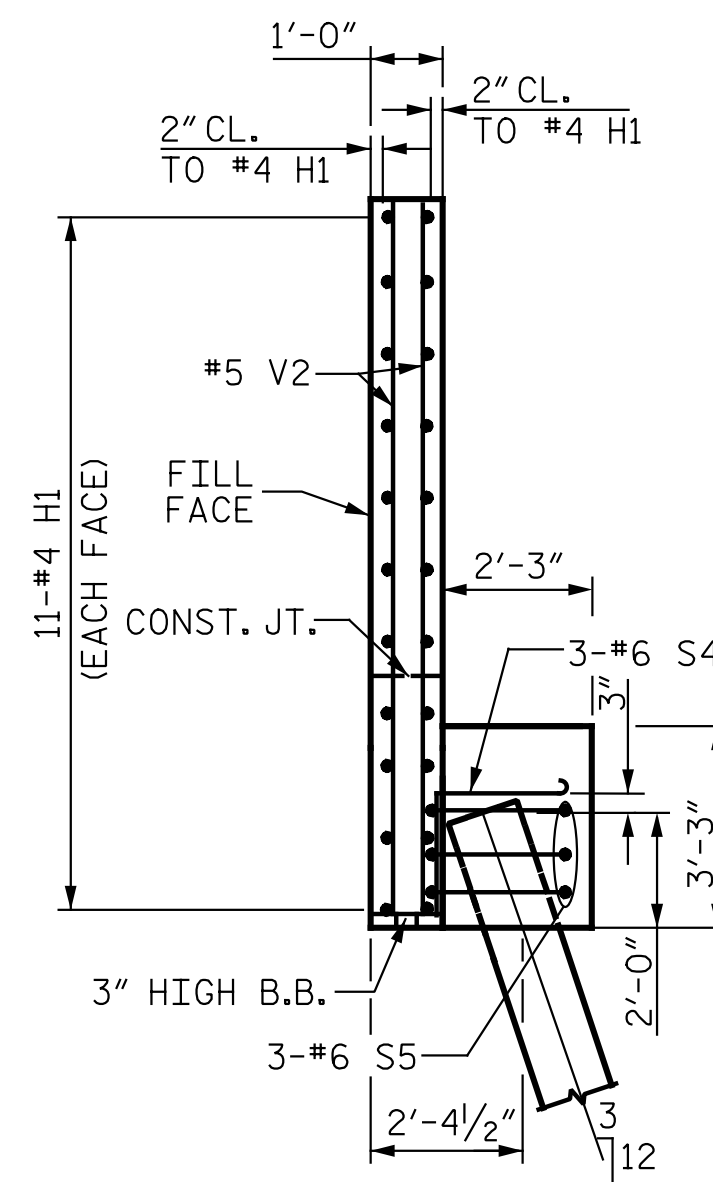
SECTION Z-Z



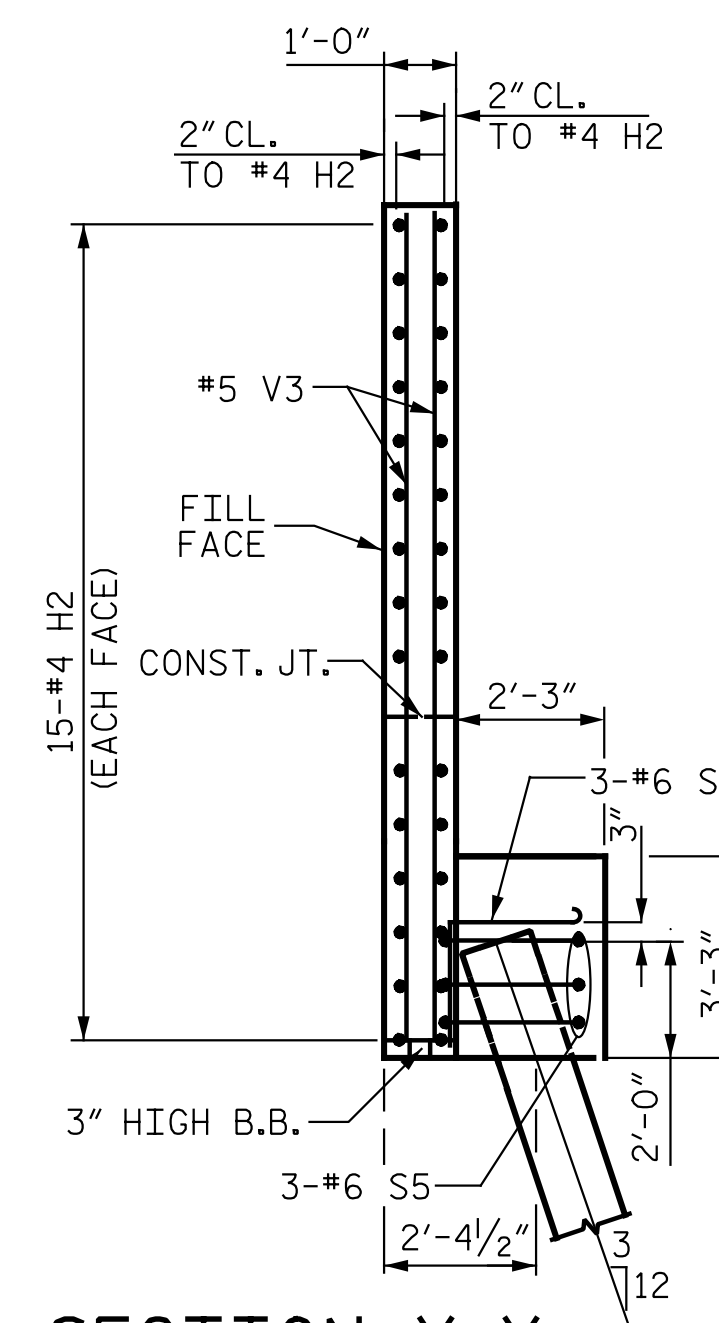
ELEVATION W1



ELEVATION W2



SECTION X-X



SECTION Y-Y

PROJECT NO. R-2514D
JONES COUNTY
 STATION: 373+02.50 -L-

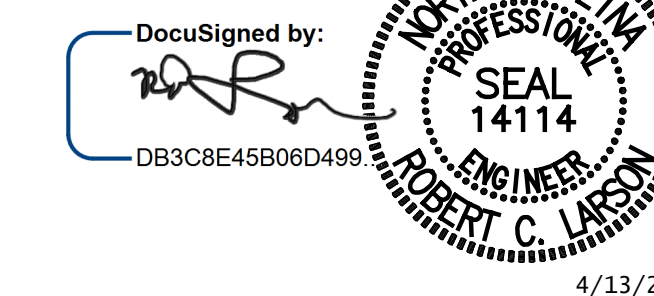
SHEET 2 OF 3

STATE OF NORTH CAROLINA
 DEPARTMENT OF TRANSPORTATION
 RALEIGH

SUBSTRUCTURE
 END BENT 1

RIGHT LANE

STR-#6



DocuSigned by:
 DB3C8E45B06D499
 4/13/2015

KCI Associates
 of North Carolina, P.A.
 DWG. REF. NO. 23 OF 34

REVISIONS		SHEET NO.	
NO.	DATE	NO.	DATE
1		3	
2		4	

DESIGN ENGINEER OF RECORD: DATE: 4/13/2015
 DRAWN BY: E. C. DECOLA DATE: 03/19/14
 CHECKED BY: R. C. LARSON DATE: 04/02/14