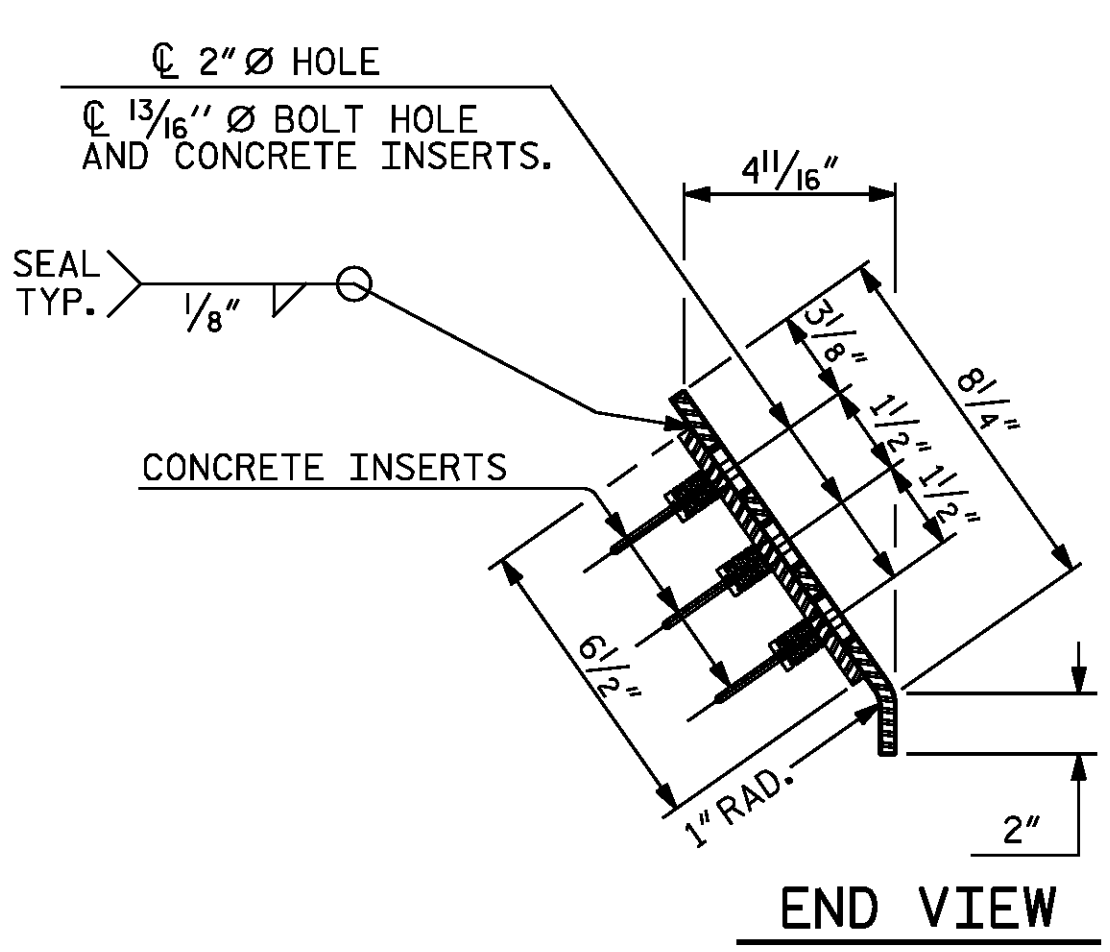
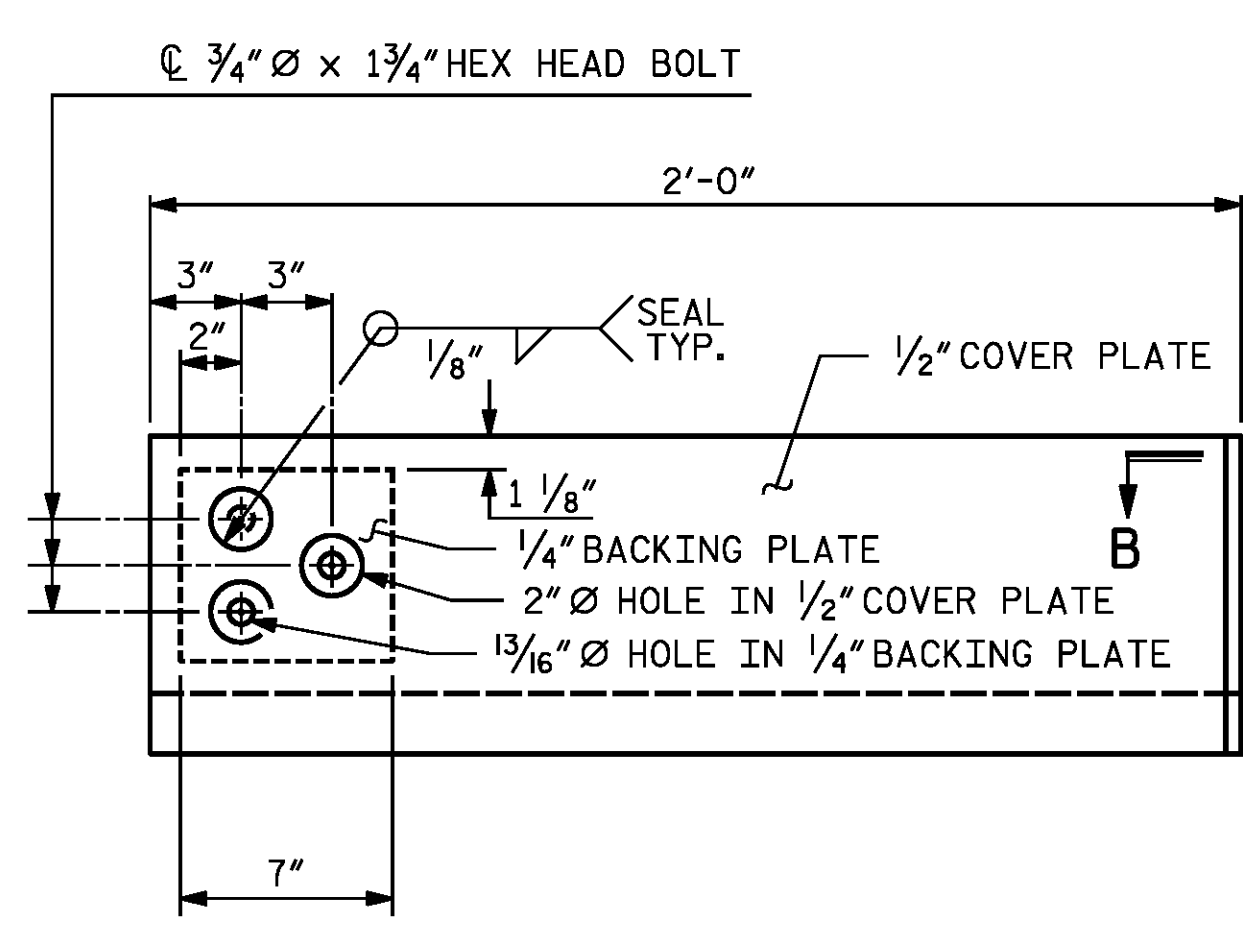


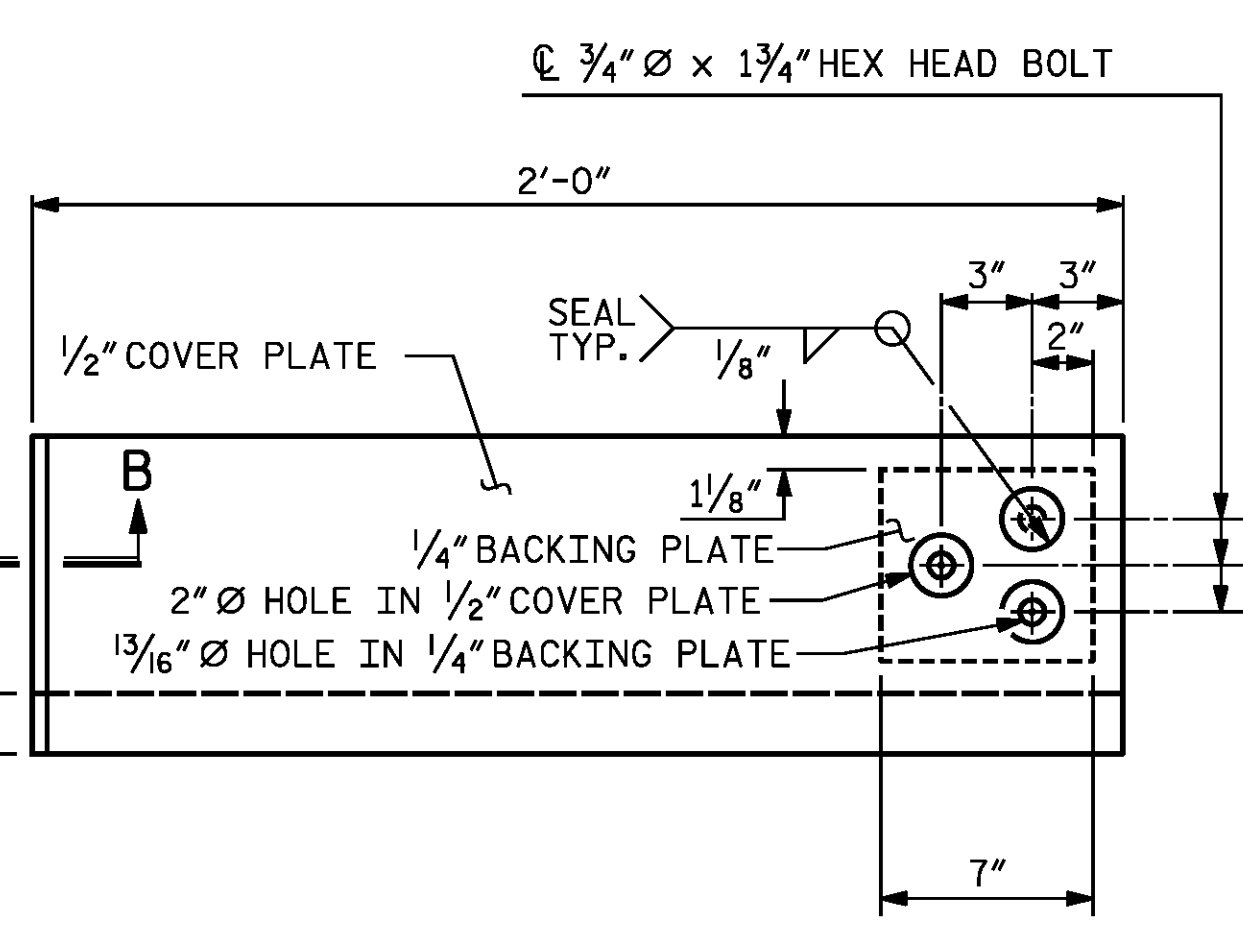
SECTION THRU RAIL NORMAL TO JOINT



END VIEW

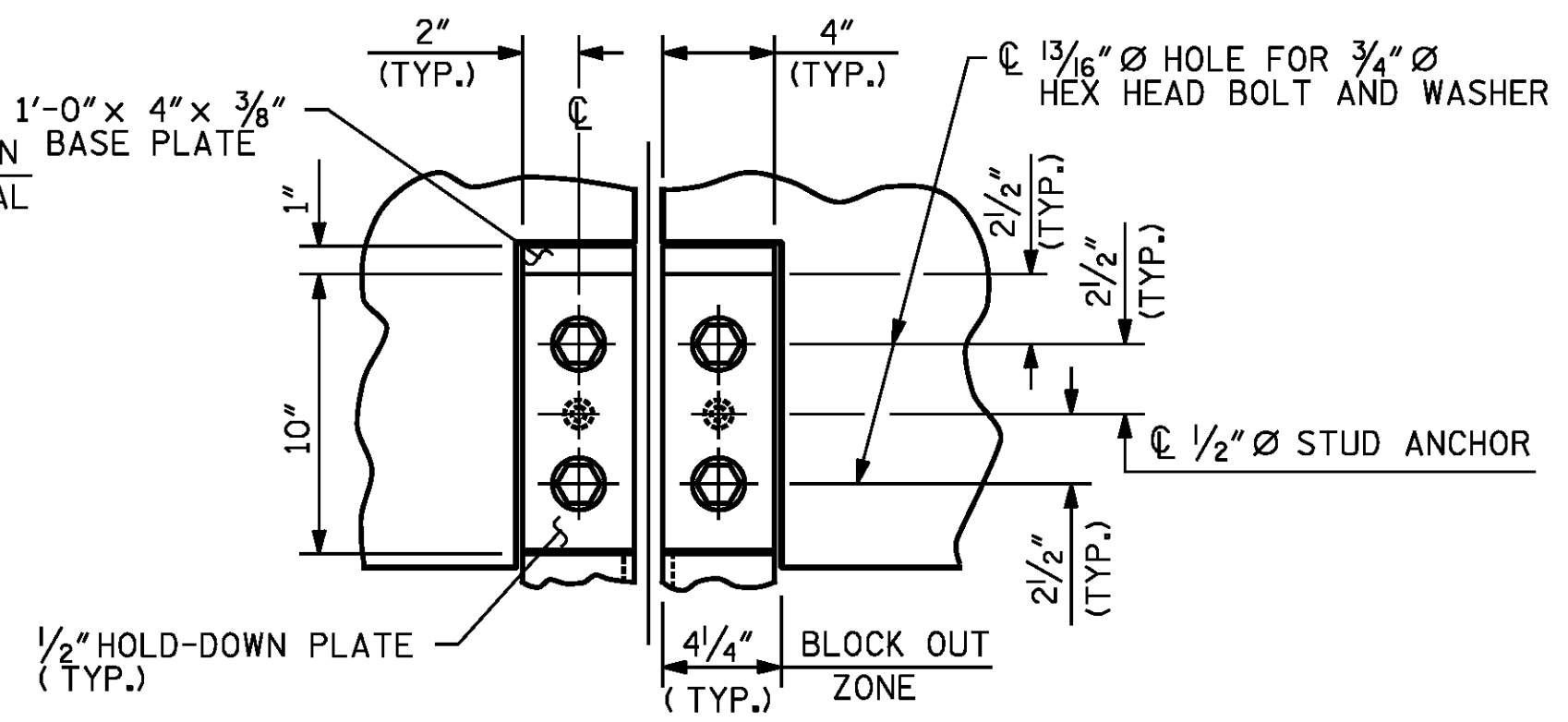


TYPE I - ELEVATION VIEW

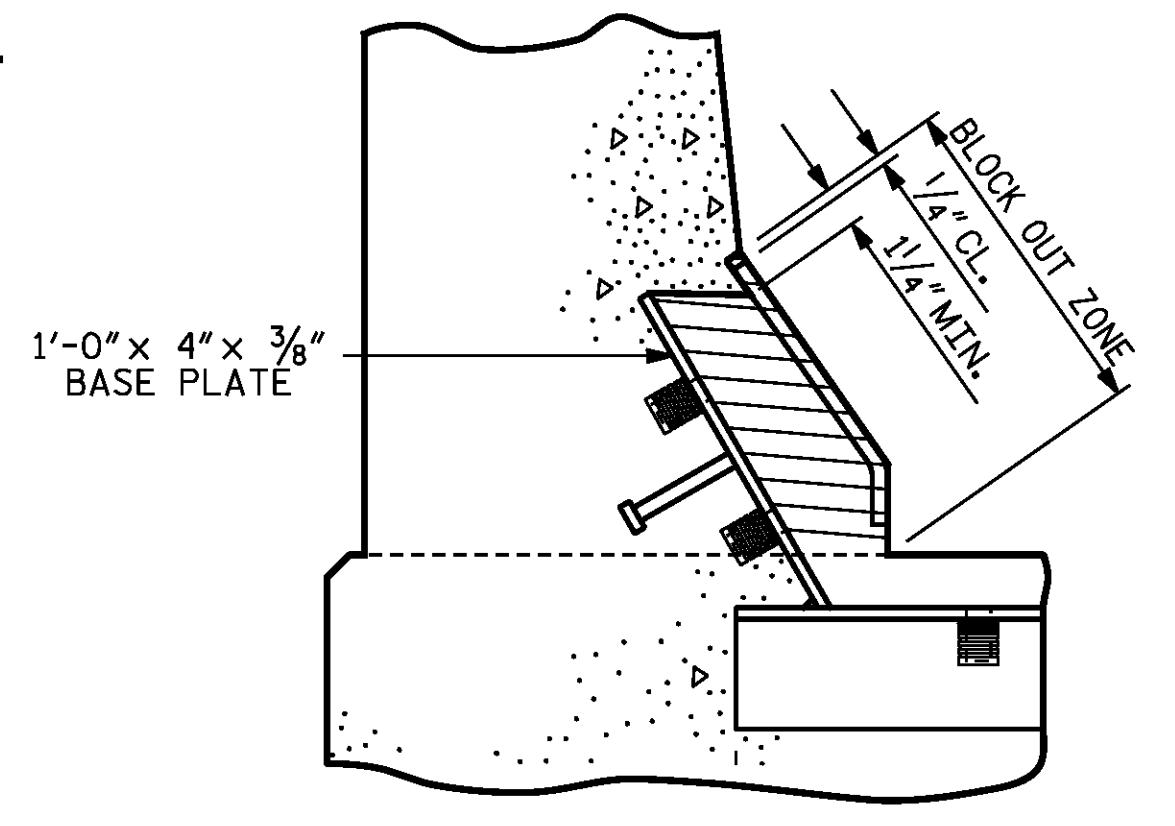


TYPE II - ELEVATION VIEW

COVER PLATE DETAILS

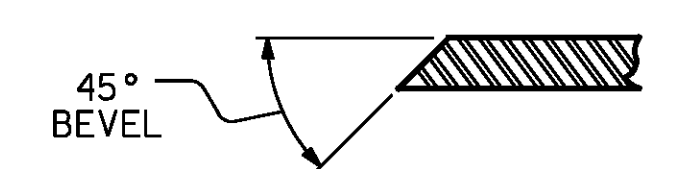


SECTION A - A

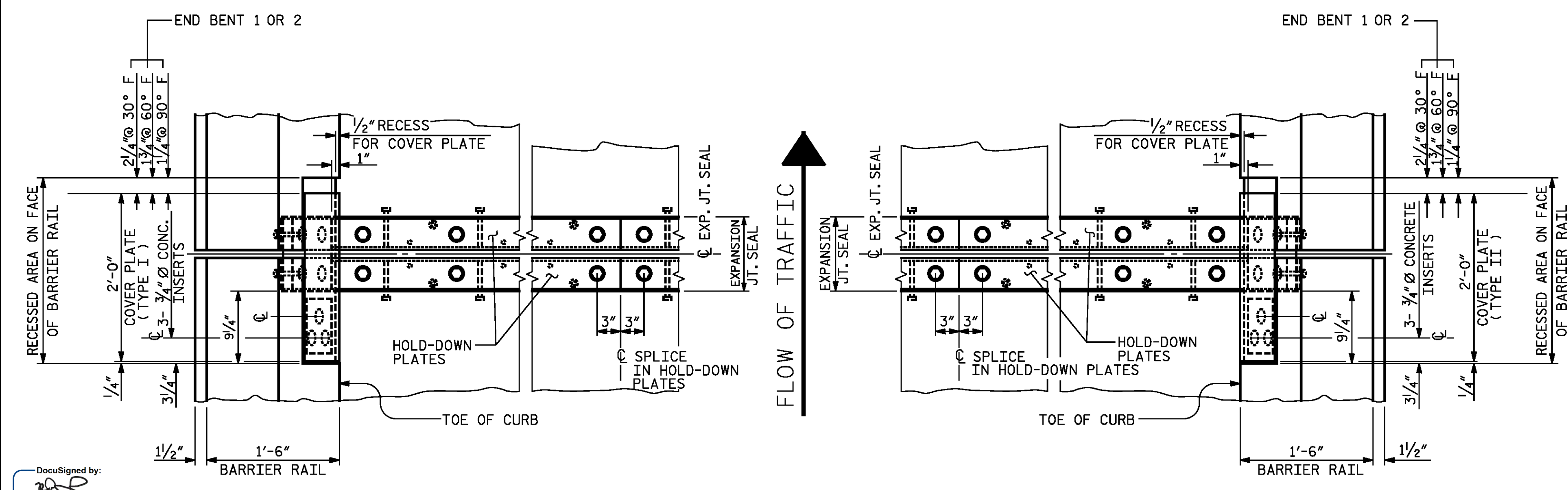


BLOCK OUT DETAIL

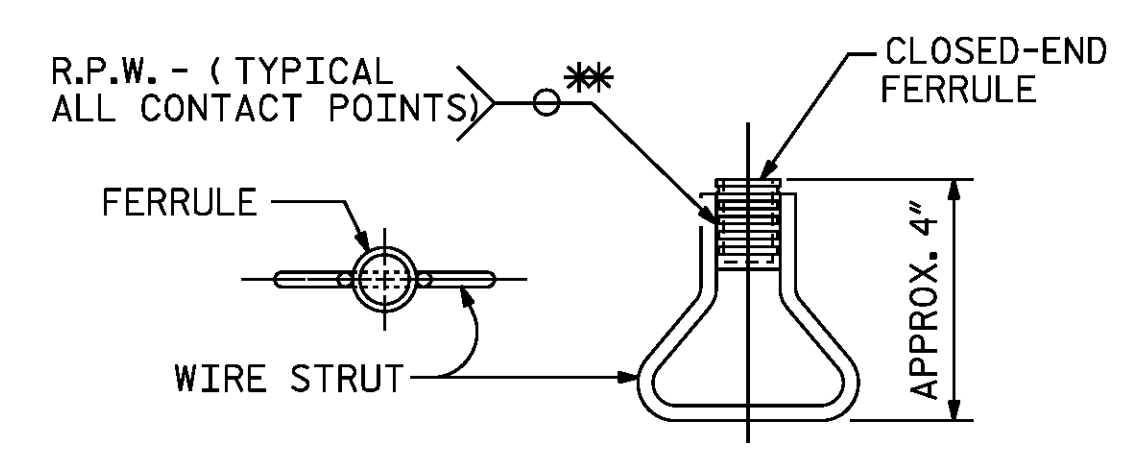
SEE "SECTION A - A" FOR OTHER DETAILS.



SECTION B - B



PLAN OF EXPANSION JOINT SEAL

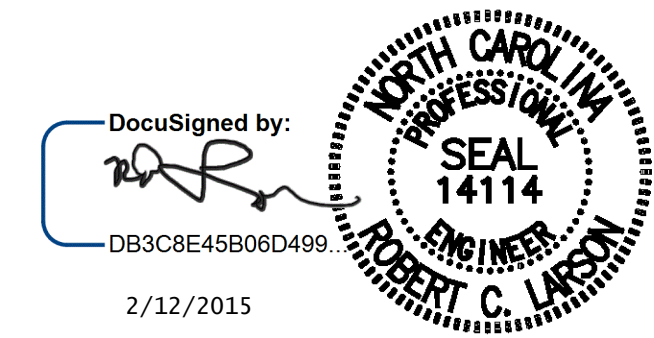


CONCRETE INSERT

* EACH WELDED ATTACHMENT OF WIRE TO FERRULE SHALL DEVELOP THE TENSILE STRENGTH OF THE WIRE.

DocuSigned by: DB3C8E45B08D499...

DESIGN ENGINEER OF RECORD:	DATE: 2/12/2015
ASSEMBLED BY: Z. SU	DATE: 02/14/14
CHECKED BY: R. C. LARSON	DATE: 03/14/14
DRAWN BY: REK 9/87	REV. 10/1/11 MAA/GM
CHECKED BY: CRK 10/87	REV. 7/12 MAA/GM
	REV. 6/13 MAA/GM



PROJECT NO. R-2514D
JONES COUNTY
 STATION: 373+02.50 -L-
 SHEET 2 OF 2

STATE OF NORTH CAROLINA DEPARTMENT OF TRANSPORTATION RALEIGH		EXPANSION JOINT SEAL DETAILS FOR BARRIER RAIL		STANDARD NO. EJS2	RIGHT LANE	STR-#6
REVISIONS						
NO.	BY:	DATE:	NO.	BY:	DATE:	SHEET NO.
1			3			S06-20
2			4			TOTAL SHEETS S06-34

KCI Associates of North Carolina, P.A.
 DWG. REF. NO. 20 OF 34