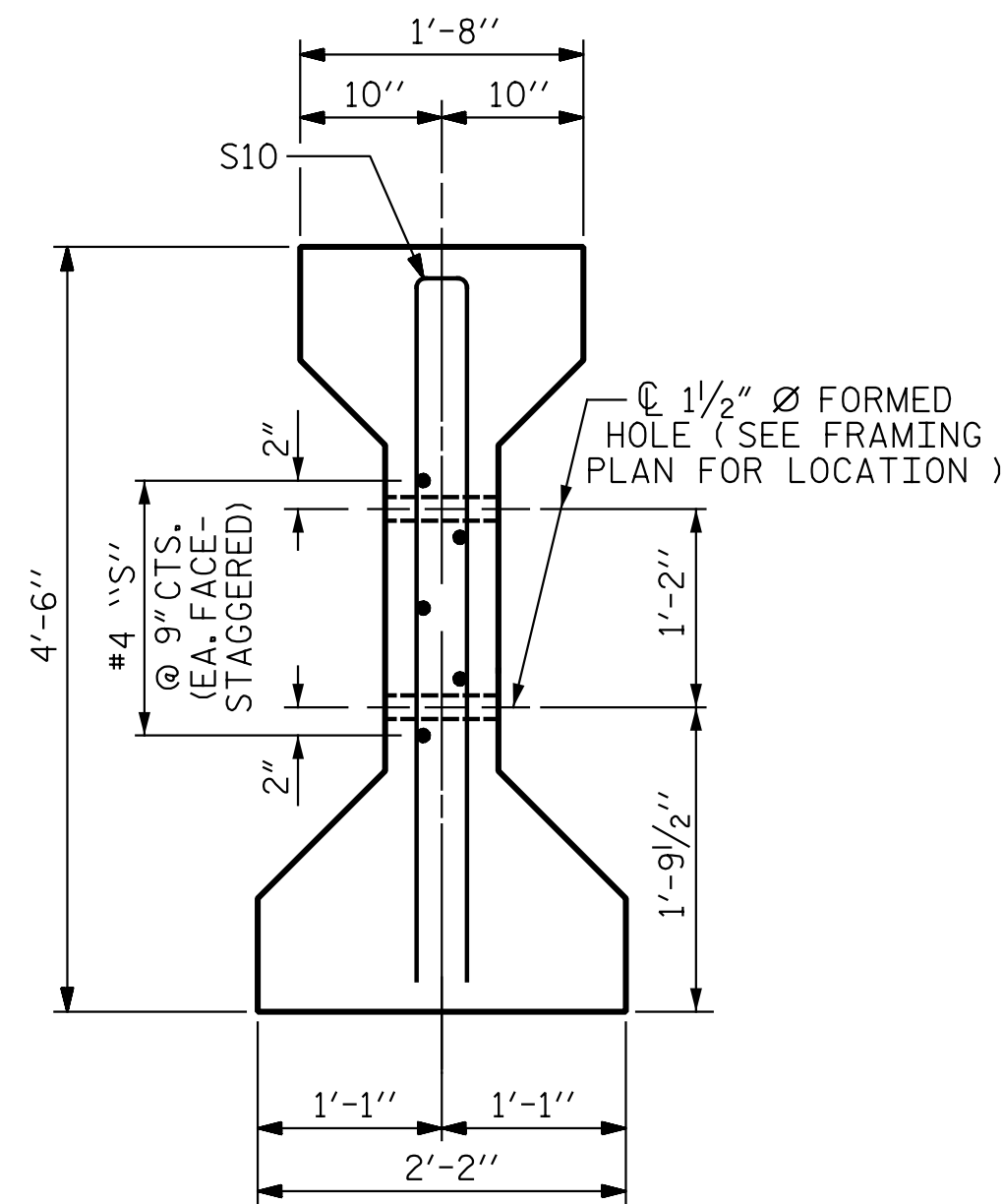


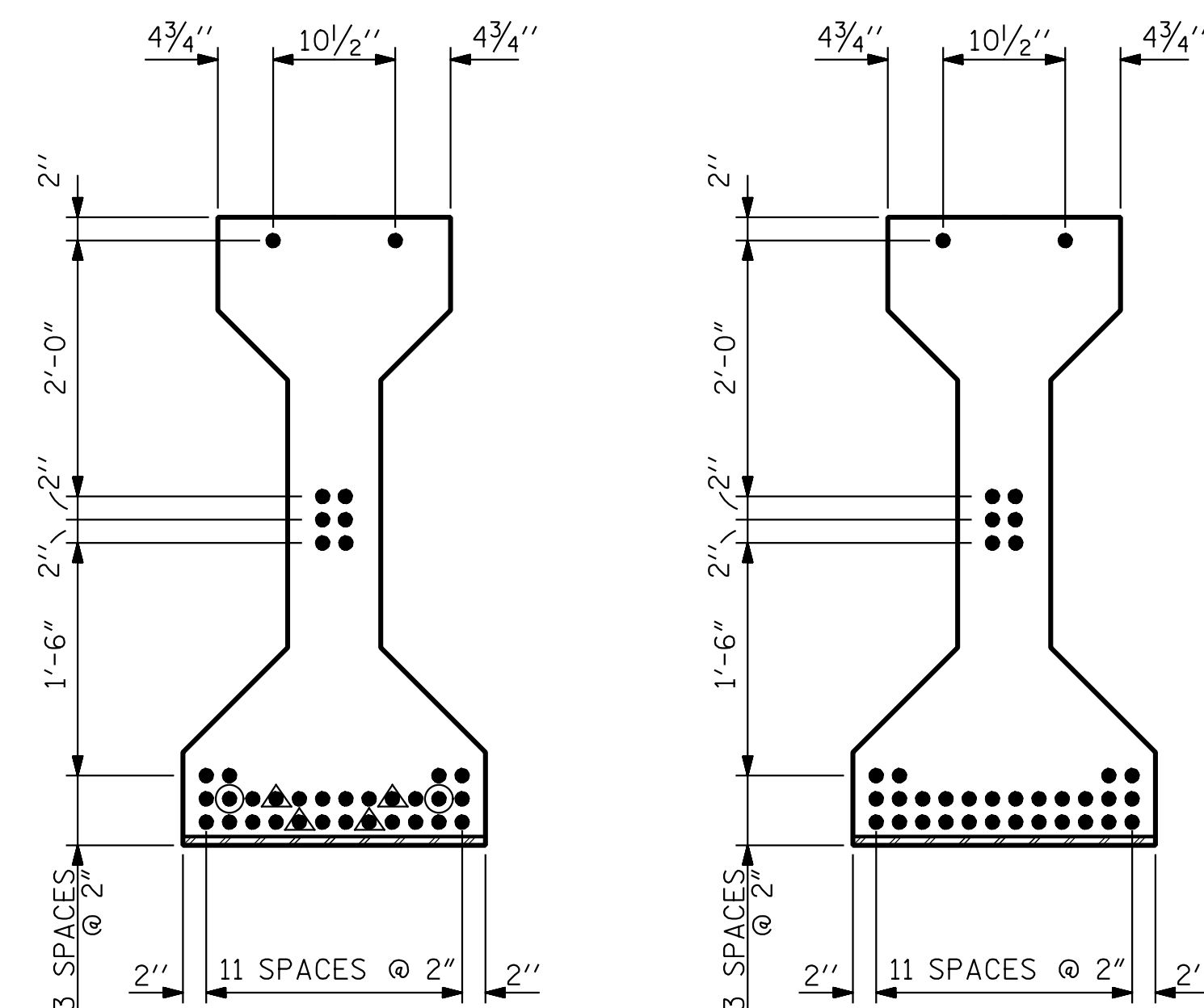
SECTION A-A

* FOR S7 BARS, SEE
DETAIL "A" OF
PRESTRESSED
CONCRETE GIRDER
CONTINUOUS FOR LIVE
LOAD DETAILS SHEET



SECTION B-B

(S1 BARS NOT SHOWN)



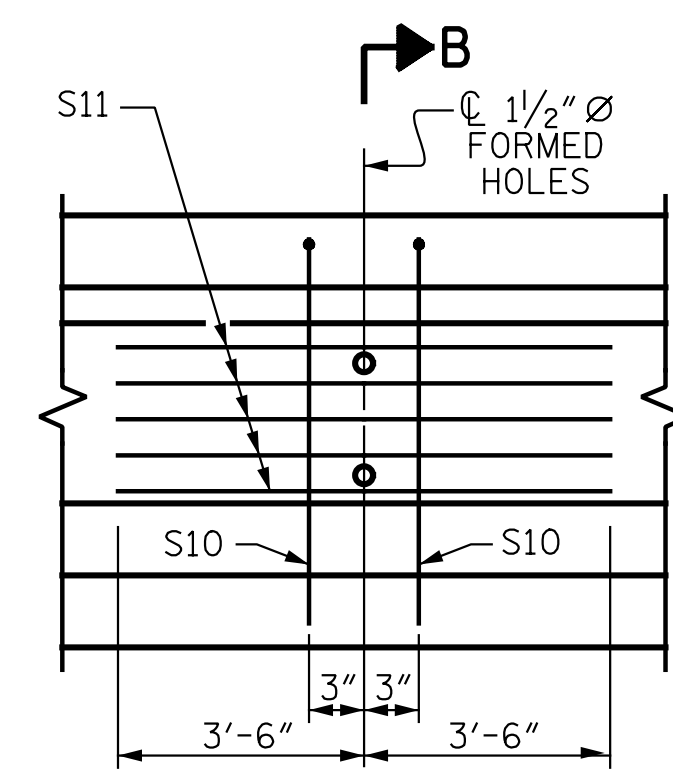
AT END OF GIRDER

AT C OF GIRDER

0.6" Ø LOW RELAXATION STRAND LAYOUT

DEBONDING LEGEND

- FULLY BONDED STRAND
- ▲ STRANDS DEBONDED FOR 4'-0" FROM END OF GIRDER
- ⊙ STRANDS DEBONDED FOR 6'-0" FROM END OF GIRDER



PARTIAL ELEVATION

SHOWING INTERMEDIATE DIAPHRAGM REINFORCING STEEL

0.6" Ø L. R. GRADE 270 STRANDS

AREA (SQUARE INCHES)	ULTIMATE STRENGTH (LBS. PER STRAND)	APPLIED PRESTRESS (LBS. PER STRAND)
0.217	58,600	43,950

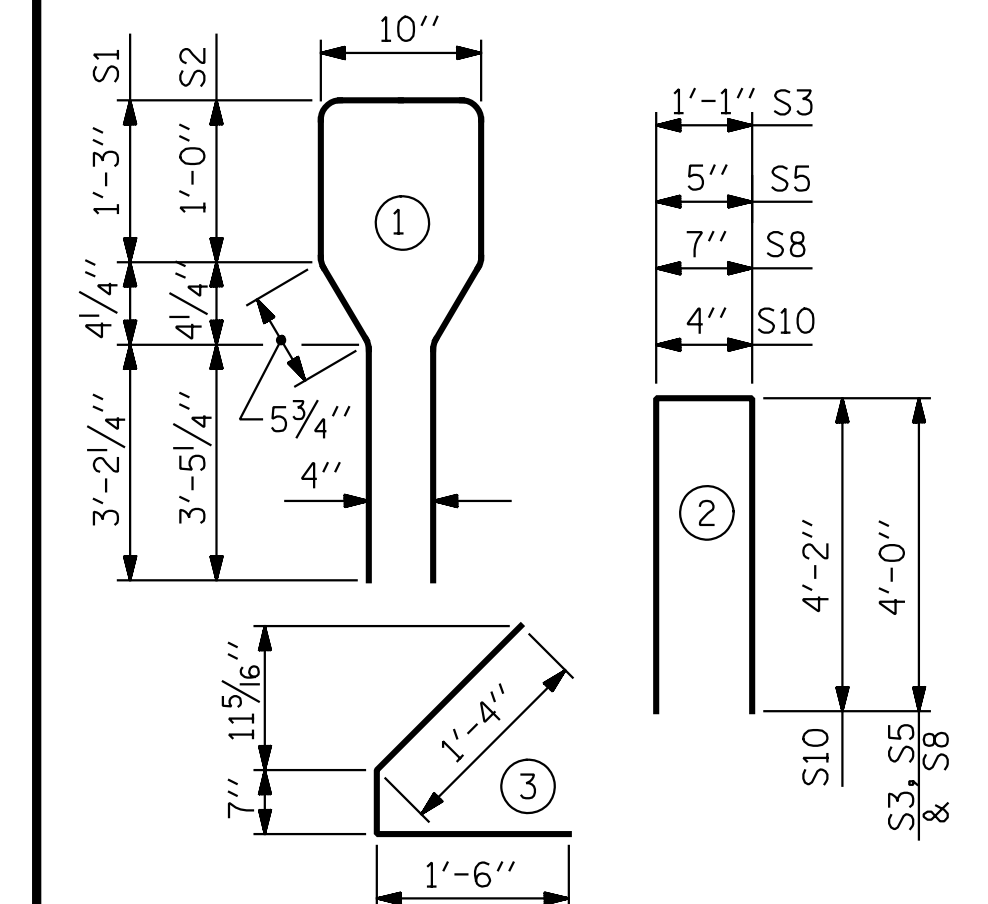
REINFORCING STEEL FOR ONE GIRDER

BAR	NUMBER	SIZE	TYPE	LENGTH	WEIGHT
S1	108	#4	1	10'-8"	770
S2	12	#6	1	10'-8"	192
S3	4	#4	2	9'-1"	24
S4	88	#4	3	3'-5"	201
S5	6	#4	2	8'-5"	34
S6	1	#4	2	9'-11"	7
*S7	12	#5	STR	3'-8"	46
S8	4	#4	2	8'-7"	23
S9	2	#3	STR	1'-10"	1
S10	2	#5	2	8'-8"	18
S11	5	#4	STR	7'-0"	23

* NOTE: S7 BARS SHALL BE BENT BEFORE SHIPMENT. HEAT BENDING SHALL NOT BE ALLOWED.

BAR TYPES

ALL BAR DIMENSIONS ARE OUT-TO-OUT



QUANTITIES FOR ONE GIRDER

REINFORCING STEEL LB.	8000 PSI CONCRETE C.Y.	0.6" Ø L. R. STRANDS No.
1332	19.0	36

GIRDERS REQUIRED

NUMBER	LENGTH	TOTAL LENGTH
SPAN B	4	93'-10"
SPAN C	4	93'-10"
SPAN D	4	93'-10"

PROJECT NO. R-2514D

JONES COUNTY

STATION: 373+02.50 -L-

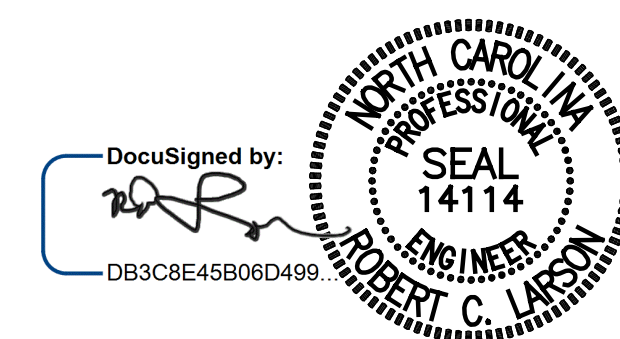
SHEET 2 OF 4

STATE OF NORTH CAROLINA
DEPARTMENT OF TRANSPORTATION
RALEIGH

STANDARD
AASHTO TYPE IV
PRESTRESSED CONCRETE GIRDER
SPAN B, C, OR D

RIGHT LANE STR-#6

STD. NO. PCG6

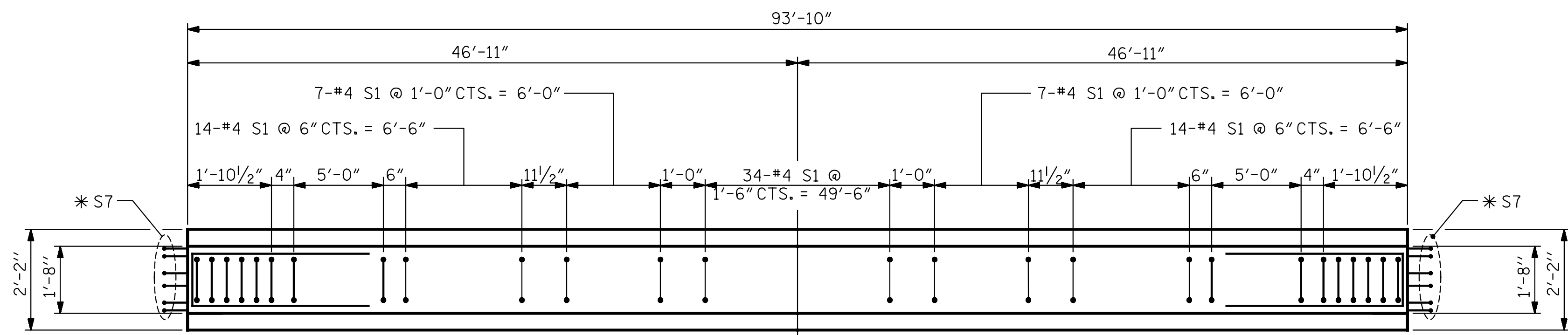


DocuSigned by:
DB3CBE45B06D499

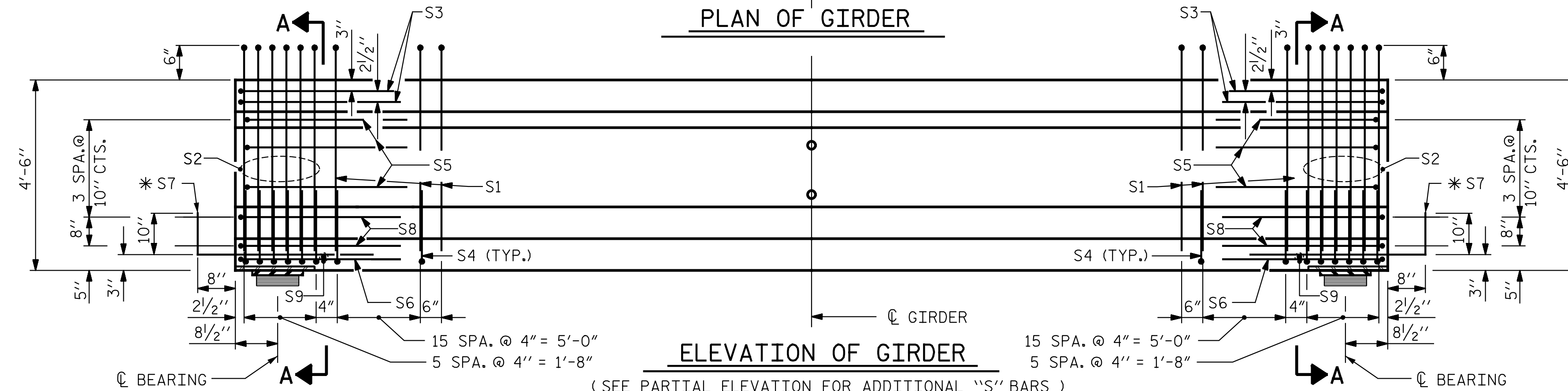
4/13/2015

KCI Associates
of North Carolina, P.A.
SUITES 220, LANDMARK CENTER #400 SIX FORKS RD, RALEIGH, N.C. 27609-5200 (919) 783-9244
DWG. REF. NO. 13 OF 34

REVISIONS		SHEET NO.
NO.	DATE	BY
1		3
2		4



PLAN OF GIRDER



ELEVATION OF GIRDER

(SEE PARTIAL ELEVATION FOR ADDITIONAL "S" BARS)

DRAWN BY : JMB I2/87	REV. 8/16/99RR RWW/LES
CHECKED BY : ARB I2/87	REV. 5/1/06R TLA/GM
	REV. 10/1/11 MAA/GM
DESIGN ENGINEER OF RECORD	DATE : 4/13/2015
DRAWN BY : Z. SU	DATE : 02/14/14
CHECKED BY : R. C. LARSON	DATE : 03/16/14