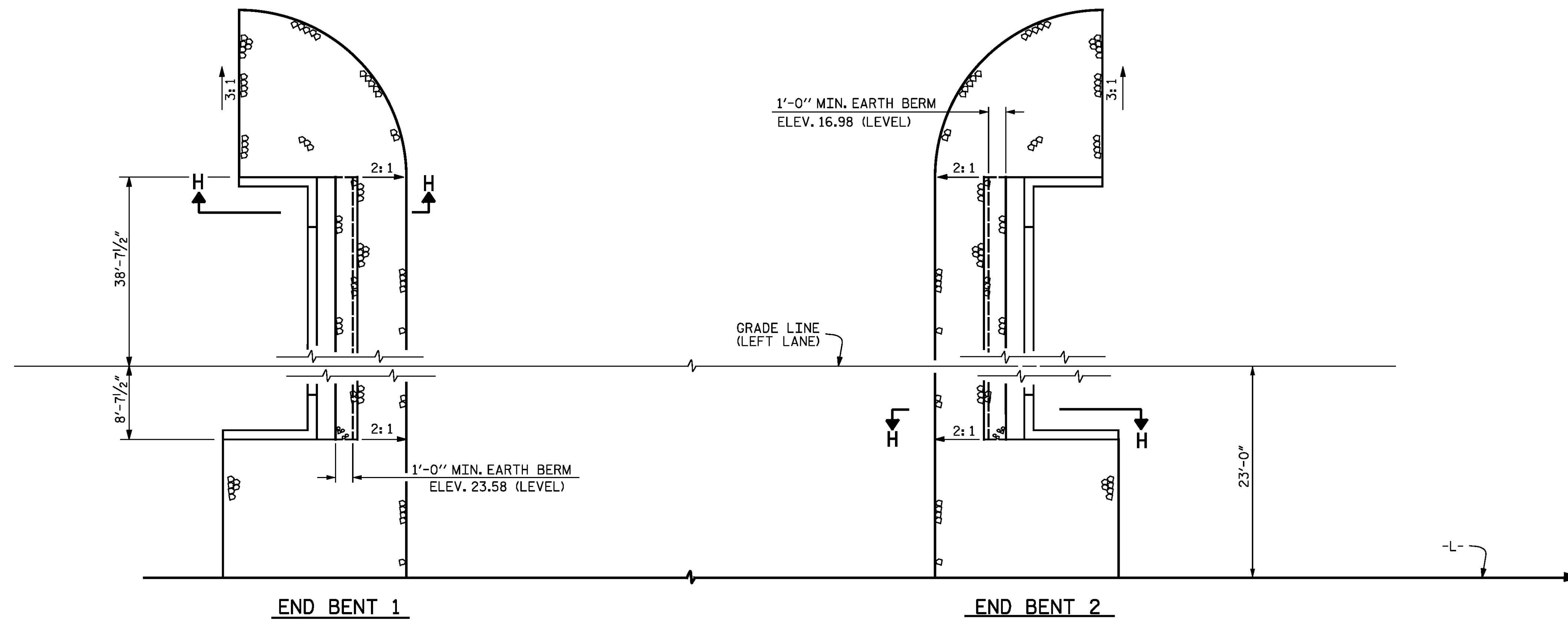
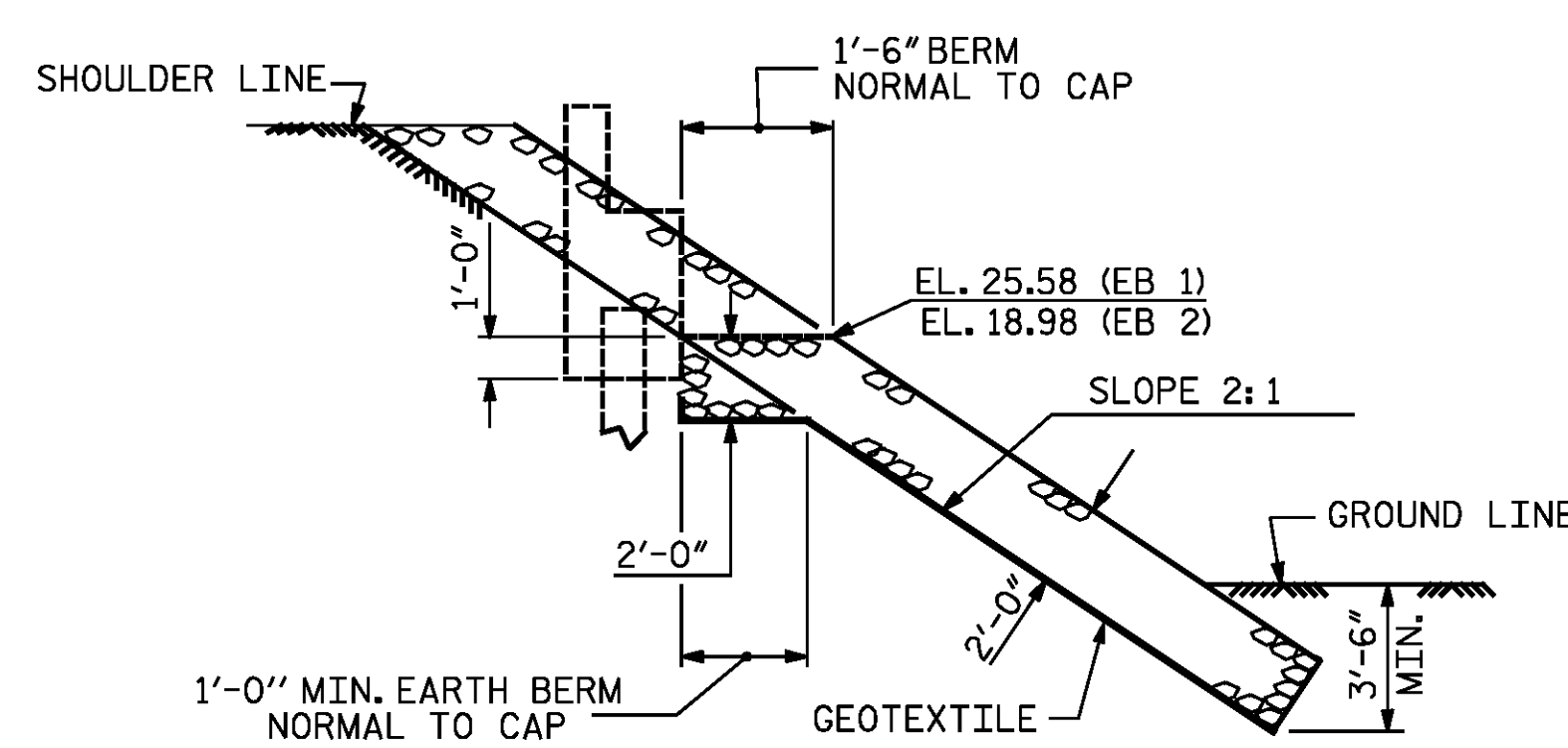


NOTES :
FOR BERM WIDTH DIMENSIONS, SEE GENERAL DRAWING.

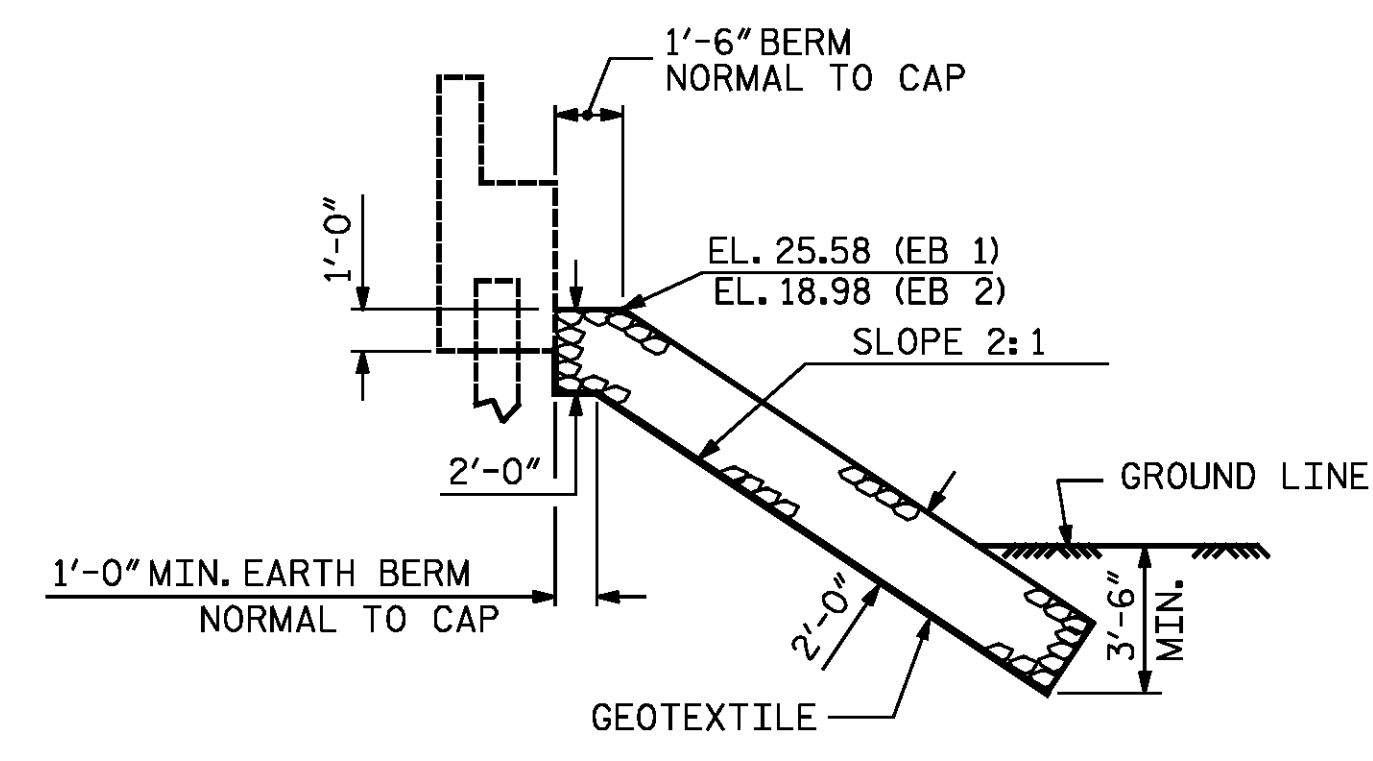


PLAN

| ESTIMATED QUANTITIES | | |
|--------------------------------|--------------------------------------|----------------------------|
| BRIDGE @ STA. 373+02.50 -L- | RIP RAP CLASS II (2'-0" THICK) | GEOTEXTILE FOR DRAINAGE |
| | TONS | SQUARE YARDS |
| END BENT 1 | 305 | 340 |
| END BENT 2 | 630 | 700 |

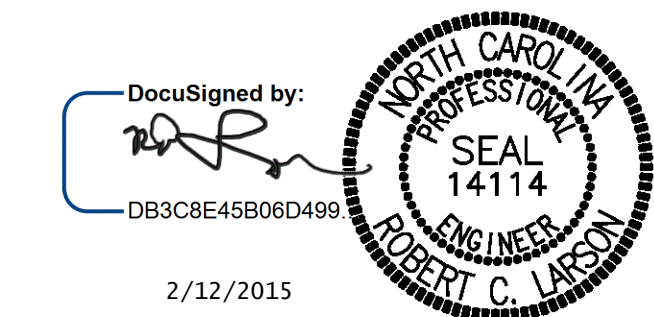


SECTION H-H



**SECTION
BERM RIP RAPPED**

PROJECT NO. R-2514D
JONES COUNTY
STATION: 373+02.50 -L-



STATE OF NORTH CAROLINA
DEPARTMENT OF TRANSPORTATION
RALEIGH
**RIP RAP
DETAILS**
STD. NO. RR1 LEFT LANE STR-#5

DocuSigned by:
DB3C8E45B06D499...
DESIGN ENGINEER OF RECORD: DATE: 2/12/2015
DRAWN BY: E. C. DECOLA DATE: 03/17/14
CHECKED BY: R. C. LARSON DATE: 03/27/14
DRAWN BY: REK 1/84 REV. 5/1/06R TLA/GM
CHECKED BY: RDU 1/84 REV. 10/1/11 MAA/GM
REV. 12/21/11 MAA/GM

| NO. | BY: | DATE: | REVISIONS | | SHEET NO. S05-32 |
|-----|-----|-------|-----------|-------|---------------------|
| | | | NO. | DATE: | |
| 1 | | | 3 | | TOTAL SHEETS S05-34 |
| 2 | | | 4 | | |

DWG. REF. NO. 32 OF 34