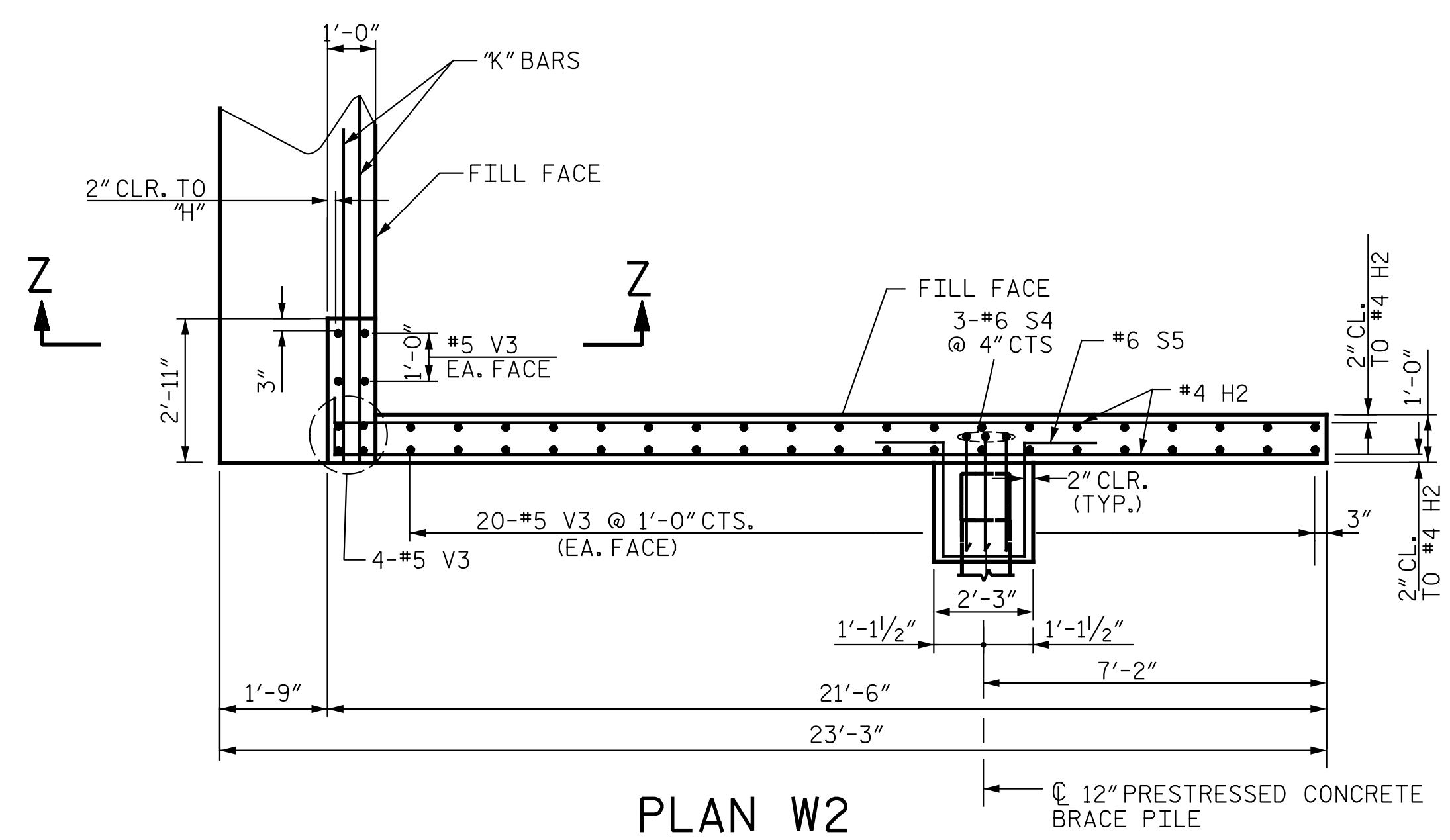
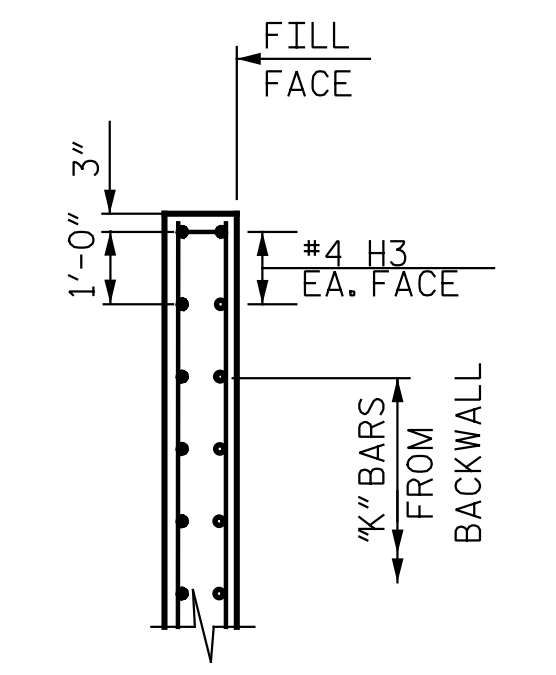


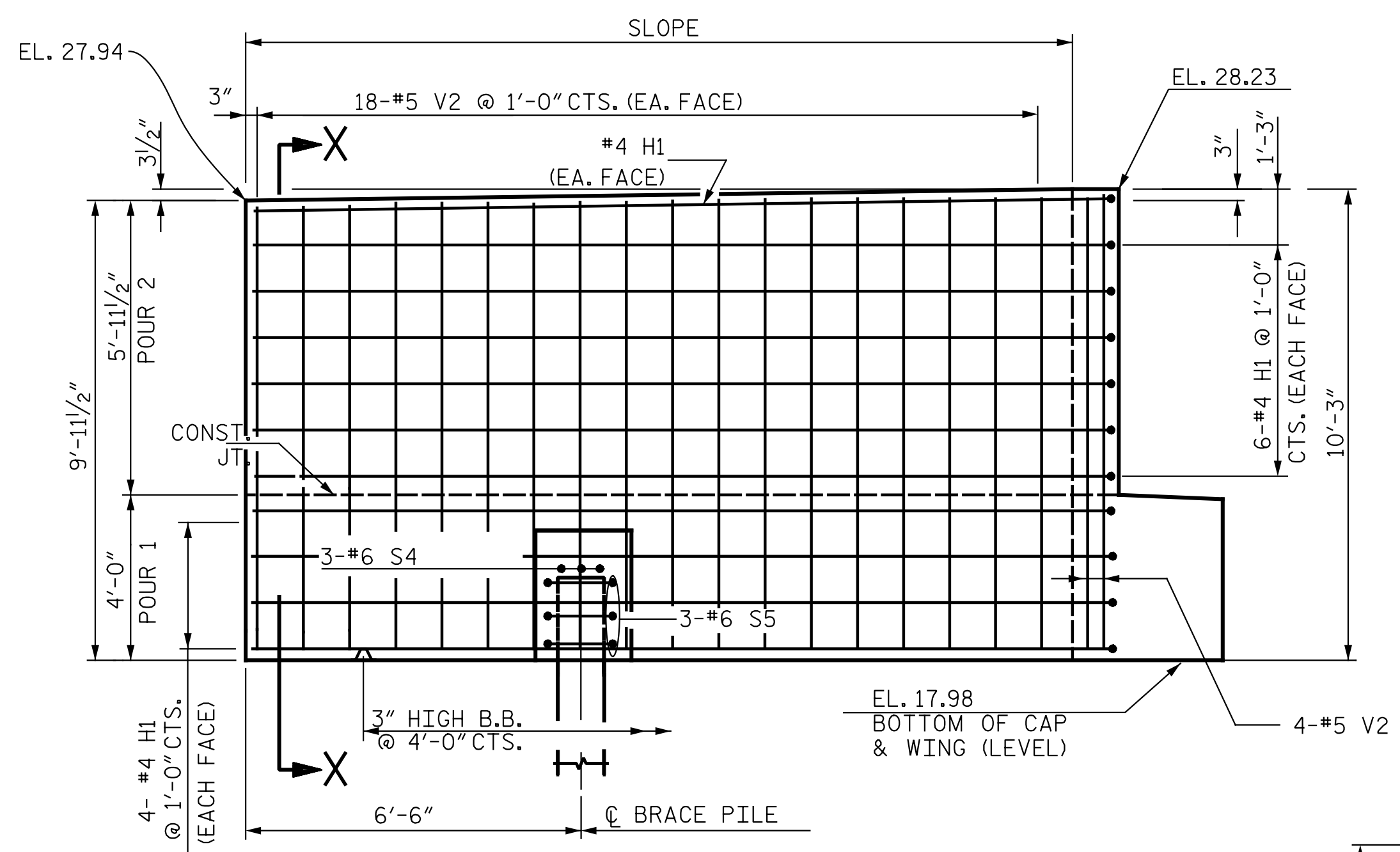
PLAN W1



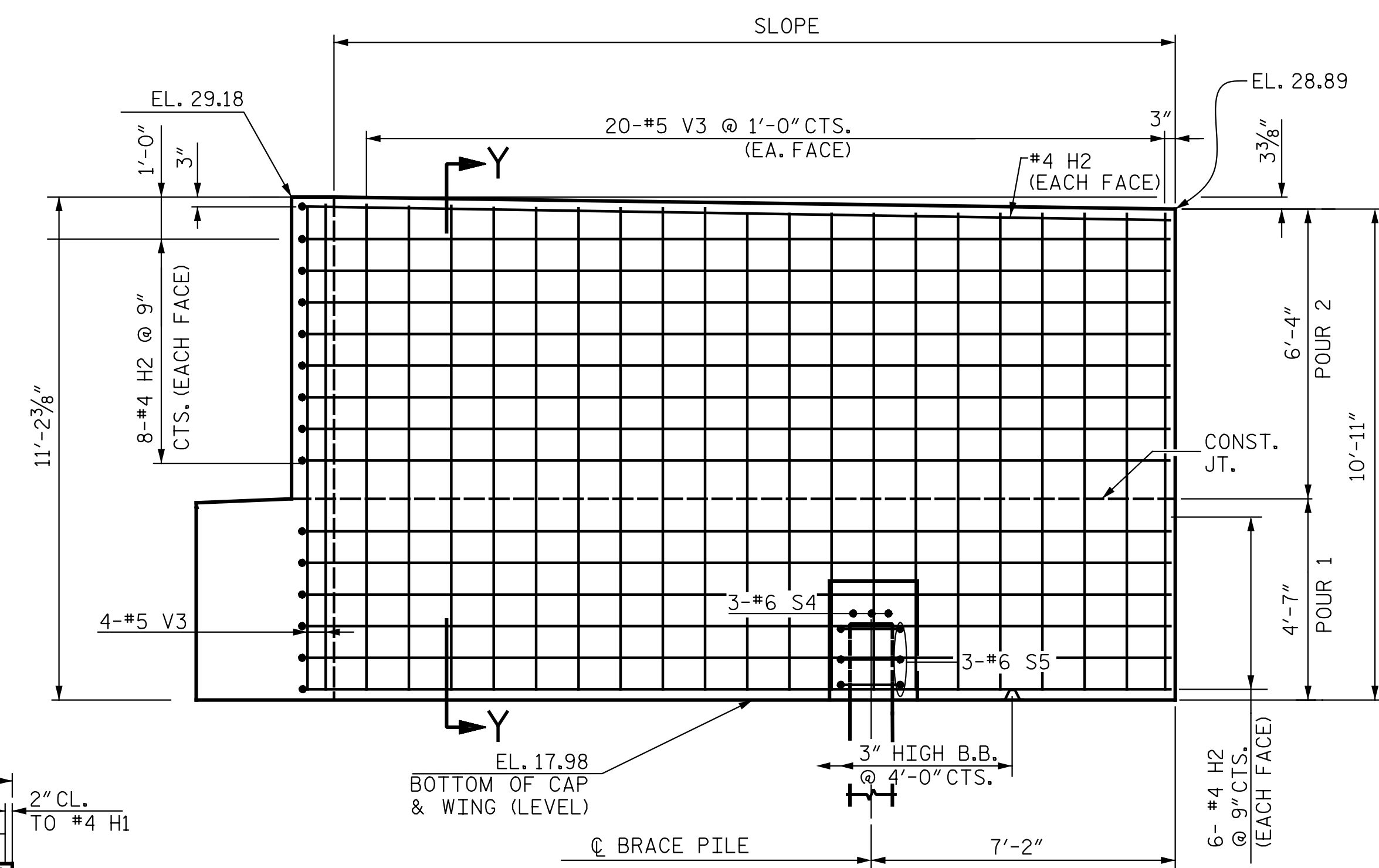
PLAN W2



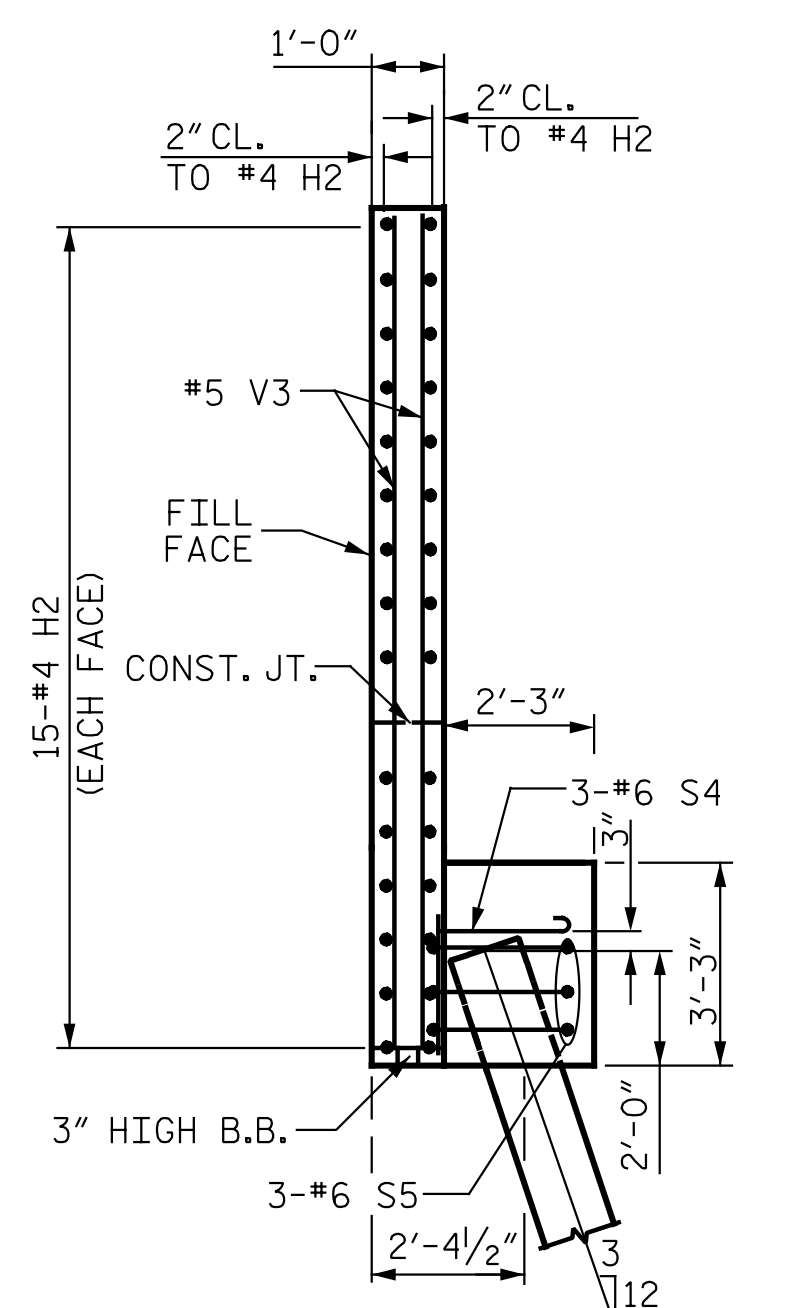
SECTION Z-Z



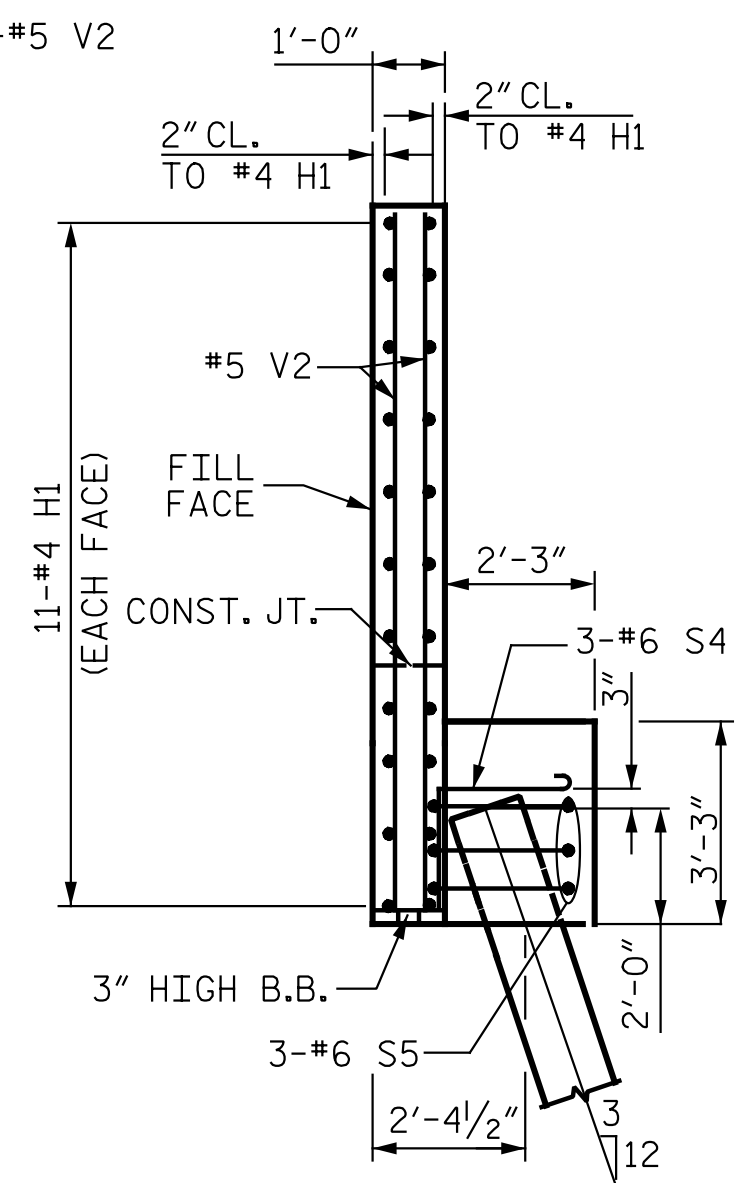
ELEVATION W1



ELEVATION W2



SECTION Y-Y



SECTION X-X

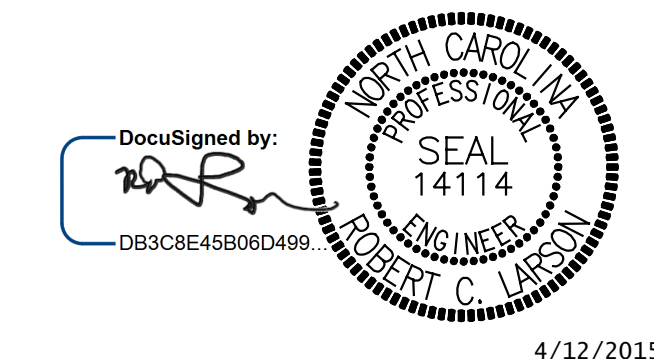
PROJECT NO. R-2514D  
JONES COUNTY  
 STATION: 373+02.50 -L-

SHEET 2 OF 3

STATE OF NORTH CAROLINA  
 DEPARTMENT OF TRANSPORTATION  
 RALEIGH

**SUBSTRUCTURE  
 END BENT 2**

LEFT LANE STR-#5



4/12/2015

ENGINEERS • PLANNERS • ECOLOGISTS LICENSE NUMBER: C-0744

**KCI Associates**  
 of North Carolina, P.A.  
 SUITE 220, LANDMARK CENTER # 400 SIX FORKS RD, RALEIGH, N.C. 27609-5200 (919) 783-9244

DWG. REF. NO. 28 OF 34

REVISIONS				SHEET NO.	
NO.	BY:	DATE:	NO.	BY:	DATE:
1			3		
2			4		

TOTAL SHEETS: S05-28 / S05-34

DESIGN ENGINEER OF RECORD: DATE: 4/12/2015

DRAWN BY: E. C. DECOLA DATE: 03/06/14

CHECKED BY: R. C. LARSON DATE: 03/21/14