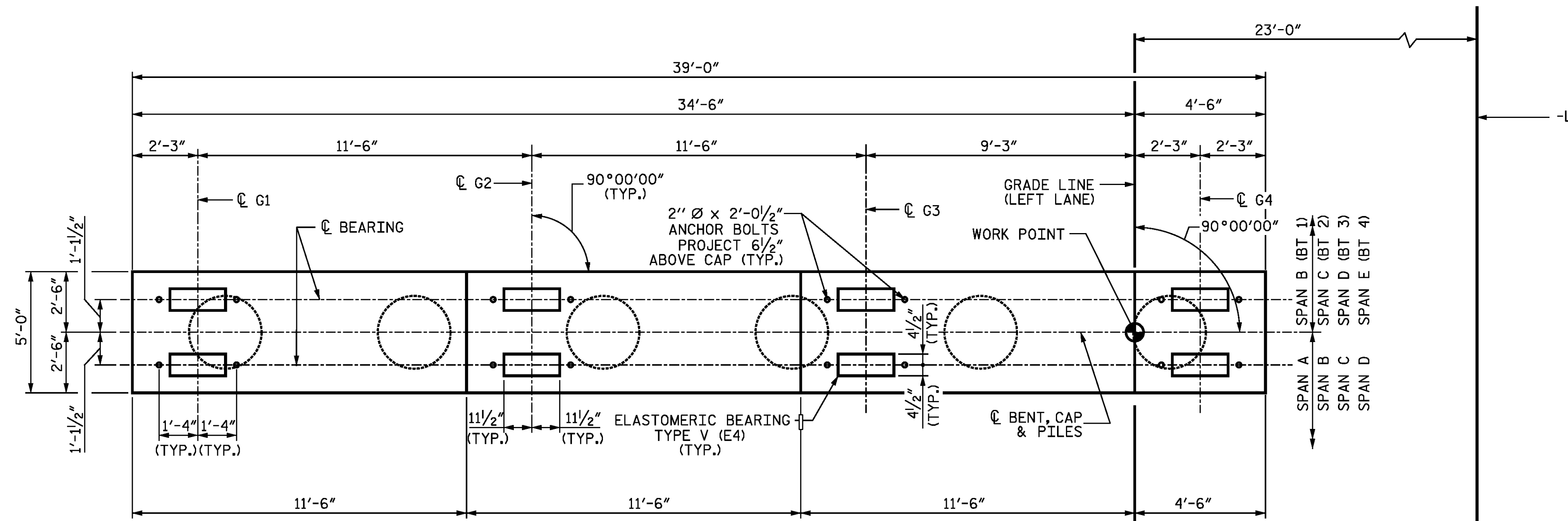


NOTES

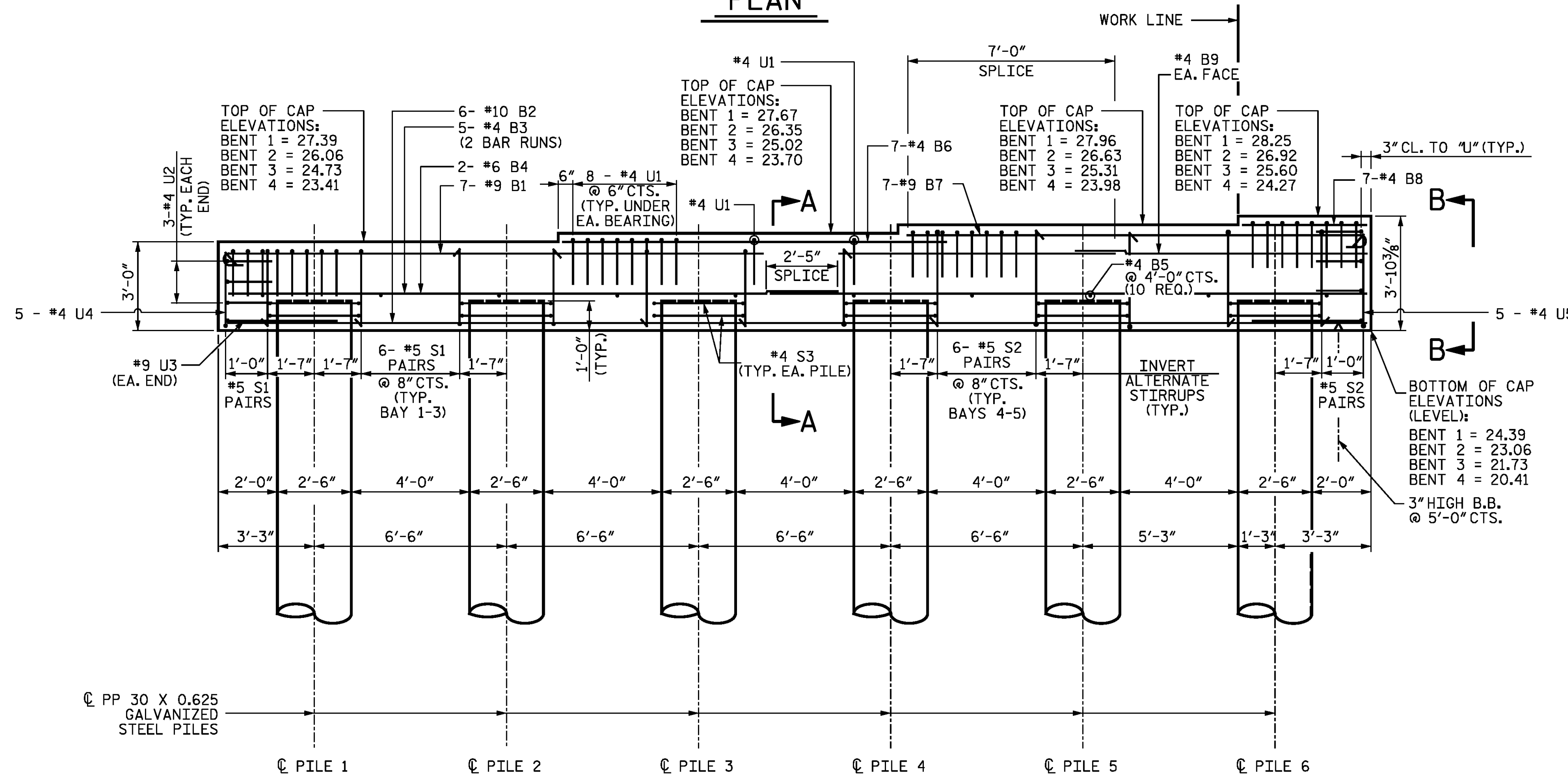
STIRRUPS IN CAP MAY BE SHIFTED AS NECESSARY TO CLEAR ANCHOR BOLTS.

GALVANIZE THE TOP OF EACH INTERIOR BENT PILE A MINIMUM OF 45'. GALVANIZE IN ACCORDANCE WITH SECTION 1076 OF THE STANDARD SPECIFICATIONS.

FOR CONCRETE PLUG AND REINFORCING IN PILES SEE STD DWG NO. SPP4.



PLAN



ELEVATION

PROJECT NO. R-2514D
JONES COUNTY
 STATION: 373+02.50 -L-

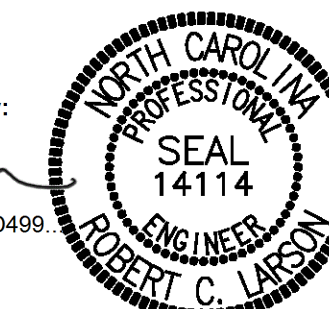
SHEET 1 OF 2

STATE OF NORTH CAROLINA
 DEPARTMENT OF TRANSPORTATION
 RALEIGH

**SUBSTRUCTURE
 BENT 1-4**

LEFT LANE STR-#5

DocuSigned by:
 DB3C8E45B06D499...
 2/12/2015



DocuSigned by:
 DB3C8E45B06D499...

DESIGN ENGINEER OF RECORD: DATE: 2/12/2015
 DRAWN BY: R. A. PRUETT DATE: 03/15/14
 CHECKED BY: R. C. LARSON DATE: 03/25/14

REVISIONS		SHEET NO.	
NO.	DATE	NO.	DATE
1		3	
2		4	

TOTAL SHEETS: S05-25 / S05-34

KCI Associates
 of North Carolina, P.A.
 DWG. REF. NO. 25 OF 34