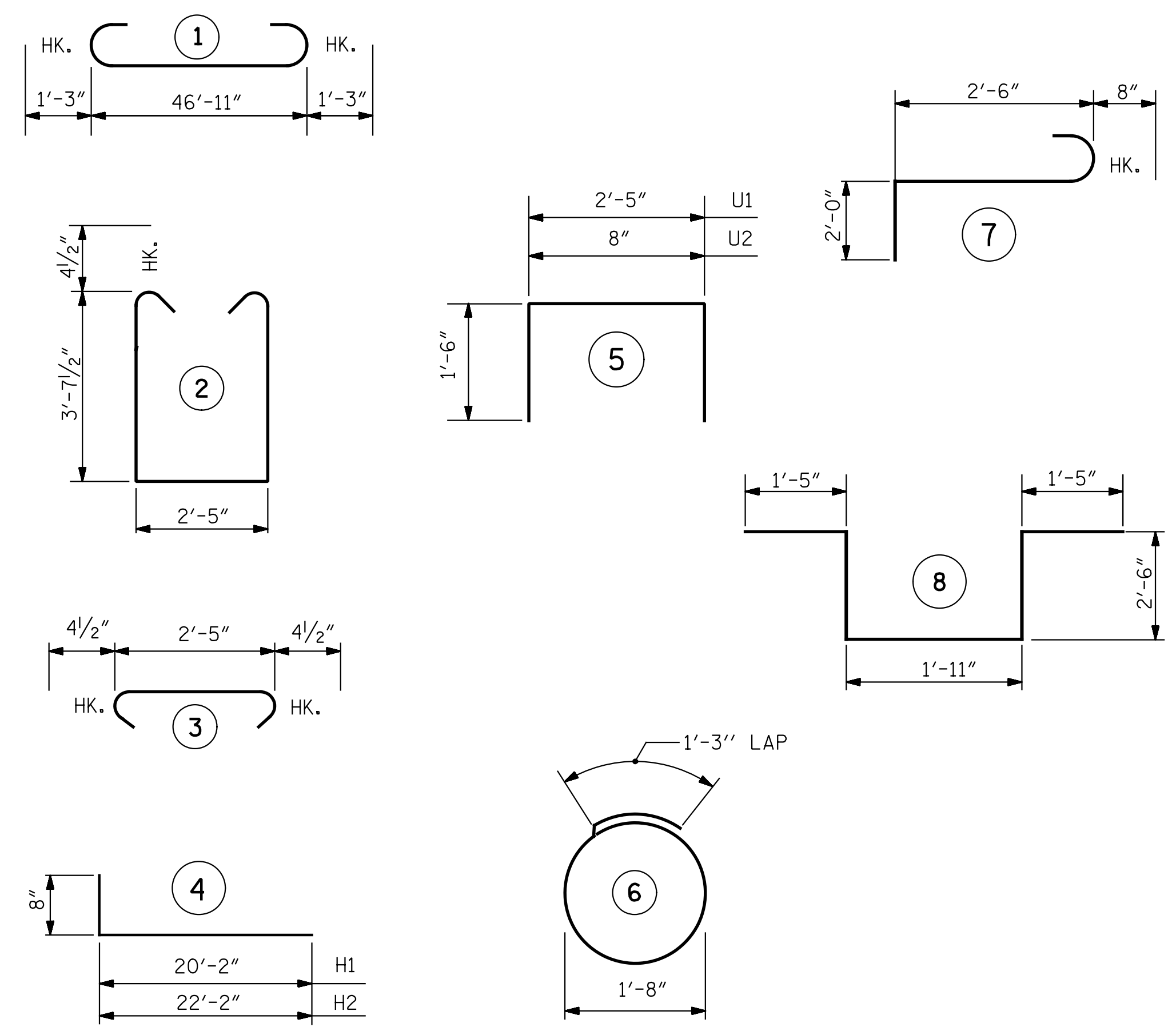


SECTION A-A

12" PRESTRESSED CONCRETE PILE & CAP

12" PRESTRESSED CONCRETE BRACE PILE

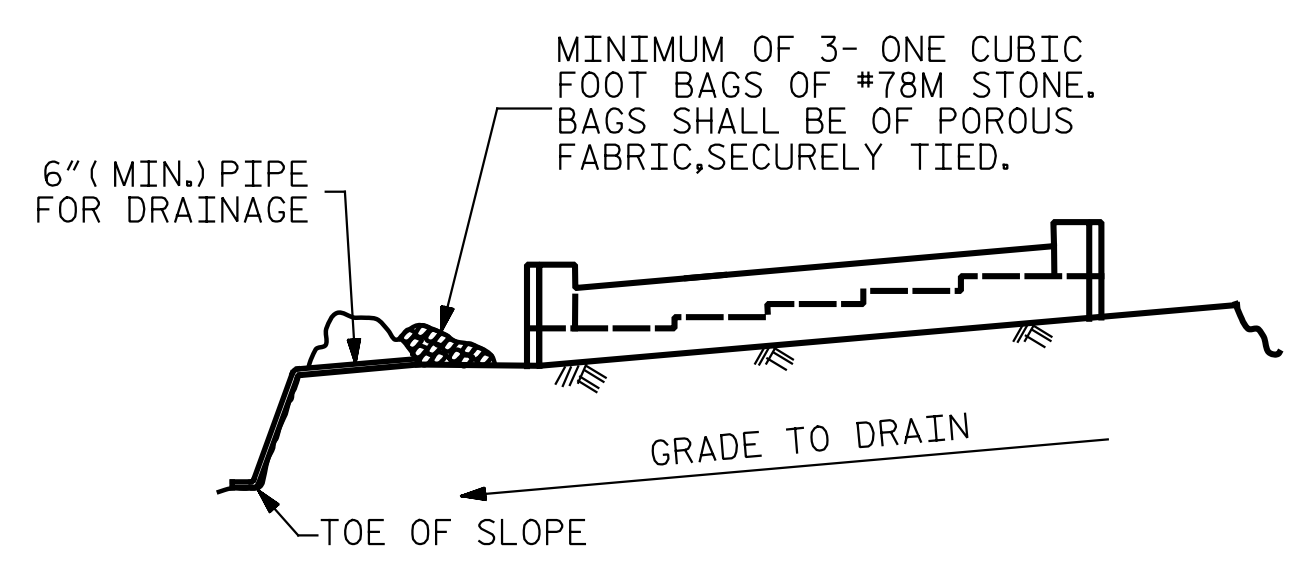
BAR TYPES



ALL BAR DIMENSIONS ARE OUT TO OUT.

BILL OF MATERIAL

END BENT 1					
BAR NO.	SIZE	TYPE	LENGTH	WEIGHT	
B1	8	9	1	49'-5"	1344
B2	12	4	STR.	2'-5"	19
B3	28	4	STR.	24'-8"	461
B4	4	4	STR.	19'-2"	51
B5	4	4	STR.	2'-11"	8
H1	22	4	4	20'-10"	306
H2	30	4	4	22'-10"	458
H3	8	4	STR.	2'-7"	14
K1	20	4	STR.	24'-8"	330
S1	24	4	6	6'-6"	104
S2	42	4	2	10'-5"	292
S3	42	4	3	3'-2"	89
S4	6	6	7	5'-2"	47
S5	6	6	8	9'-9"	88
U1	16	4	5	5'-5"	58
U2	41	4	5	3'-8"	100
V1	82	5	STR.	8'-3"	706
V2	46	5	STR.	9'-11"	476
V3	50	5	STR.	10'-10"	565
REINFORCING STEEL, LB					5516
CLASS A CONCRETE, CY					
POUR 1					28.1
POUR 2					18.6
TOTAL					46.7
12" PRESTRESSED CONCRETE PILES					
NO.					8
LF					240
PILE REDRIVES					EA. 3
NOTE: PILE HEADS HAVE BEEN DEDUCTED FROM CLASS A CONCRETE.					



MINIMUM OF 3- ONE CUBIC FOOT BAGS OF #78M STONE. BAGS SHALL BE OF POROUS FABRIC, SECURELY TIED.

6" (MIN.) PIPE FOR DRAINAGE

GRADE TO DRAIN

TOE OF SLOPE

BAGGED STONE AND PIPE SHALL BE PLACED IMMEDIATELY AFTER COMPLETION OF END BENT EXCAVATION. PIPE MAY BE EITHER CONCRETE, CORRUGATED STEEL, CORRUGATED ALUMINUM ALLOY, OR CORRUGATED PLASTIC. PERFORATED PIPE WILL NOT BE ALLOWED.

BAGGED STONE SHALL REMAIN IN PLACE UNTIL THE ENGINEER DIRECTS THAT IT BE REMOVED. THE CONTRACTOR SHALL REMOVE AND DISPOSE OF SILT ACCUMULATIONS AT BAGGED STONE WHEN SO DIRECTED BY THE ENGINEER. BAGS SHALL BE REMOVED AND REPLACED WHENEVER THE ENGINEER DETERMINES THAT THEY HAVE DETERIORATED AND LOST THEIR EFFECTIVENESS.

NO SEPARATE PAYMENT WILL BE MADE FOR THIS WORK AND THE ENTIRE COST OF THIS WORK SHALL BE INCLUDED IN THE UNIT CONTRACT PRICE BID FOR THE SEVERAL PAY ITEMS.

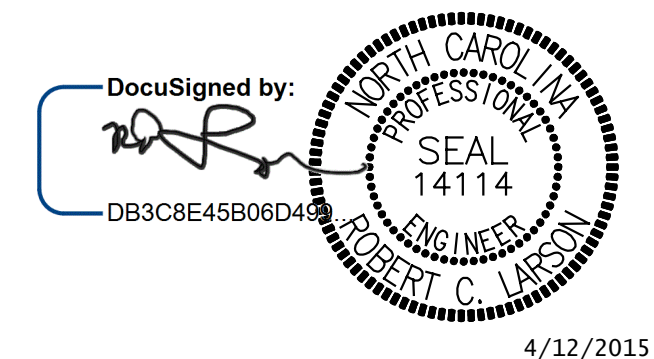
TEMPORARY DRAINAGE AT END BENT

PROJECT NO. R-2514D
JONES COUNTY
 STATION: 373+02.50 -L-
 SHEET 3 OF 3

STATE OF NORTH CAROLINA
 DEPARTMENT OF TRANSPORTATION
 RALEIGH

**SUBSTRUCTURE
 END BENT 1**

LEFT LANE STR-#5



DocuSigned by:
 RCL
 DB3C8E45B06D49

4/12/2015

KCI Associates of North Carolina, P.A.
 DWG. REF. NO. 24 OF 34

DESIGN ENGINEER OF RECORD:	DATE:	4/12/2015
DRAWN BY: E. C. DECOLA	DATE:	02/28/14
CHECKED BY: R. C. LARSON	DATE:	03/03/14

REVISIONS					
NO.	BY:	DATE:	NO.	BY:	DATE:
1			3		
2			4		

SHEET NO.	S05-24
TOTAL SHEETS	S05-34