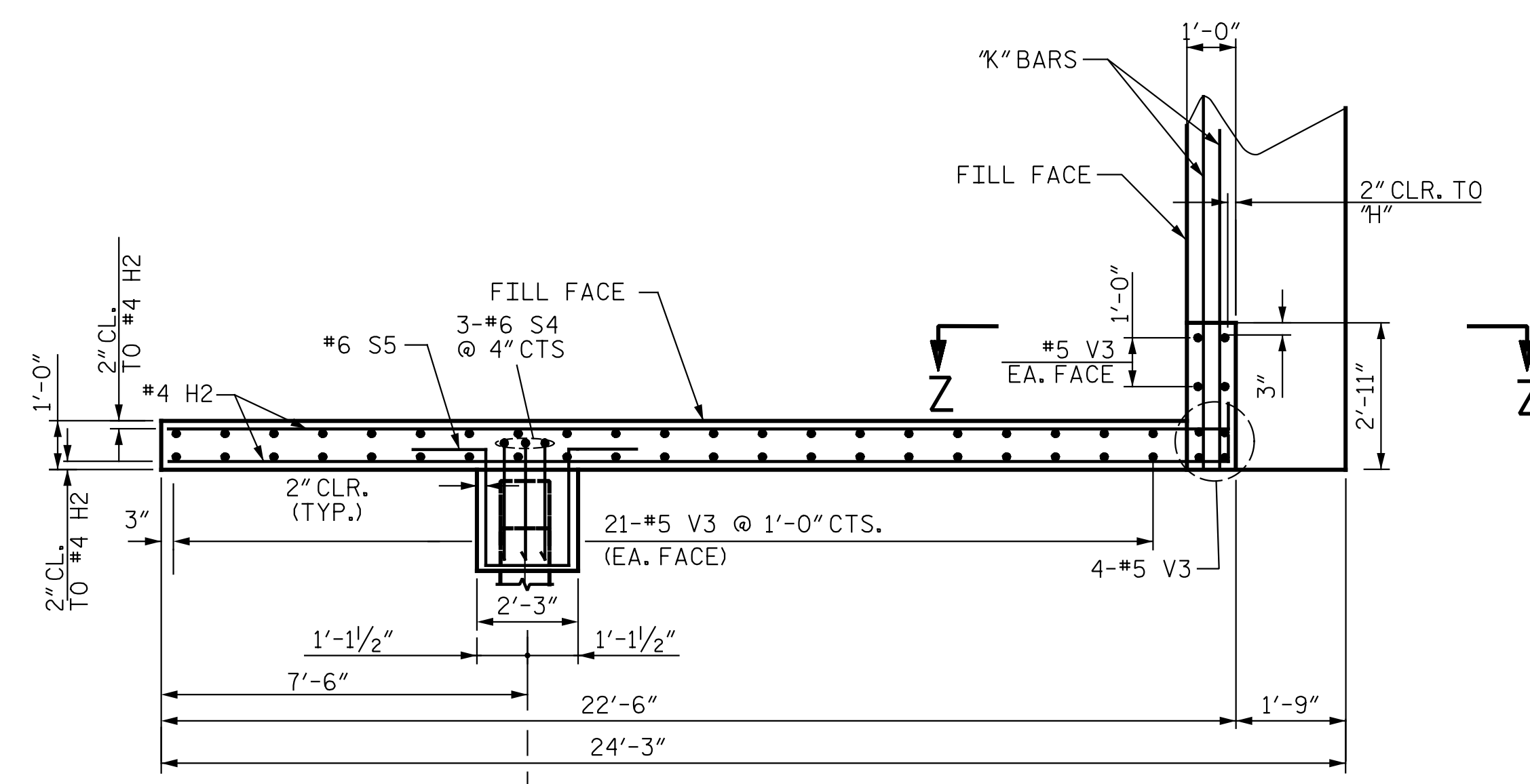
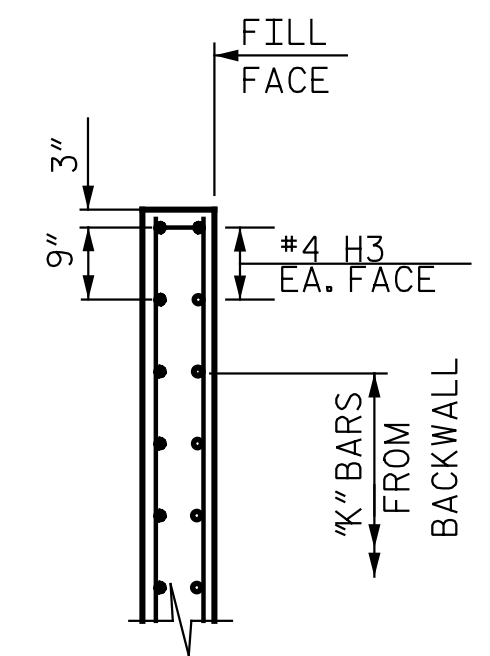


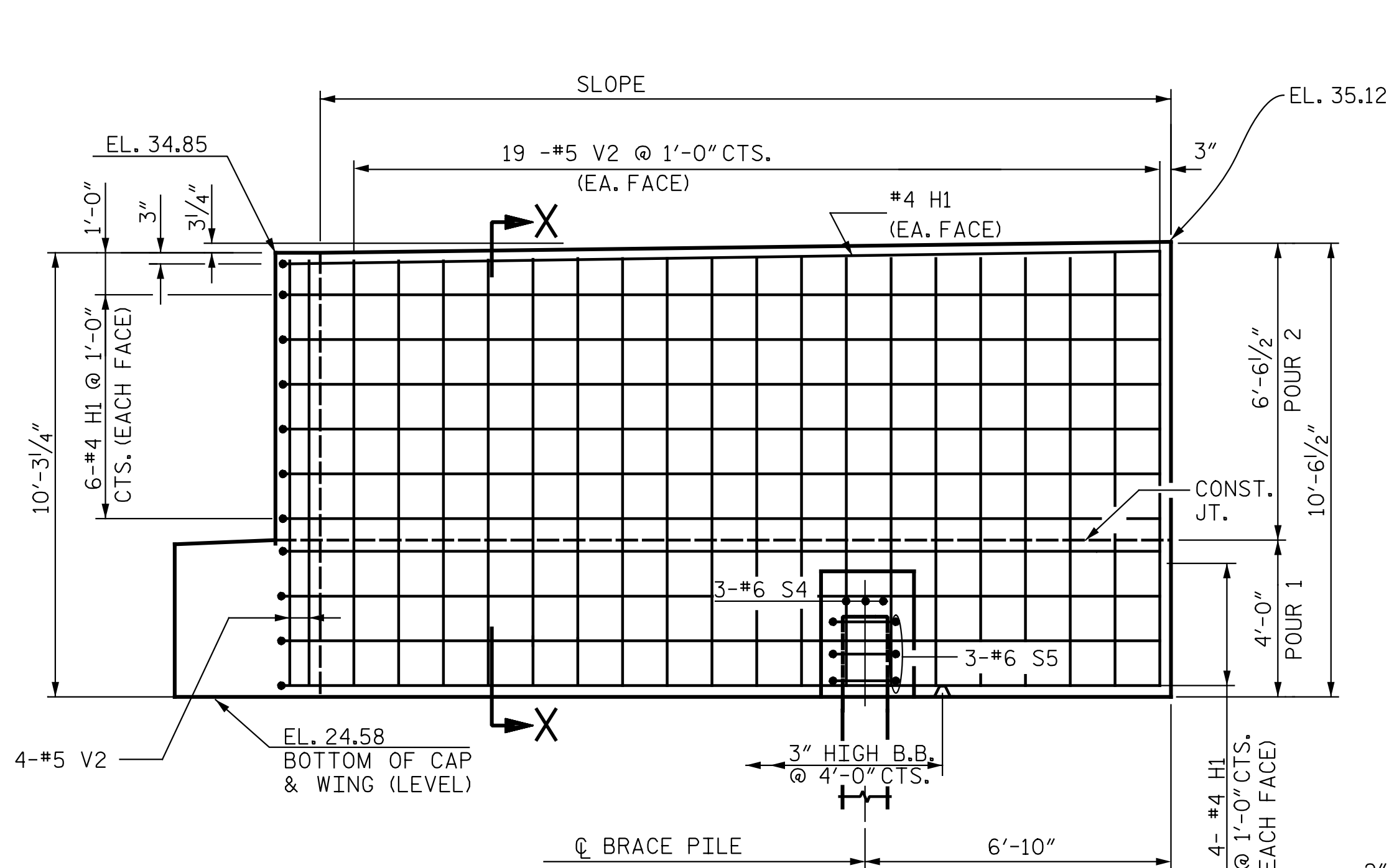
PLAN W1



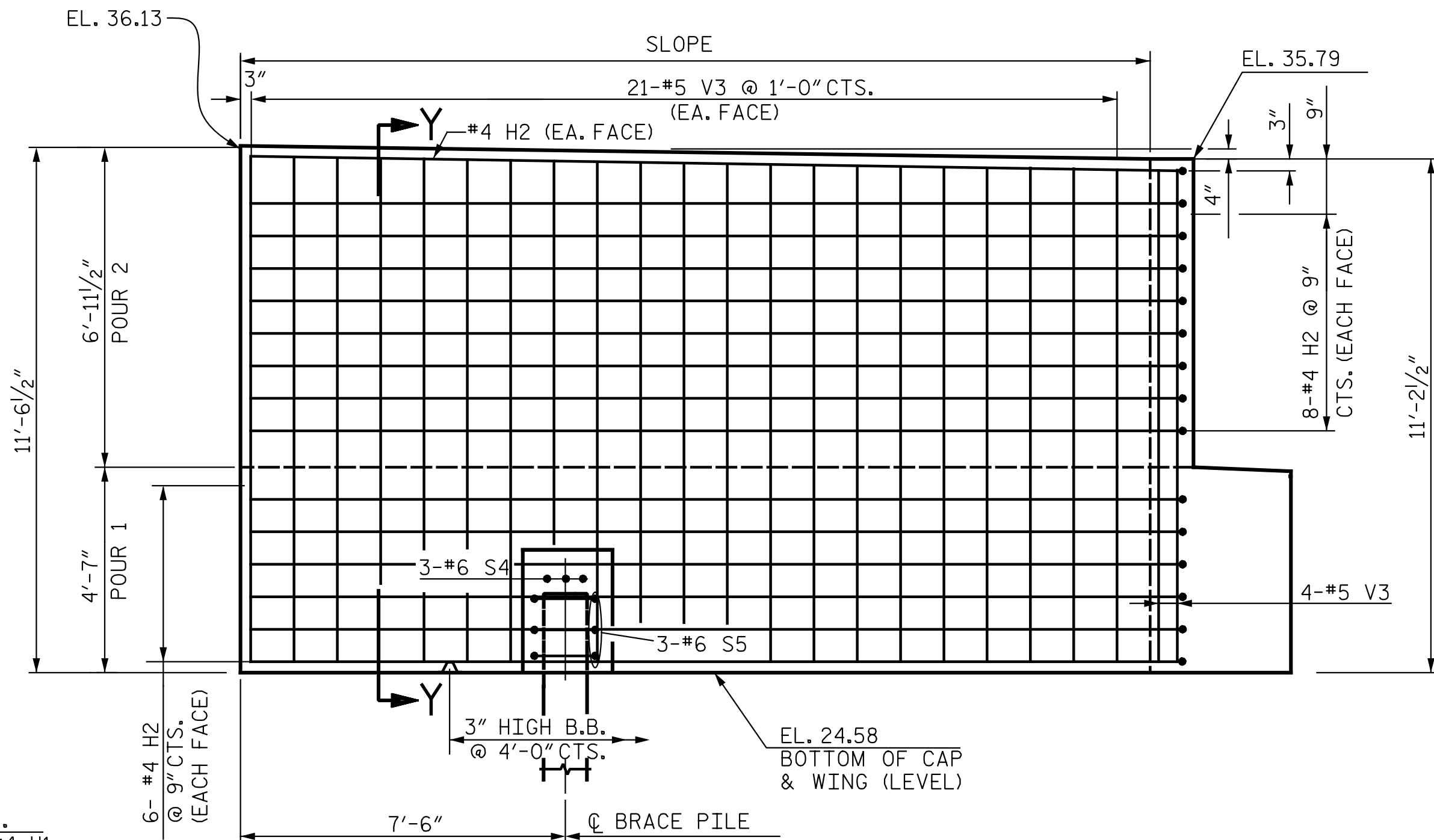
PLAN W2



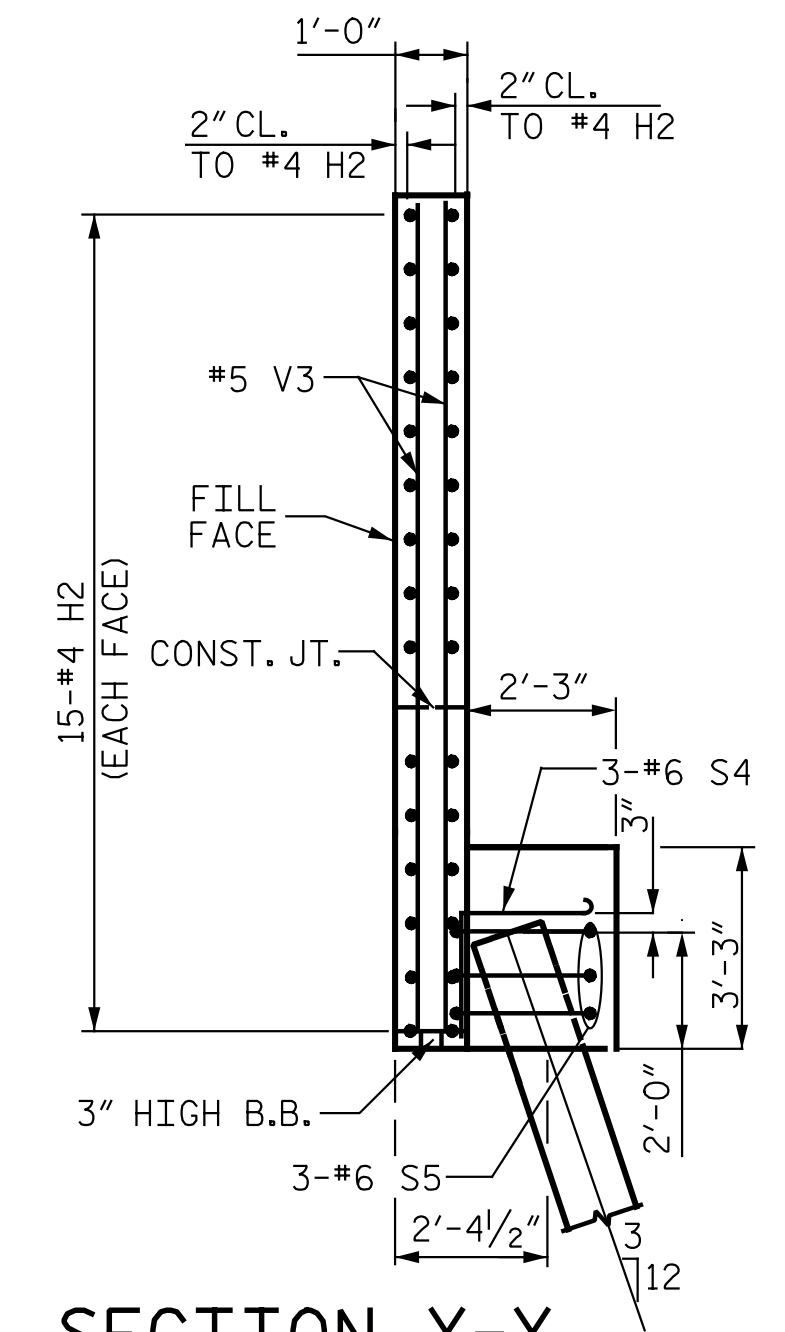
SECTION Z-Z



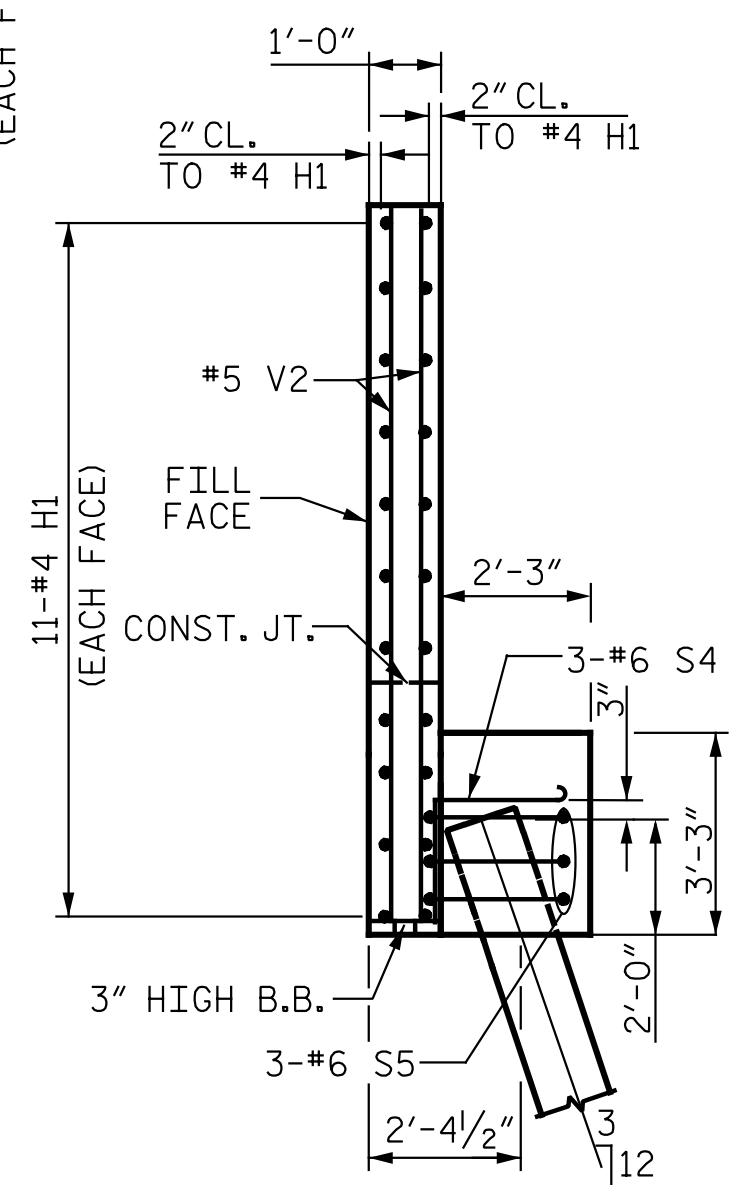
ELEVATION W1



ELEVATION W2



SECTION Y-Y

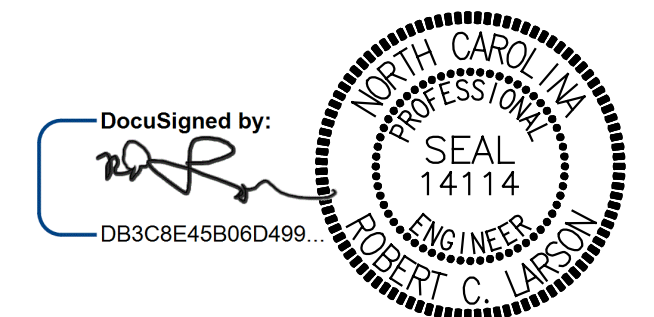


SECTION X-X

DESIGN ENGINEER OF RECORD: DATE: 4/12/2015

DRAWN BY: E. C. DECOLA DATE: 02/27/14

CHECKED BY: R. C. LARSON DATE: 03/14/14



REVISIONS

NO.	BY:	DATE:	NO.	BY:	DATE:
1			3		
2			4		

PROJECT NO. R-2514D  
 JONES COUNTY  
 STATION: 373+02.50 -L-

SHEET 2 OF 3

STATE OF NORTH CAROLINA  
 DEPARTMENT OF TRANSPORTATION  
 RALEIGH

**SUBSTRUCTURE  
 END BENT 1**

LEFT LANE STR-#5

NO. 1 BY: DATE: NO. 2 BY: DATE: NO. 3 BY: DATE: NO. 4 BY: DATE:

SHEET NO. S05-23  
 TOTAL SHEETS S05-34