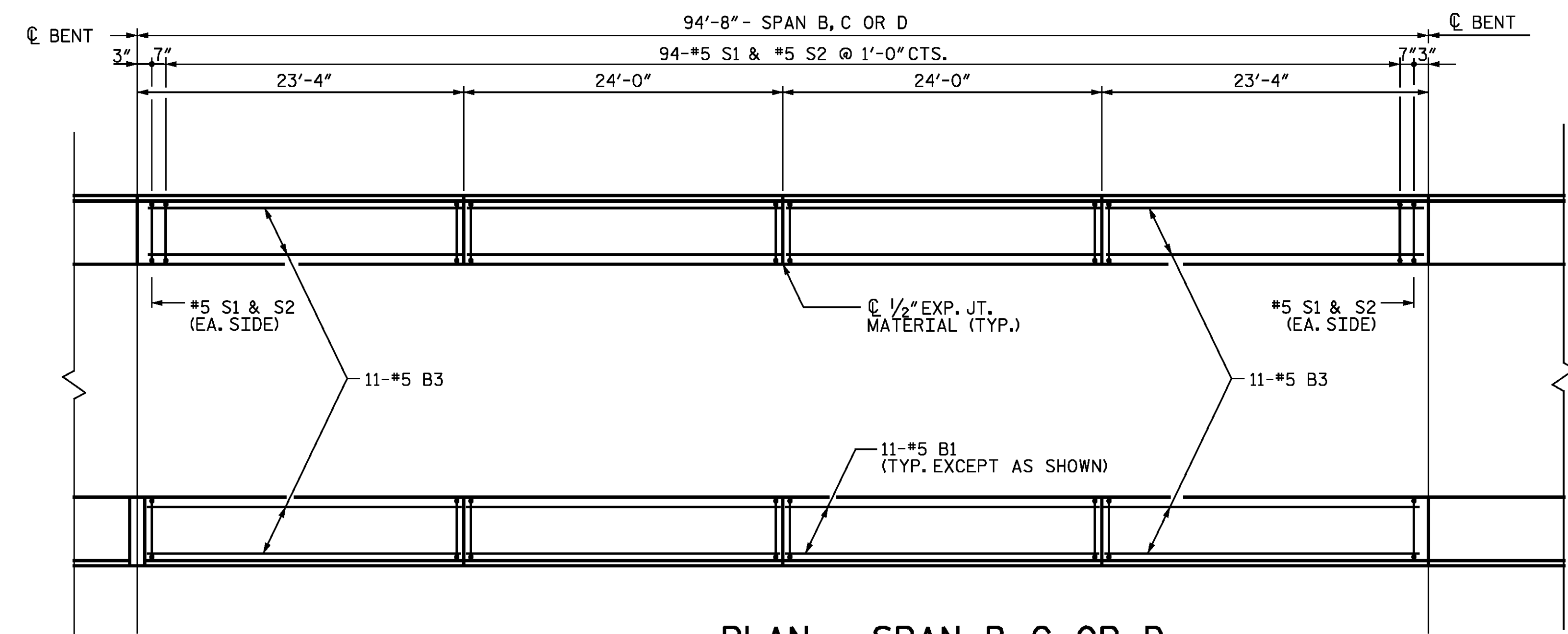
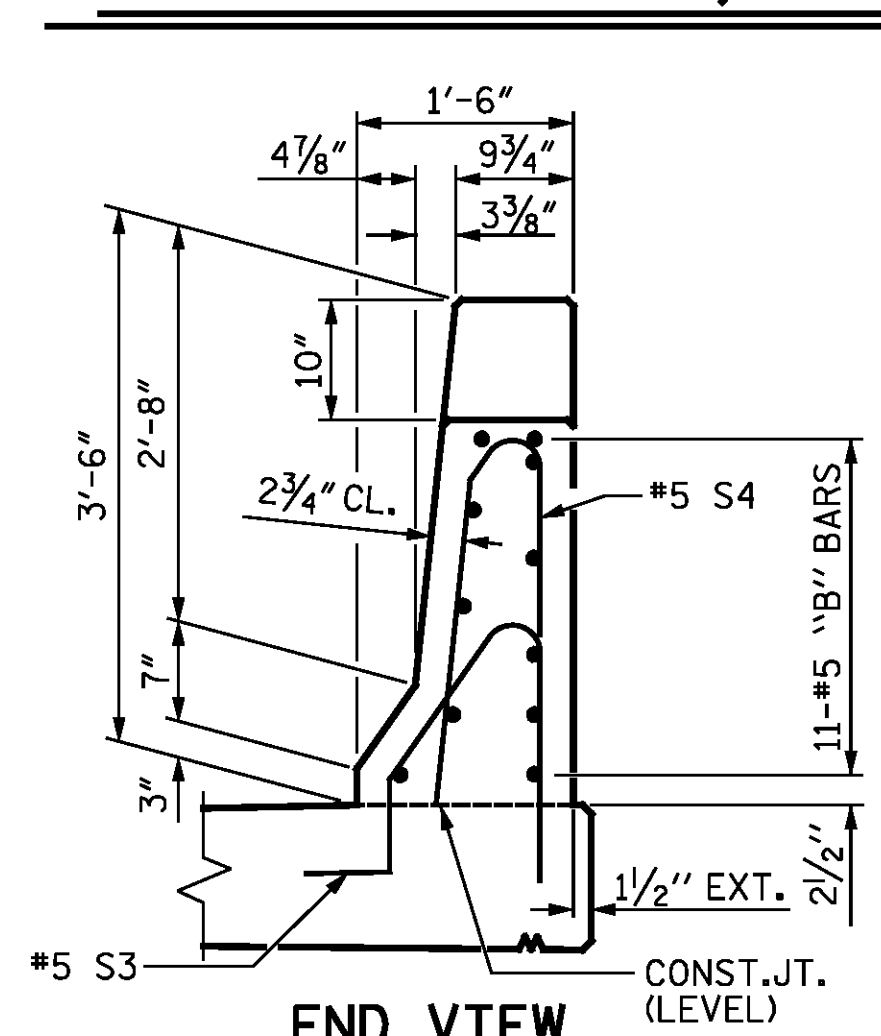


**PLAN - SPAN A**

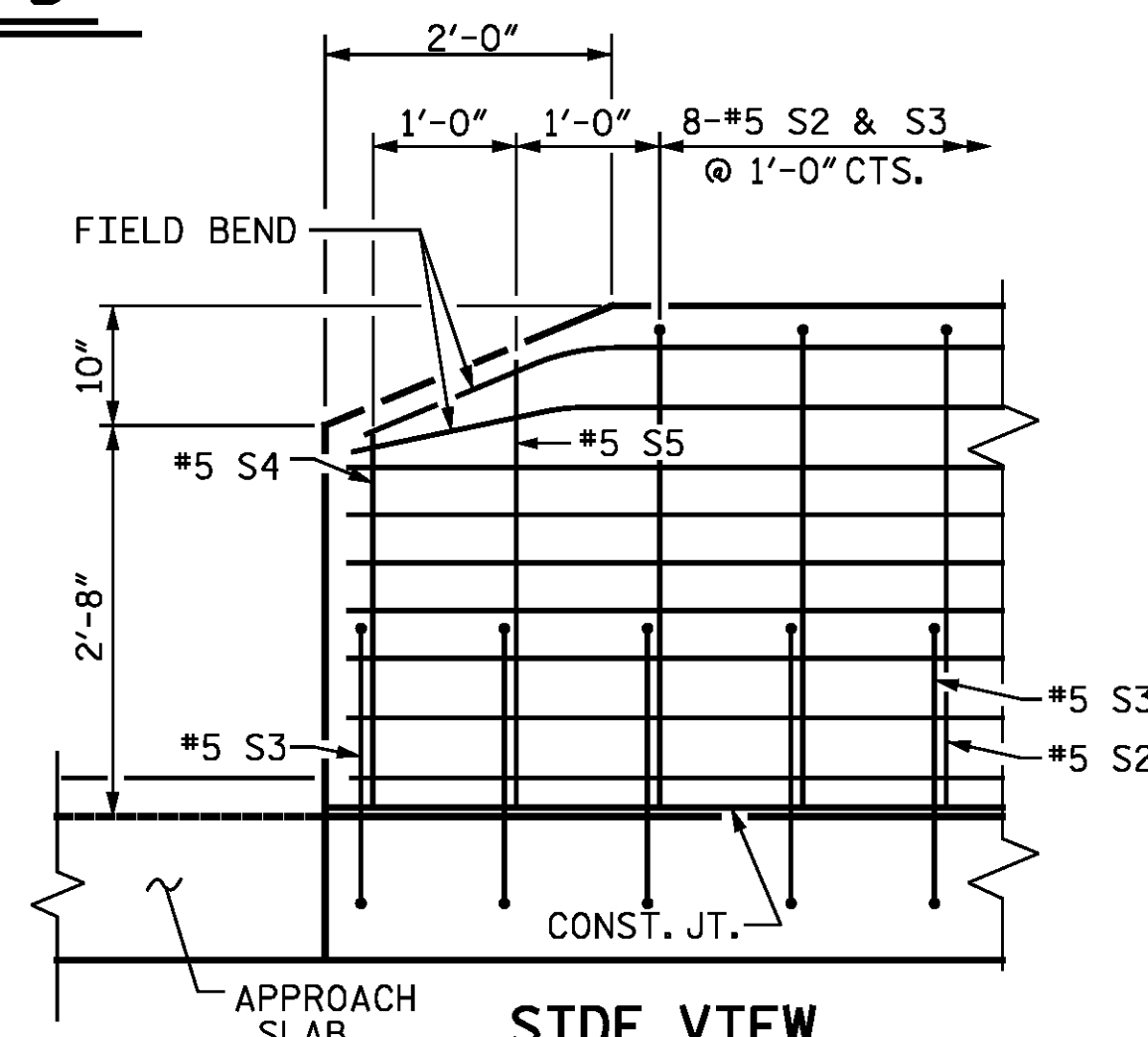
(SPAN E SIMILAR)



**PLAN - SPAN B, C OR D**



**END VIEW**



**SIDE VIEW**

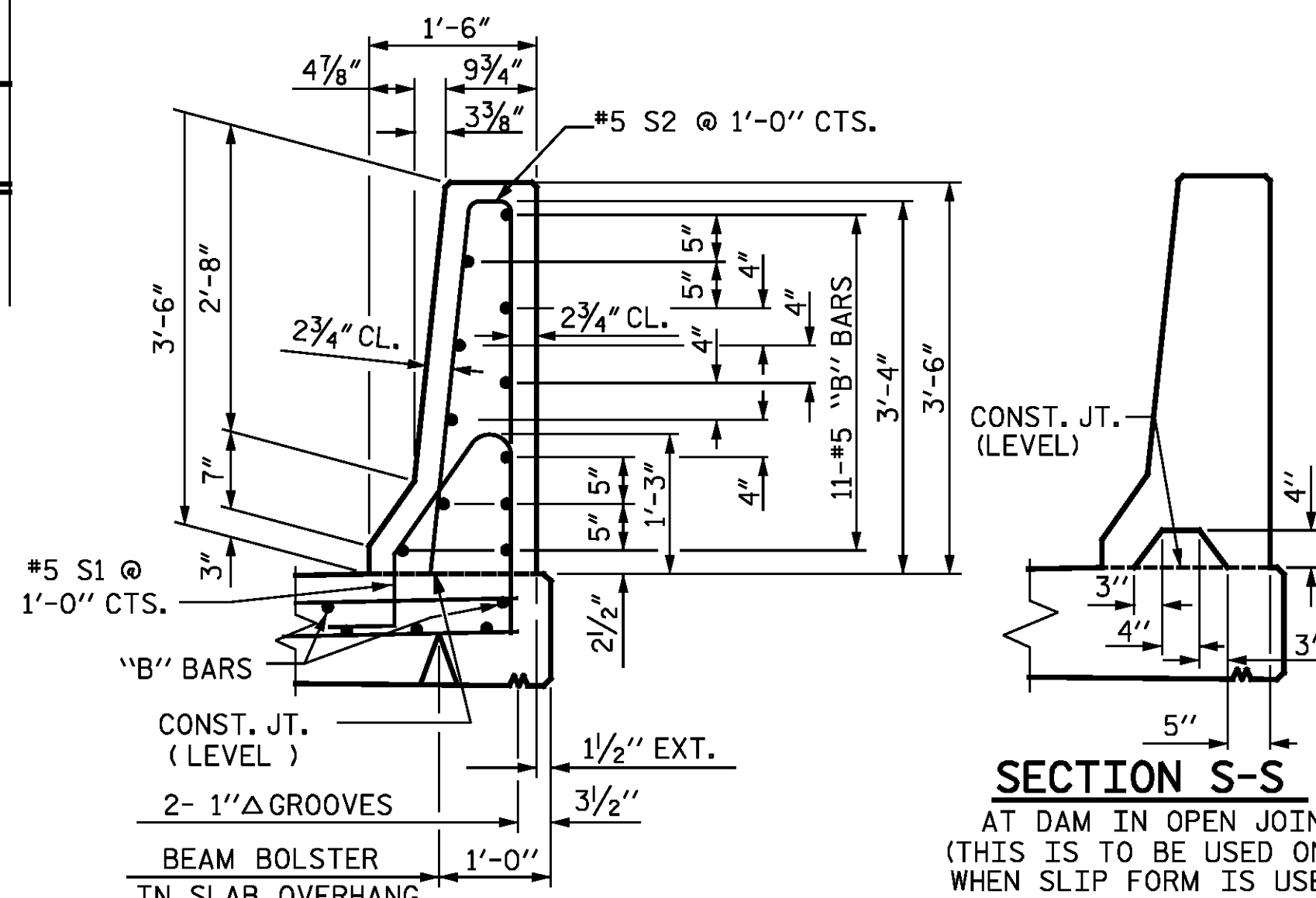
**END OF RAIL DETAILS**

**NOTES**

THE BARRIER RAIL SHALL NOT BE CAST UNTIL ALL SLAB CONCRETE HAS BEEN CAST AND HAS REACHED A MINIMUM COMPRESSIVE STRENGTH OF 3,000 PSI.

ALL REINFORCING STEEL IN BARRIER RAILS SHALL BE EPOXY COATED.

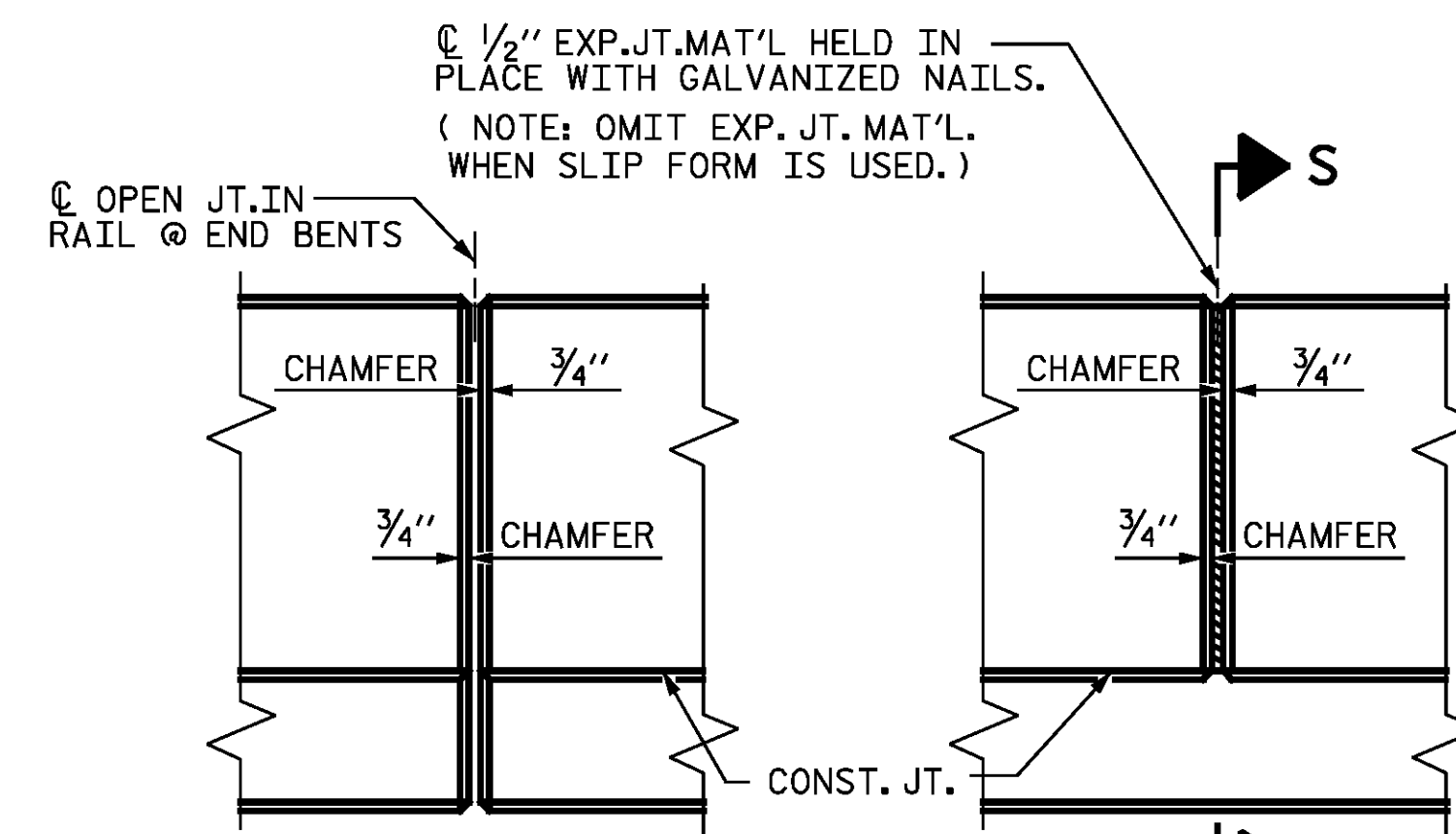
GROOVED CONTRACTION JOINTS, 1/2" IN DEPTH, SHALL BE TOOLED IN ALL EXPOSED FACES OF THE BARRIER RAIL AND IN ACCORDANCE WITH ARTICLE 825-10(B) OF THE STANDARD SPECIFICATIONS, THE CONTRACTION JOINT SHALL BE LOCATED AT EACH THIRD POINT BETWEEN BARRIER RAIL EXPANSION JOINTS. ONLY ONE CONTRACTION JOINT IS REQUIRED AT MIDPOINT OF BARRIER RAIL SEGMENTS LESS THAN 20 FEET IN LENGTH AND NO CONTRACTION JOINTS ARE REQUIRED FOR THOSE SEGMENTS LESS THAN 10 FEET IN LENGTH.



**SECTION THRU RAIL**

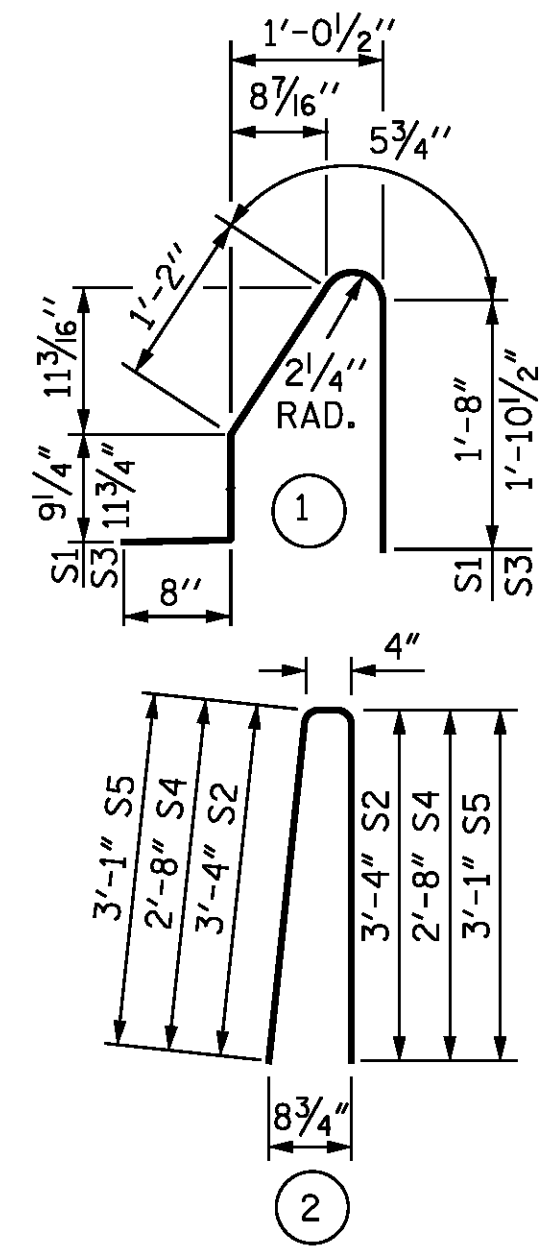
**SECTION S-S**

AT DAM IN OPEN JOINT (THIS IS TO BE USED ONLY WHEN SLIP FORM IS USED)



**ELEVATION AT EXPANSION JOINTS  
BARRIER RAIL DETAILS**

**BAR TYPES**



ALL BAR DIMENSIONS ARE OUT TO OUT

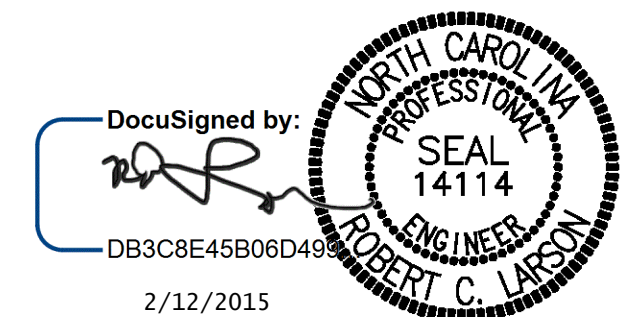
**BILL OF MATERIAL**

FOR CONCRETE BARRIER RAIL ONLY						
BAR	NO.	SIZE	TYPE	LENGTH	WEIGHT	
*B1	264	#5	STR.	23'-7"	6494	
*B2	44	#5	STR.	22'-0"	1010	
*B3	132	#5	STR.	23'-0"	3167	
*B4	44	#5	STR.	9'-8"	444	
*S1	956	#5	1	4'-9"	4736	
*S2	988	#5	2	7'-0"	7213	
*S3	40	#5	1	5'-2"	216	
*S4	4	#5	2	5'-8"	24	
*S5	4	#5	2	6'-6"	27	
* EPOXY COATED REINFORCING STEEL					23331	
CLASS AA CONCRETE				133.4	CU. YDS.	
CONCRETE BARRIER RAIL				986.00	LTN. FT.	

REV. 10/1/11 MAA/GM  
 REV. 7/12 MAA/GM  
 REV. 10/12 MAA/GM

DESIGN ENGINEER OF RECORD: DATE 12/12/2015

DRAWN BY: E. C. DECOLA DATE: 11/22/13  
 CHECKED BY: R. C. LARSON DATE: 01/21/14



KCI Associates  
 of North Carolina, P.A.  
 DWG. REF. NO. 17 OF 34

PROJECT NO. R-2514D  
 JONES COUNTY  
 STATION: 373+02.50 -L-

STATE OF NORTH CAROLINA DEPARTMENT OF TRANSPORTATION RALEIGH					
CONCRETE BARRIER RAIL					
LEFT LANE STR-#5					
STANDARD NO. CBR1					
REVISIONS					
NO.	BY:	DATE:	NO.	BY:	DATE:
1			3		
2			4		

SHEET NO. S05-17  
 TOTAL SHEETS S05-34