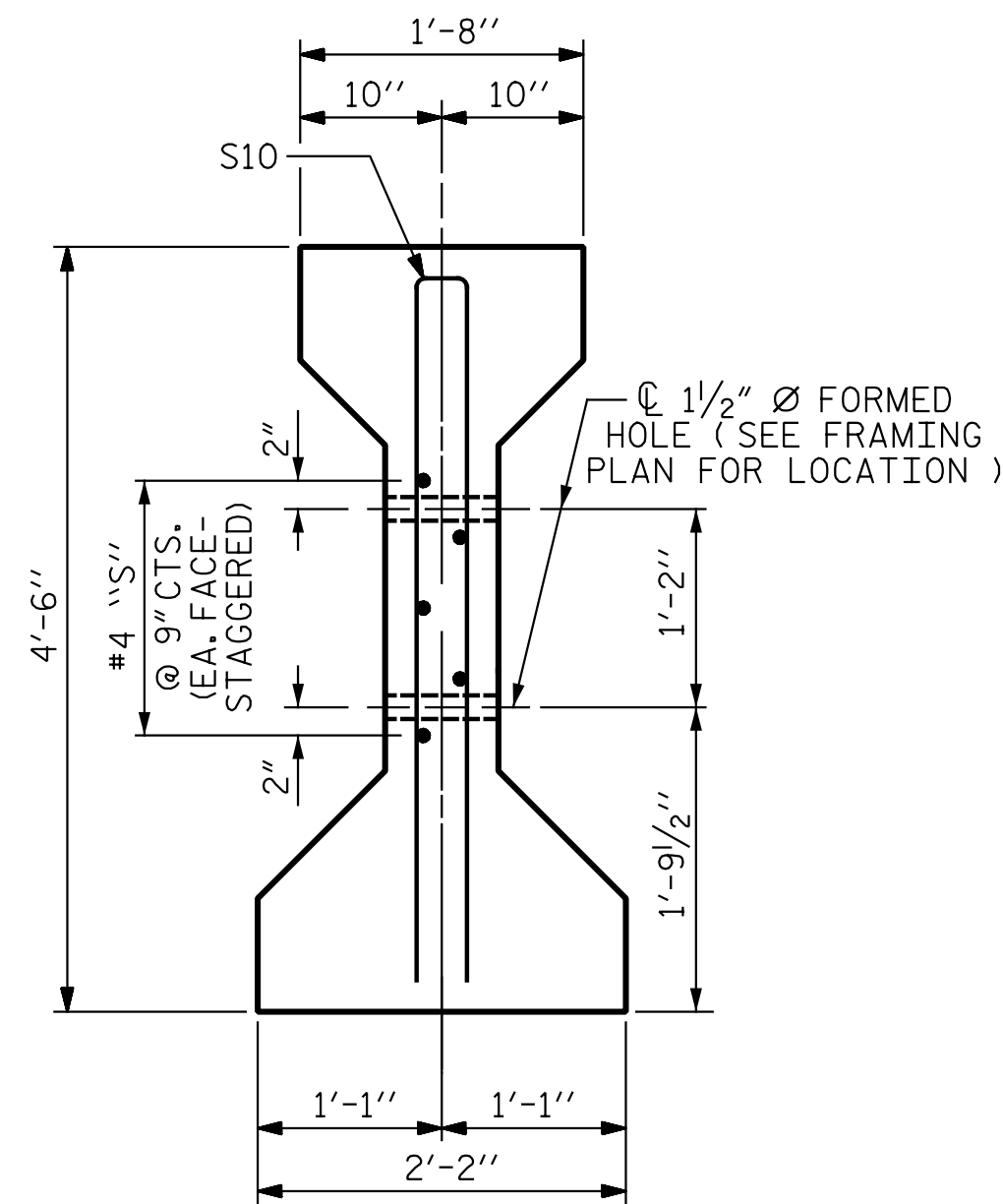


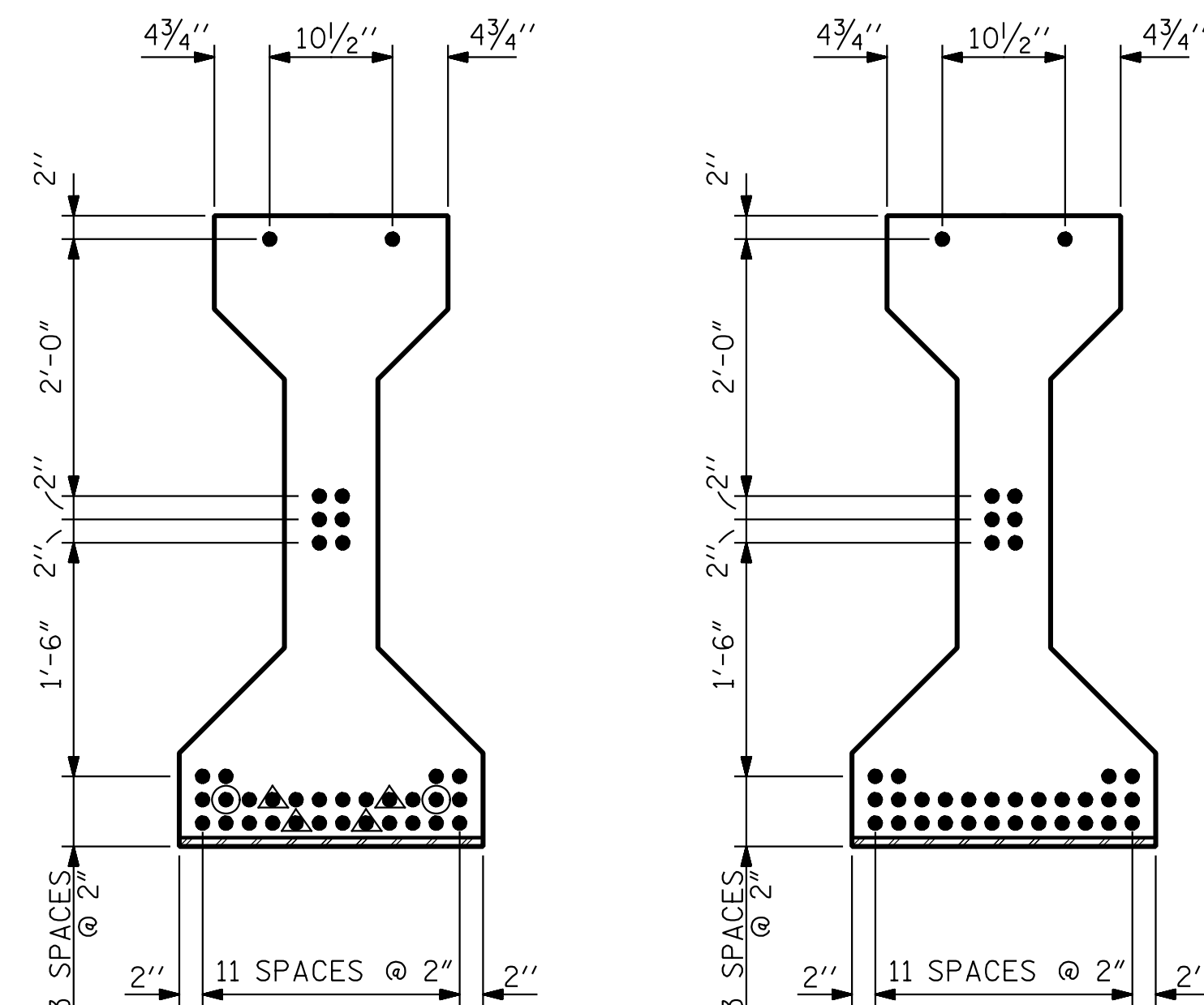
SECTION A-A



SECTION B-B

(S1 BARS NOT SHOWN)

\* FOR S7 BARS, SEE  
DETAIL "A" OF  
PRESTRESSED  
CONCRETE GIRDER  
CONTINUOUS FOR LIVE  
LOAD DETAILS SHEET



AT END OF GIRDER

AT C OF GIRDER

0.6" Ø LOW RELAXATION STRAND LAYOUT

DEBONDING LEGEND

- FULLY BONDED STRAND
- ▲ STRANDS DEBONDED FOR 4'-0" FROM END OF GIRDER
- ⊙ STRANDS DEBONDED FOR 6'-0" FROM END OF GIRDER

0.6" Ø L. R. GRADE 270 STRANDS

AREA (SQUARE INCHES)	ULTIMATE STRENGTH (LBS. PER STRAND)	APPLIED PRESTRESS (LBS. PER STRAND)
0.217	58,600	43,950

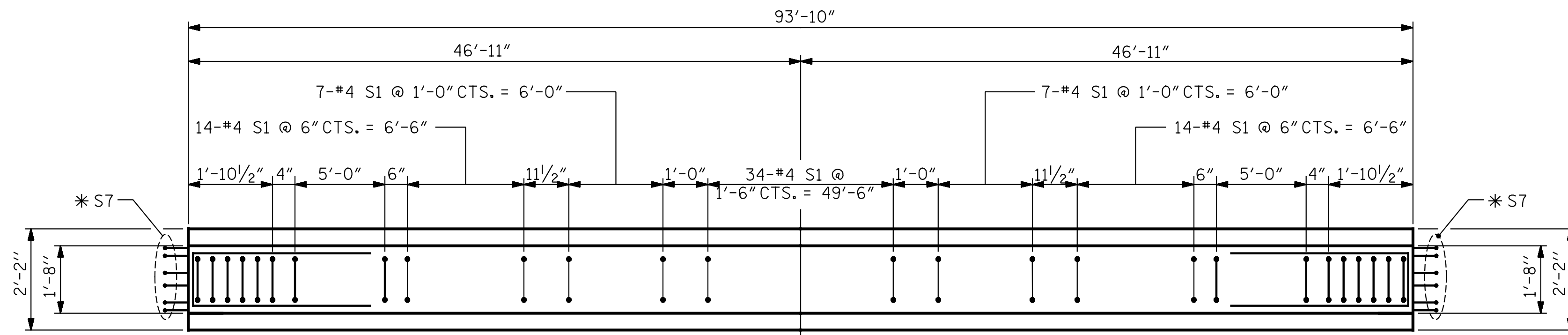
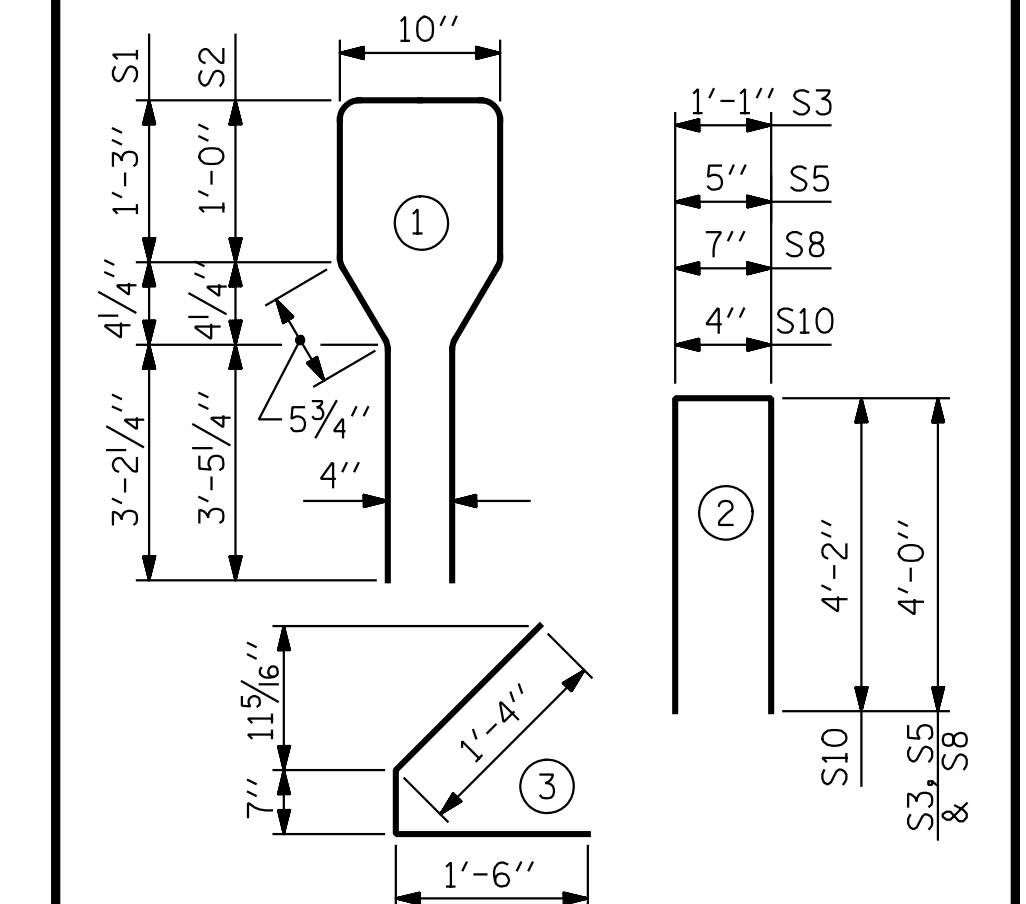
REINFORCING STEEL FOR ONE GIRDER

BAR	NUMBER	SIZE	TYPE	LENGTH	WEIGHT
S1	108	#4	1	10'-8"	770
S2	12	#6	1	10'-8"	192
S3	4	#4	2	9'-1"	24
S4	88	#4	3	3'-5"	201
S5	6	#4	2	8'-5"	34
S6	1	#4	2	9'-11"	7
*S7	12	#5	STR	3'-8"	46
S8	4	#4	2	8'-7"	23
S9	2	#3	STR	1'-10"	1
S10	2	#5	2	8'-8"	18
S11	5	#4	STR	7'-0"	23

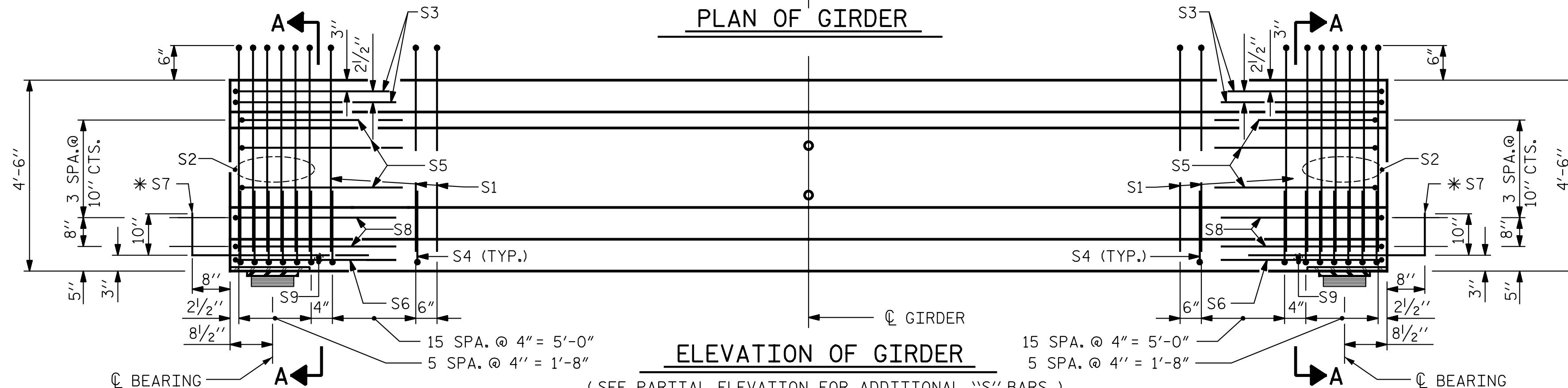
\* NOTE: S7 BARS SHALL BE BENT BEFORE SHIPMENT. HEAT BENDING SHALL NOT BE ALLOWED.

BAR TYPES

ALL BAR DIMENSIONS ARE OUT-TO-OUT

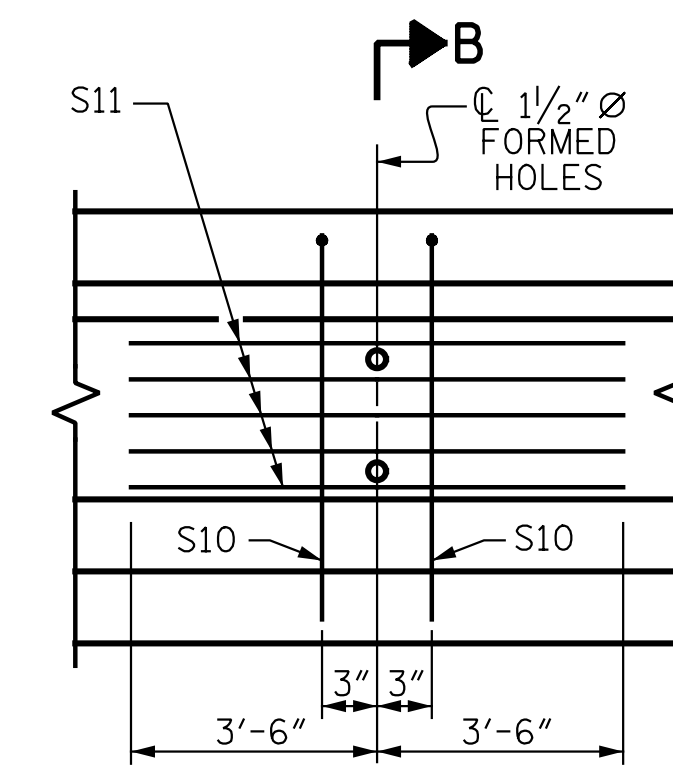


PLAN OF GIRDER



ELEVATION OF GIRDER

(SEE PARTIAL ELEVATION FOR ADDITIONAL "S" BARS)



PARTIAL ELEVATION

SHOWING INTERMEDIATE DIAPHRAGM REINFORCING STEEL

QUANTITIES FOR ONE GIRDER

REINFORCING STEEL LB.	8000 PSI CONCRETE C.Y.	0.6" Ø L. R. STRANDS No.
1332	19.0	36

GIRDERS REQUIRED

NUMBER	LENGTH	TOTAL LENGTH	
SPAN B	4	93'-10"	375'-4"
SPAN C	4	93'-10"	375'-4"
SPAN D	4	93'-10"	375'-4"

PROJECT NO. R-2514D

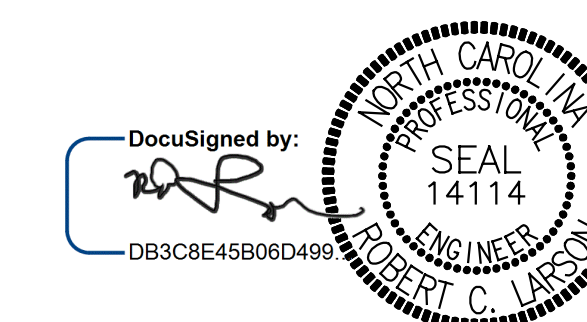
JONES COUNTY

STATION: 373+02.50 -L-

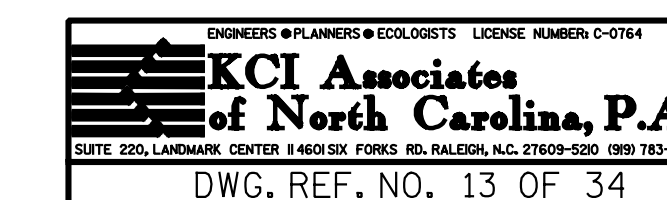
SHEET 2 OF 4

STATE OF NORTH CAROLINA  
DEPARTMENT OF TRANSPORTATION  
RALEIGH  
STANDARD  
AASHTO TYPE IV  
PRESTRESSED CONCRETE GIRDER  
SPAN B, C, OR D

LEFT LANE STR-#5



4/12/2015



DWG. REF. NO. 13 OF 34

DRAWN BY : JMB I2/87	REV. 8/16/99RR RWW/LES
CHECKED BY : ARB I2/87	REV. 5/1/06R TLA/GM
	REV. 10/1/11 MAA/GM
DESIGN ENGINEER OF RECORD:	DATE : 4/12/2015
DRAWN BY : Z. SU	DATE : 11/21/13
CHECKED BY : R. C. LARSON	DATE : 01/16/14

REVISIONS		SHEET NO.	
NO.	DATE	NO.	BY
1		3	
2		4	