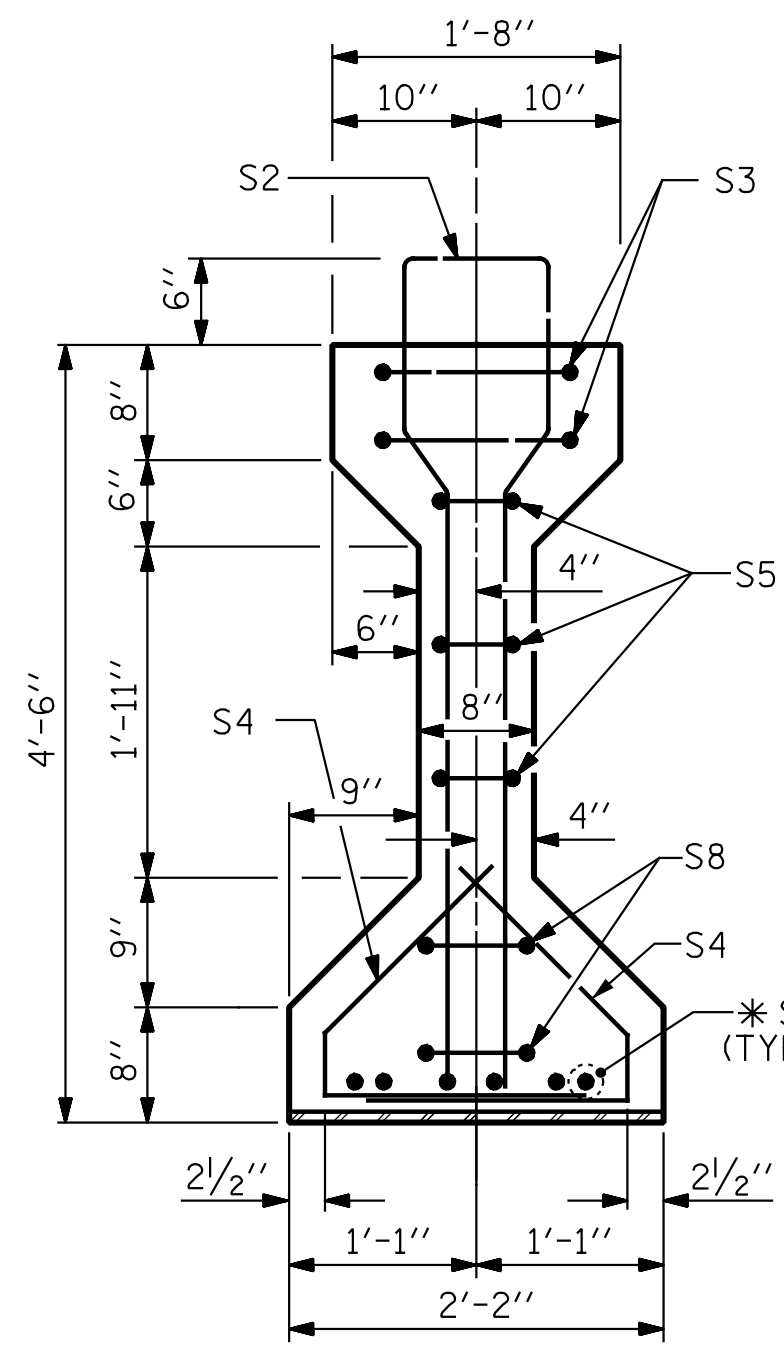
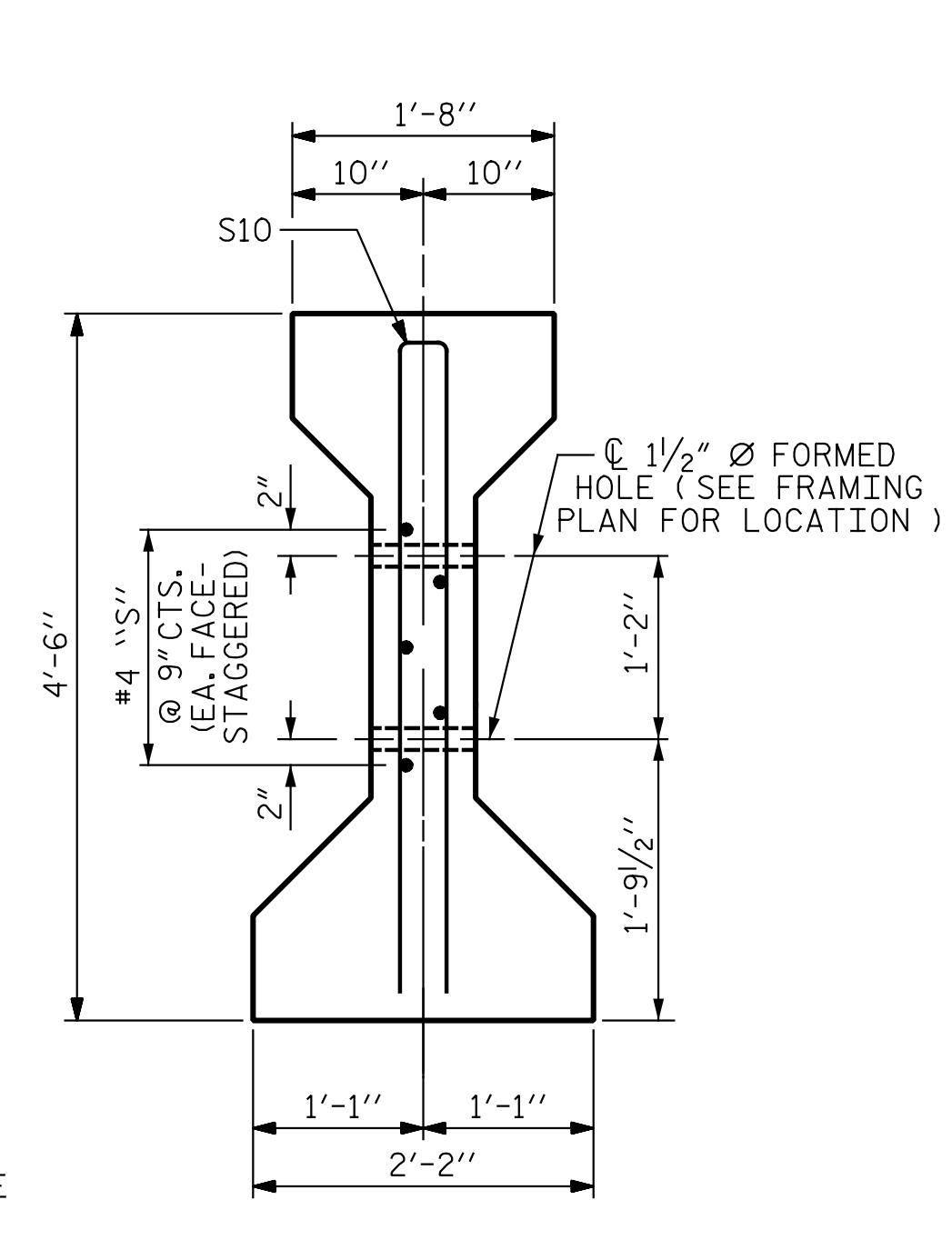


SECTION A-A

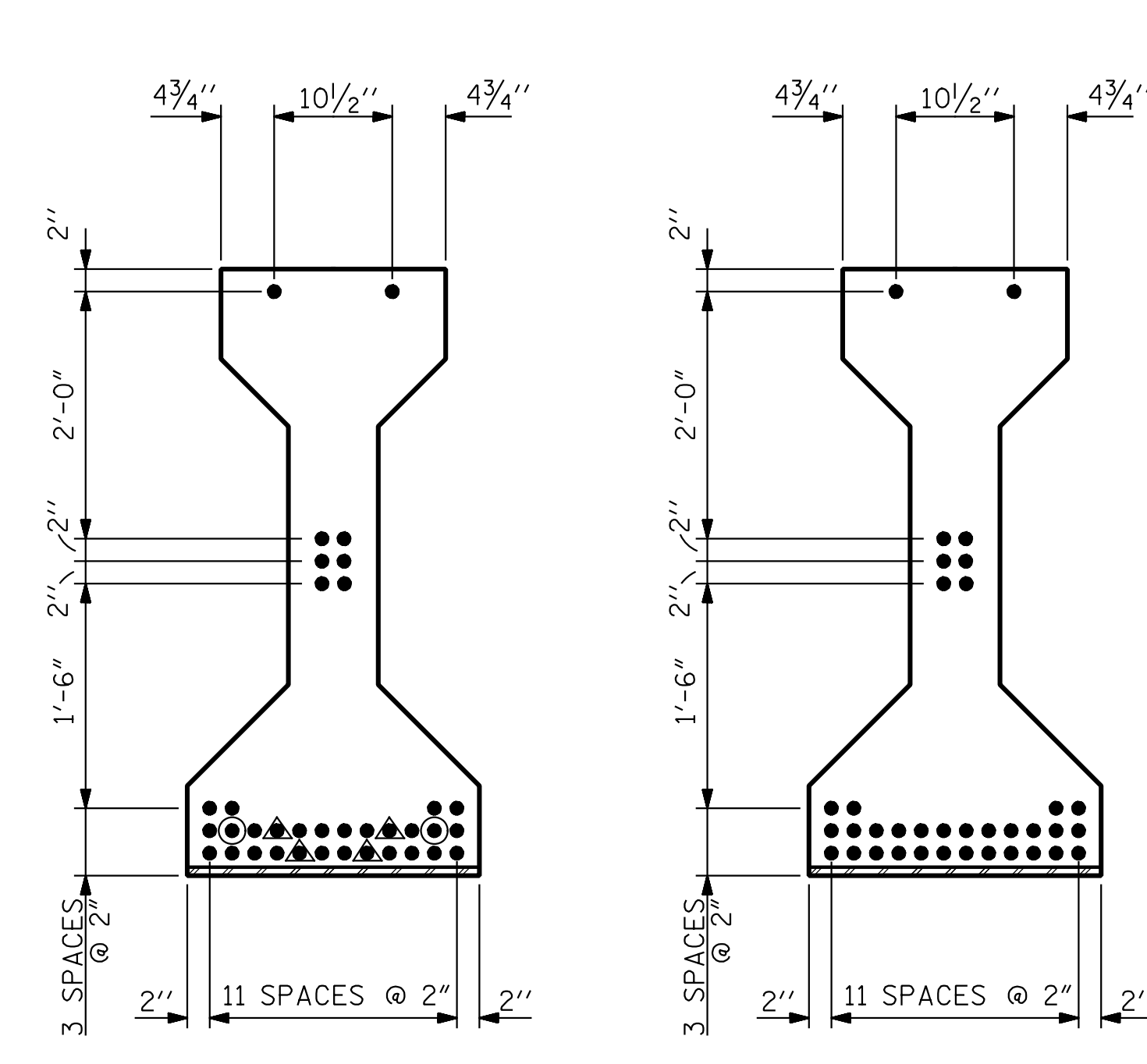


SECTION B-B



SECTION C-C  
(S1 BARS NOT SHOWN)

\* FOR S7 BARS, SEE  
DETAIL "A" OF  
PRESTRESSED  
CONCRETE GIRDER  
CONTINUOUS FOR LIVE  
LOAD DETAILS SHEET



AT END OF GIRDER      AT C OF GIRDER

0.6" Ø LOW RELAXATION STRAND LAYOUT

DEBONDING LEGEND

- FULLY BONDED STRAND
- ▲ STRANDS DEBONDED FOR 4'-0" FROM END OF GIRDER
- STRANDS DEBONDED FOR 6'-0" FROM END OF GIRDER

0.6" Ø L. R. GRADE 270 STRANDS		
AREA (SQUARE INCHES)	ULTIMATE STRENGTH (LBS. PER STRAND)	APPLIED PRESTRESS (LBS. PER STRAND)
0.217	58,600	43,950

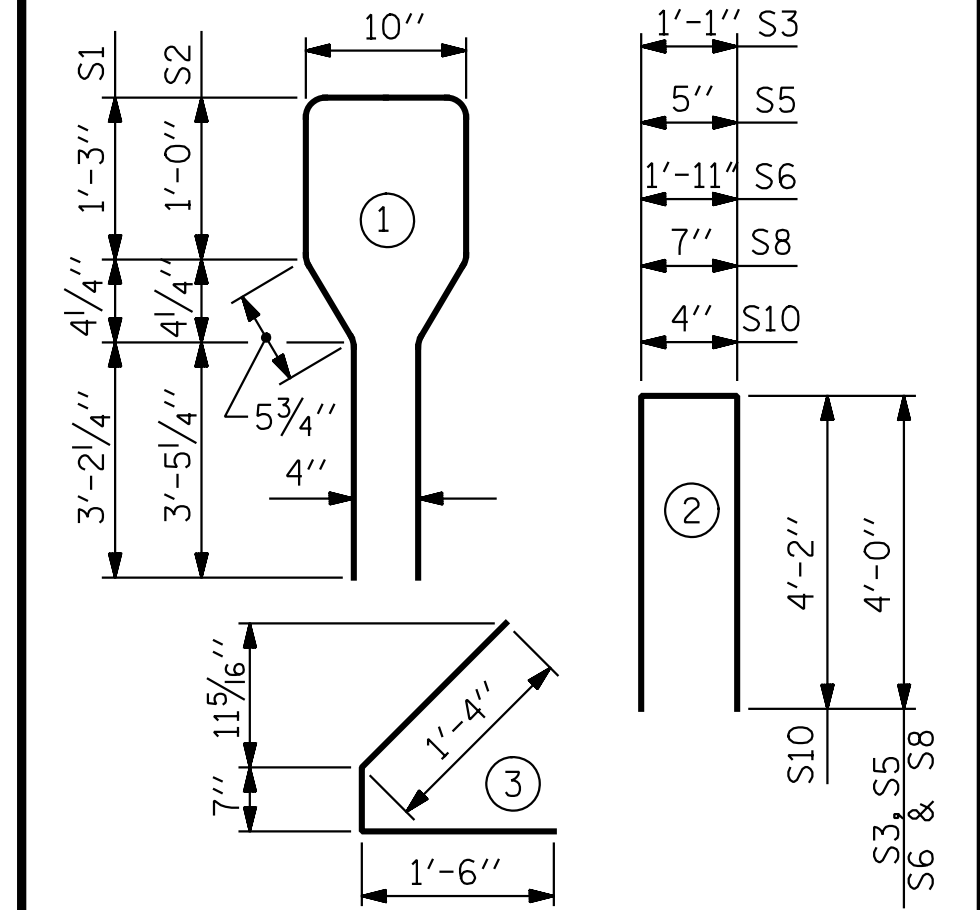
REINFORCING STEEL FOR ONE GIRDER

BAR	NUMBER	SIZE	TYPE	LENGTH	WEIGHT
S1	108	#4	1	10'-8"	770
S2	12	#6	1	10'-8"	192
S3	4	#4	2	9'-1"	24
S4	88	#4	3	3'-5"	201
S5	6	#4	2	8'-5"	34
S6	1	#4	2	9'-11"	7
*S7	6	#5	STR	3'-8"	23
S8	4	#4	2	8'-7"	23
S9	1	#3	STR	1'-10"	1
S10	2	#5	2	8'-8"	18
S11	5	#4	STR	7'-0"	23

\* NOTE: S7 BARS SHALL BE BENT BEFORE SHIPMENT. HEAT BENDING SHALL NOT BE ALLOWED.

BAR TYPES

ALL BAR DIMENSIONS ARE OUT-TO-OUT

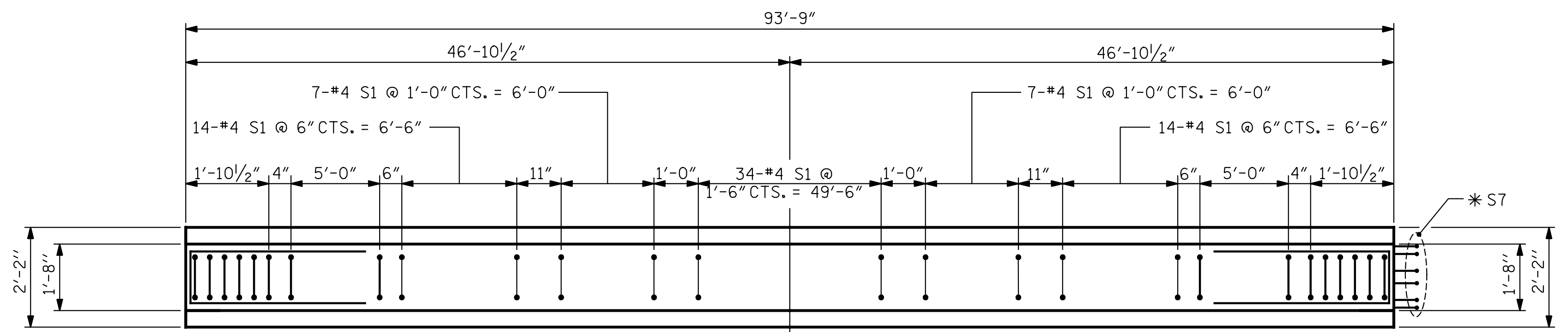


QUANTITIES FOR ONE GIRDER

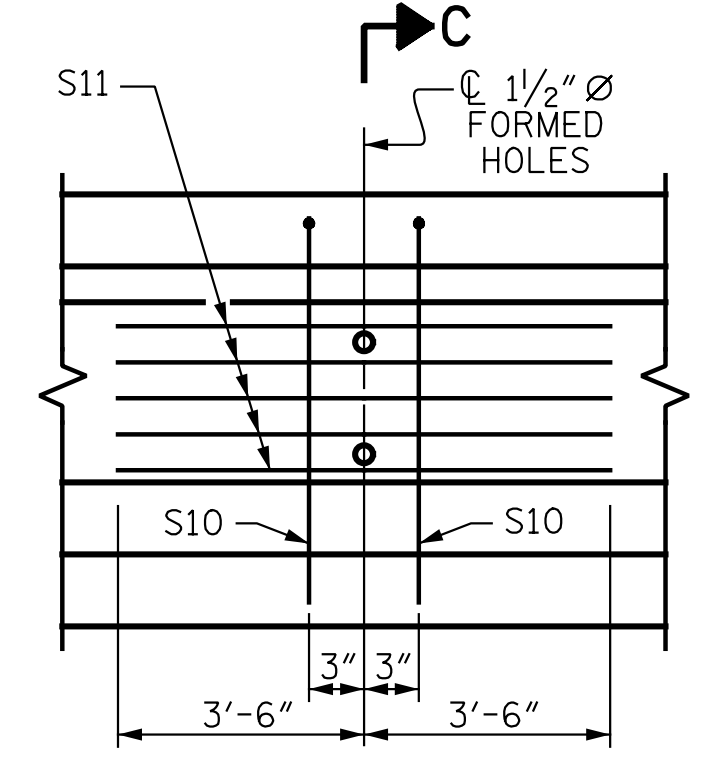
REINFORCING STEEL LB.	8000 PSI CONCRETE C.Y.	0.6" Ø L. R. STRANDS No.
1316	19.0	36

GIRDERS REQUIRED

SPAN	NUMBER	LENGTH	TOTAL LENGTH
SPAN A	4	93'-9"	375'-0"
SPAN E	4	93'-9"	375'-0"

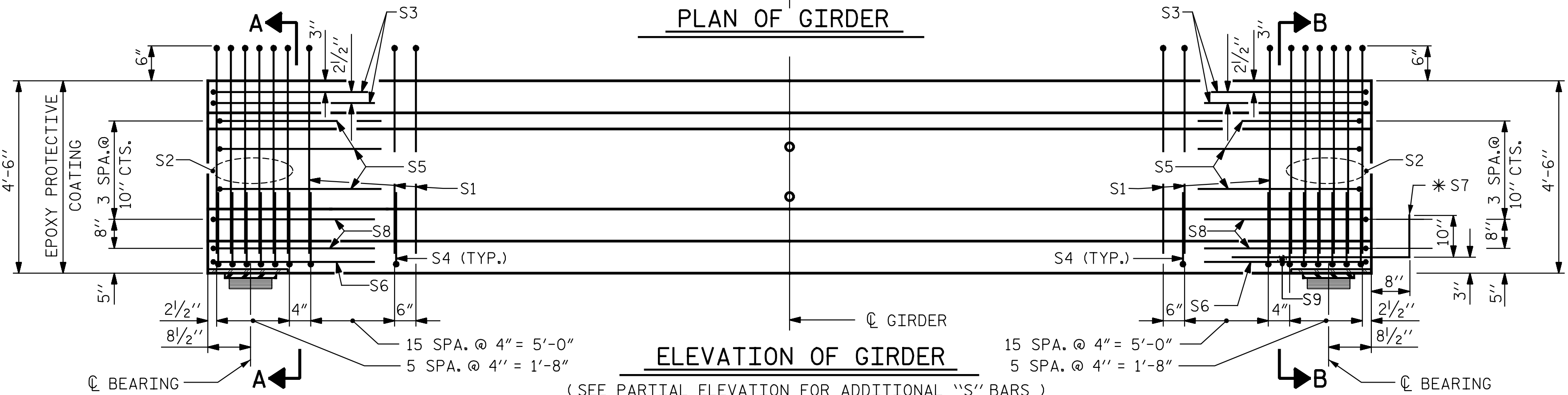


PLAN OF GIRDER



PARTIAL ELEVATION

SHOWING INTERMEDIATE DIAPHRAGM REINFORCING STEEL



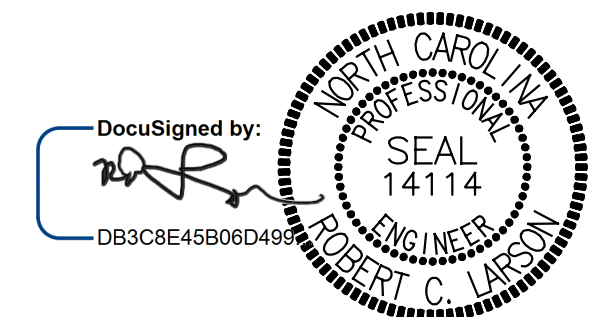
ELEVATION OF GIRDER

(SEE PARTIAL ELEVATION FOR ADDITIONAL "S" BARS)

EXP.

FIXED

DRAWN BY : JMB 12/87	REV. 8/16/99RR RWW/LES
CHECKED BY : ARB 12/87	REV. 5/1/06R TLA/GM
	REV. 10/1/11 MAA/GM
DESIGN ENGINEER OF RECORD	DATE : 4/12/2015
DRAWN BY : Z. SU	DATE : 11/21/13
CHECKED BY : R. C. LARSON	DATE : 01/16/14



KCI Associates of North Carolina, P.A.  
DWG. REF. NO. 12 OF 34

PROJECT NO. R-2514D  
JONES COUNTY  
STATION: 373+02.50 -L-

STATE OF NORTH CAROLINA  
DEPARTMENT OF TRANSPORTATION  
RALEIGH  
STANDARD  
AASHTO TYPE IV  
PRESTRESSED CONCRETE GIRDER  
SPAN A OR E

REVISIONS		SHEET NO.
NO.	DATE	BY
1		3
2		4

STD. NO. PCG6 LEFT LANE STR-#5

REVISIONS		SHEET NO.
NO.	DATE	BY
1		3
2		4