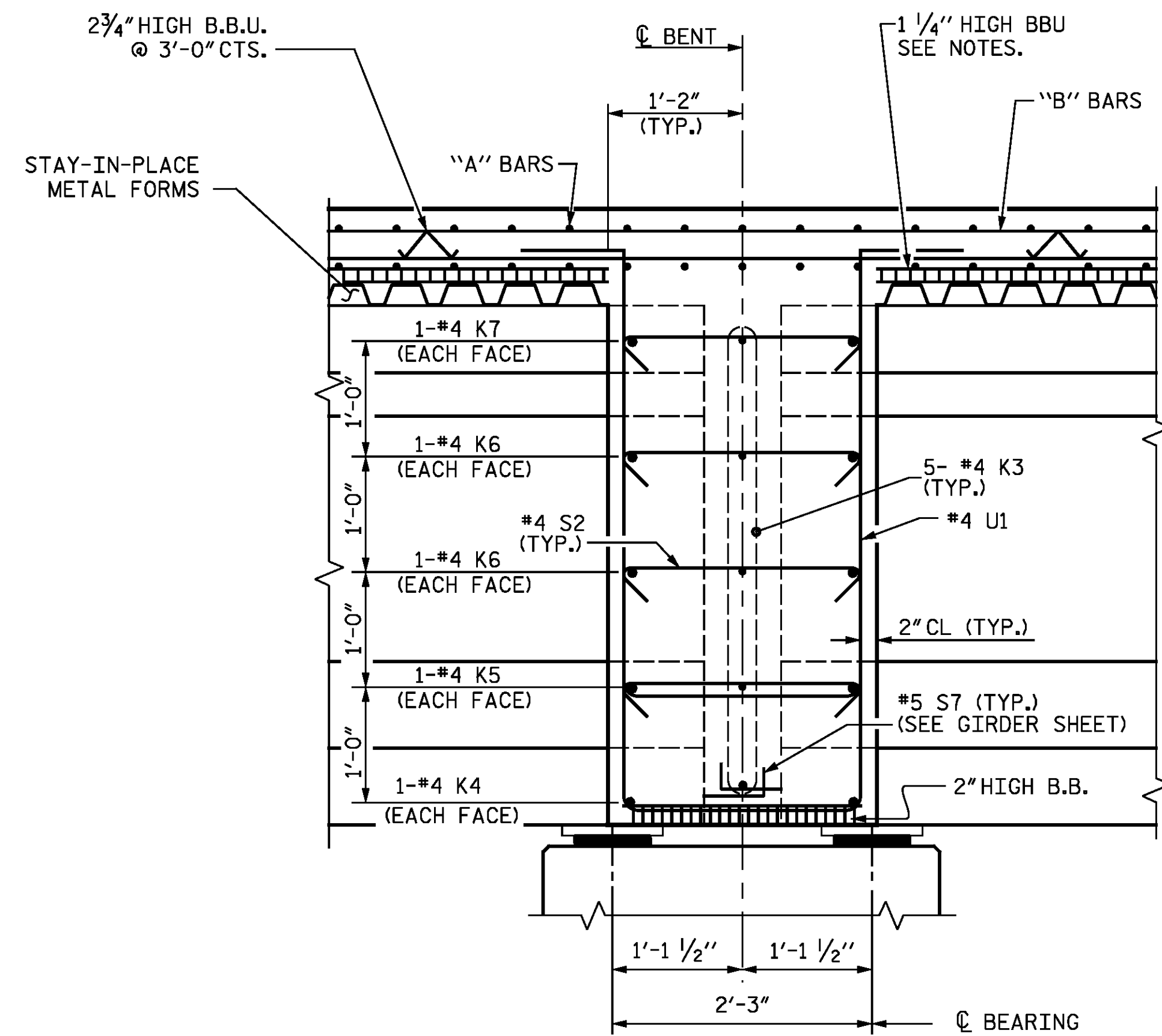
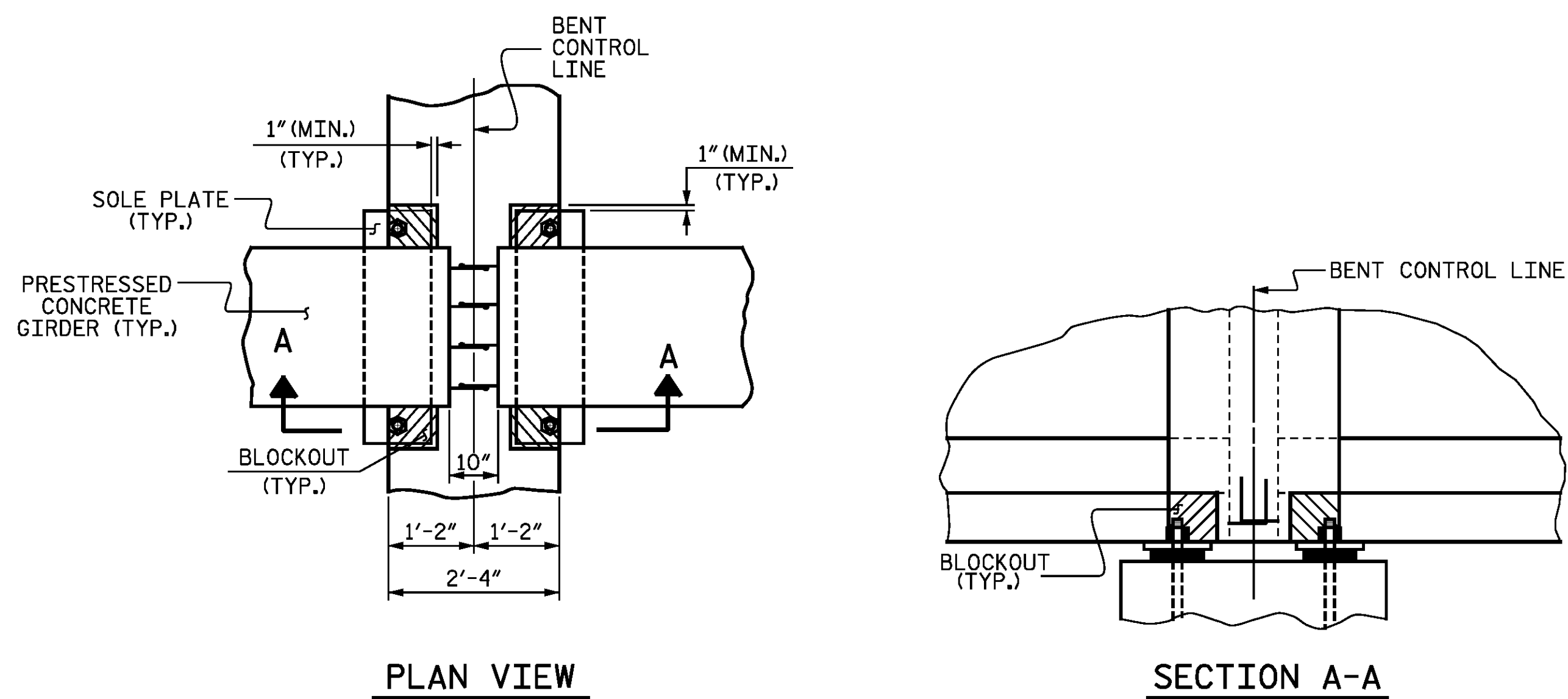


SECTION A-A THRU END BENT DIAPHRAGM

* #5 G1 MAY BE SHIFTED SLIGHTLY AS NECESSARY TO CLEAR REINFORCING STEEL AND STIRRUPS



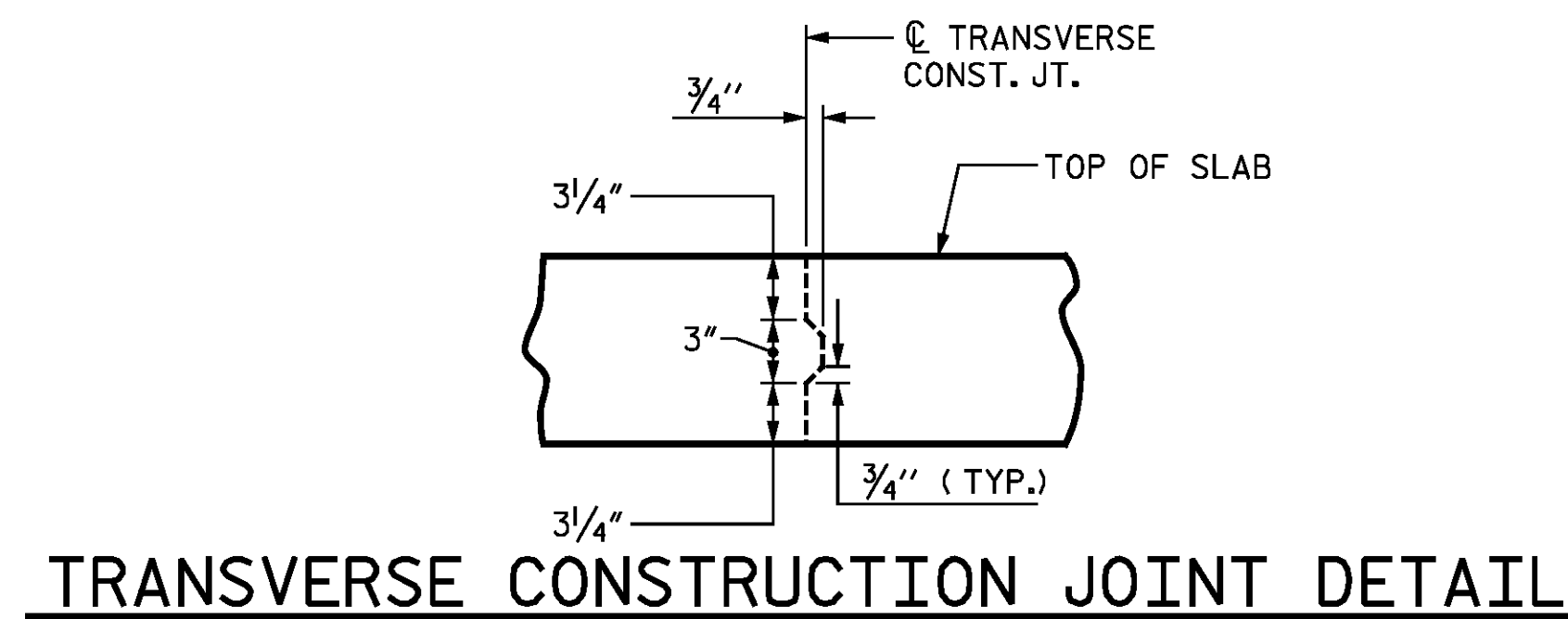
SECTION B-B THRU BENT DIAPHRAGM



PLAN VIEW

SECTION A-A

BENT DIAPHRAGM BLOCKOUT DETAIL
(PRESTRESSED GIRDERS WITH CONTINUOUS DECK SLAB)



TRANSVERSE CONSTRUCTION JOINT DETAIL

NOTE: REINFORCING STEEL IN SLAB NOT SHOWN. LONGITUDINAL REINFORCING STEEL SHALL BE CONTINUOUS THRU JOINT

PROJECT NO. R-2514D
JONES COUNTY
STATION: 373+02.50 -L-

SHEET 3 OF 3

STATE OF NORTH CAROLINA
DEPARTMENT OF TRANSPORTATION
RALEIGH

**SUPERSTRUCTURE
TYPICAL SECTION**

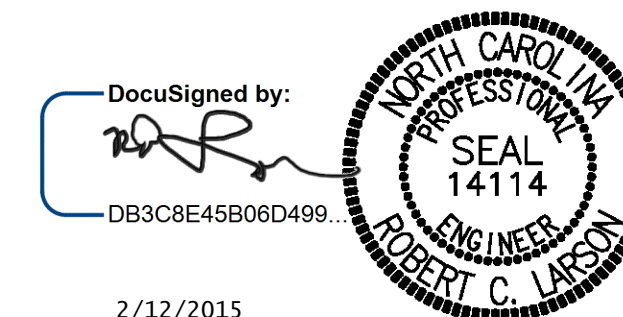
LEFT LANE STR-#5

DocuSigned by:
[Signature]
DB3C8E45B06D499

DESIGN ENGINEER OF RECORD: DATE : 2/12/2015

DRAWN BY : Z. SU DATE : 11/19/13

CHECKED BY : R. C. LARSON DATE : 01/16/14



2/12/2015

DRS0225 #PLANNERS & ENGINEERS LICENSE NUMBER: 0-0764
KCI Associates
of North Carolina, P.A.
SUITE 200, LANDMARK CENTER 1400 SIX FORKS RD. RALEIGH, N.C. 27609-5300 (919) 783-2044
DWG. REF. NO. 7 OF 34

REVISIONS				SHEET NO.	
NO.	BY:	DATE:	NO.	BY:	DATE:
1			3		
2			4		

TOTAL SHEETS: S05-34