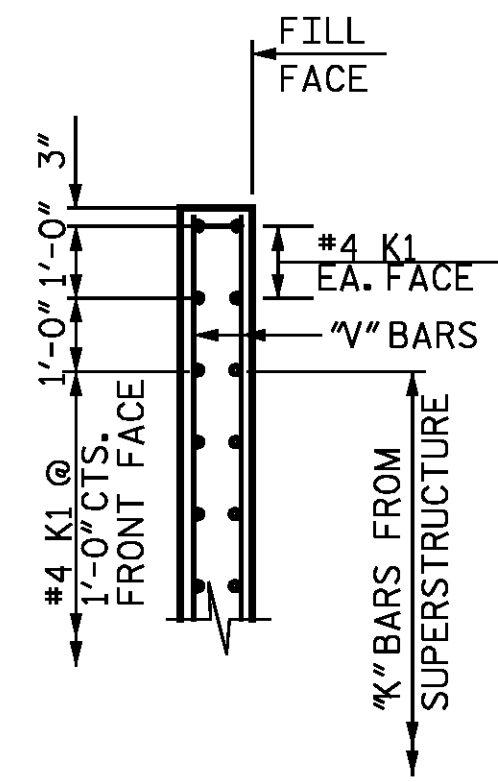
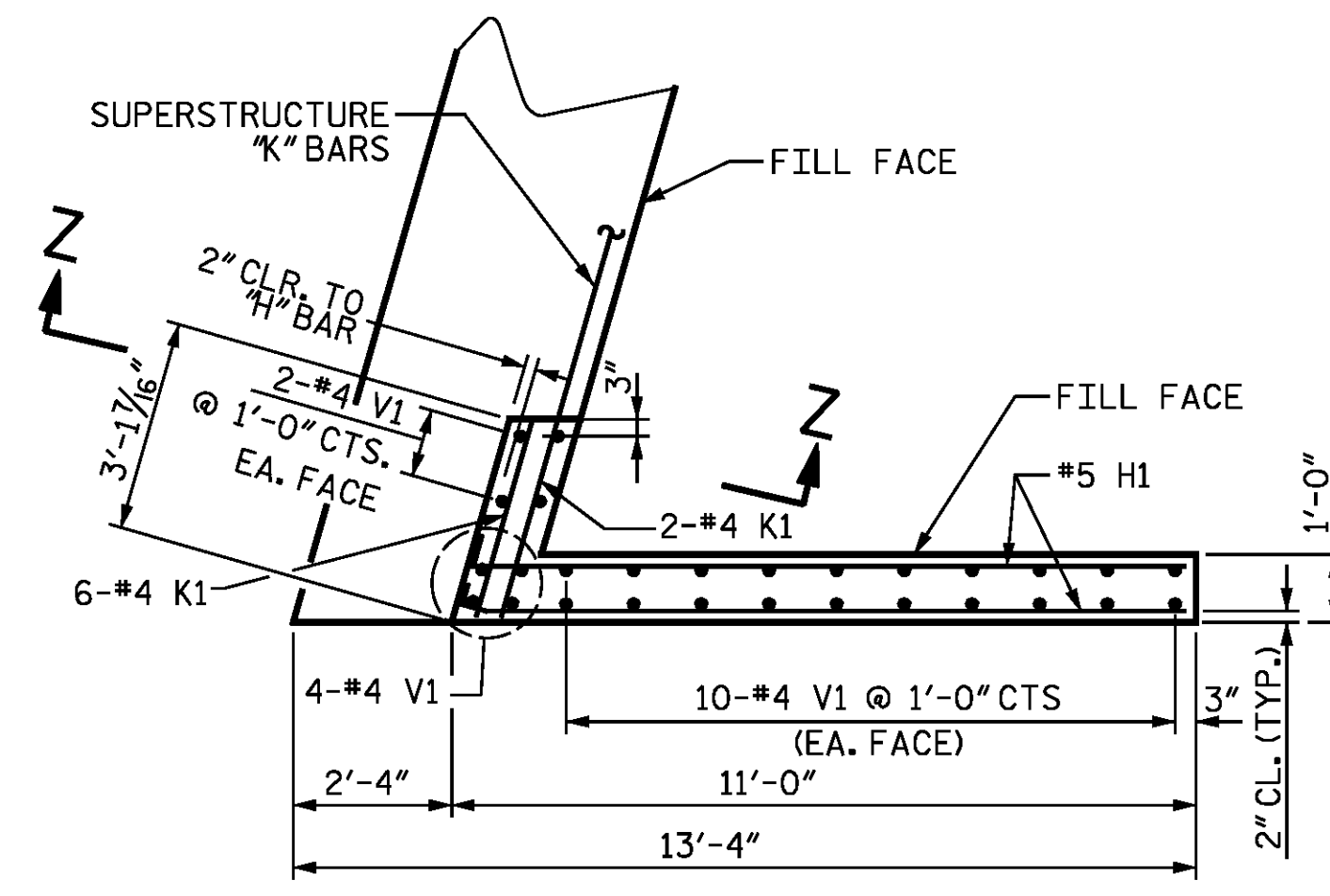


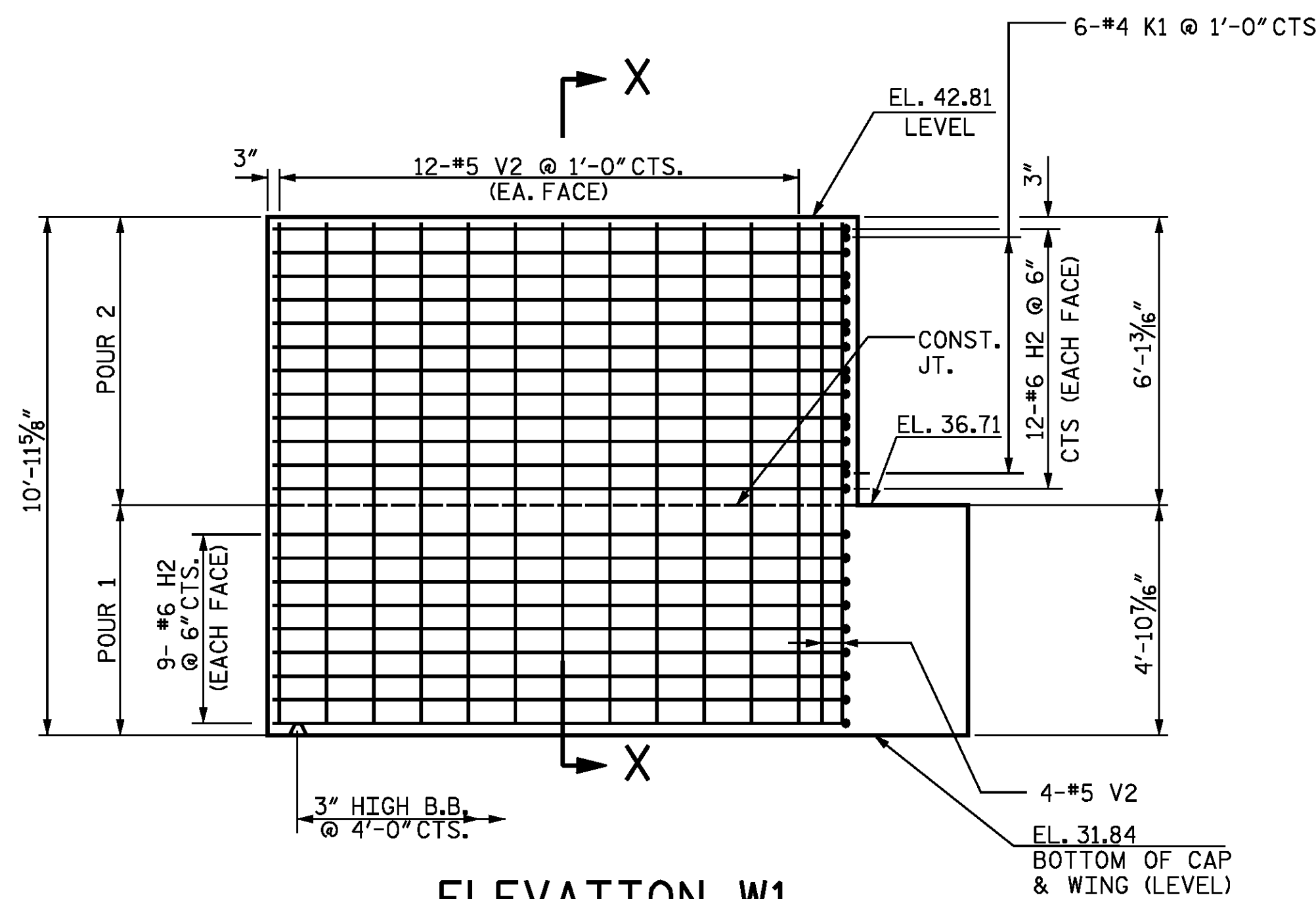
PLAN W1



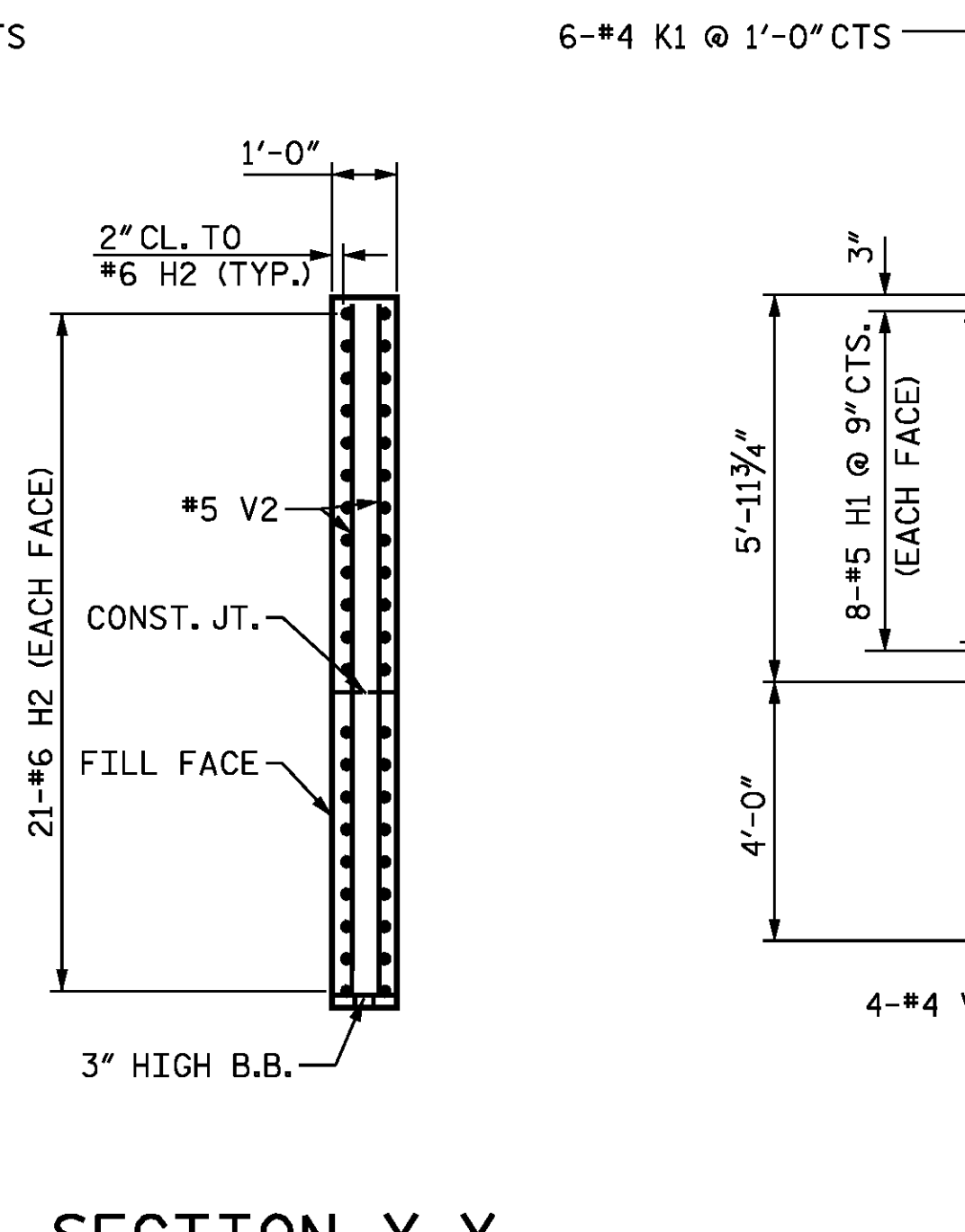
SECTION Z-Z



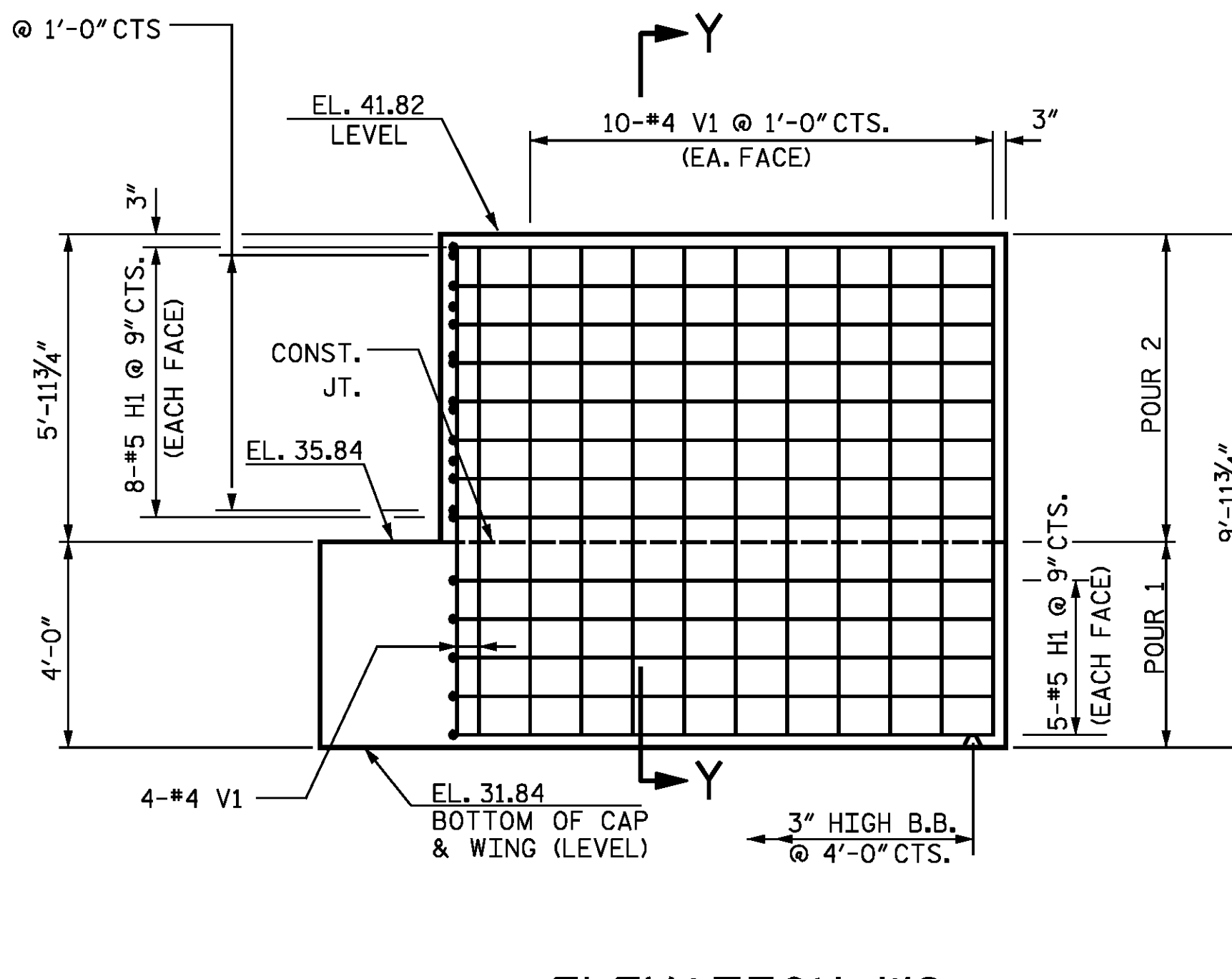
PLAN W2



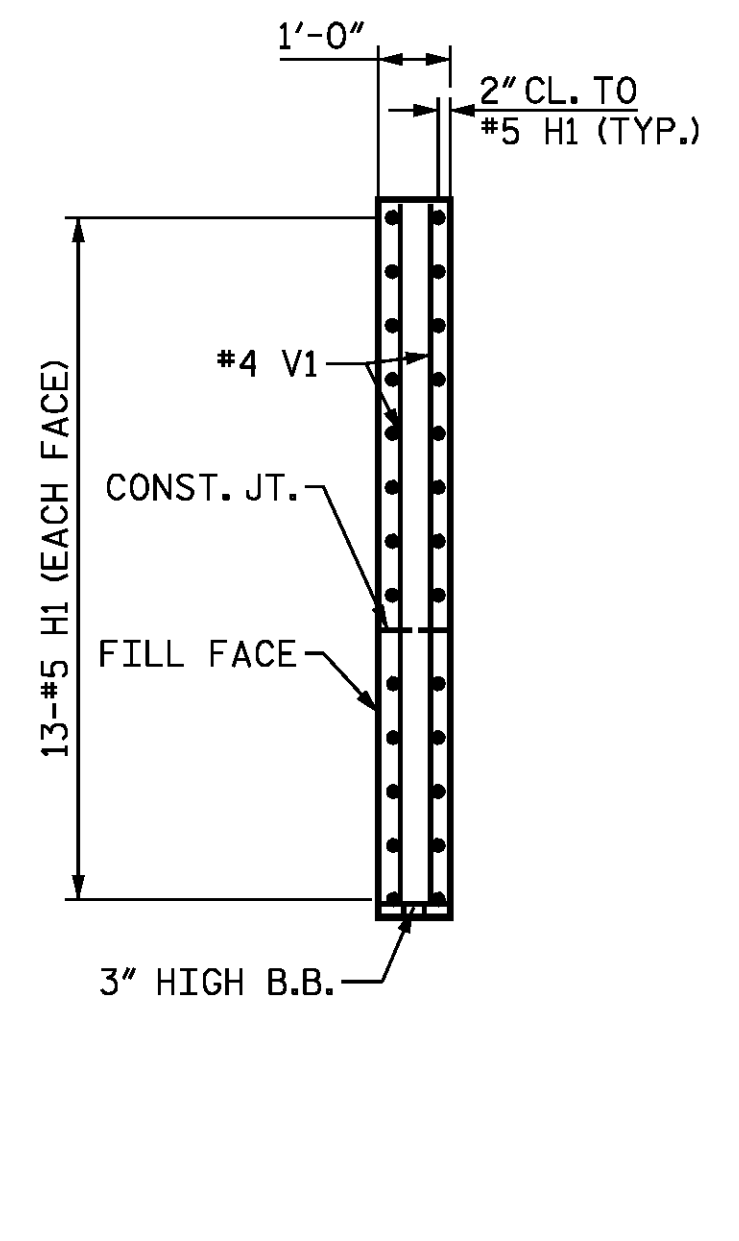
ELEVATION W1



SECTION X-X



ELEVATION W2



SECTION Y-Y

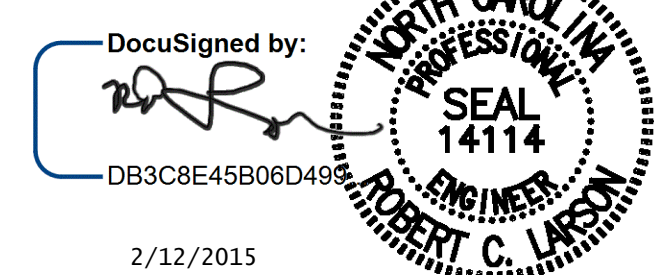
PROJECT NO. R-2514D
JONES COUNTY
 STATION: 363+38.90 -L-

SHEET 2 OF 3

STATE OF NORTH CAROLINA
 DEPARTMENT OF TRANSPORTATION
 RALEIGH

SUBSTRUCTURE
 END BENT 2

RIGHT LANE STR-#4



DocuSigned by:

DB3C8E45B06D499...

2/12/2015

DocuSigned by:
 DB3C8E45B06D499...

DESIGN ENGINEER OF RECORD: DATE: 2/12/2015
 DRAWN BY: R. J. FLORY DATE: 3/04/14
 CHECKED BY: R. C. LARSON DATE: 3/05/14

KCI Associates
 of North Carolina, P.A.
 DWG. REF. NO. 19 OF 23

REVISIONS						SHEET NO. S04-19
NO.	BY:	DATE:	NO.	BY:	DATE:	
1			3			TOTAL SHEETS S04-23
2			4			