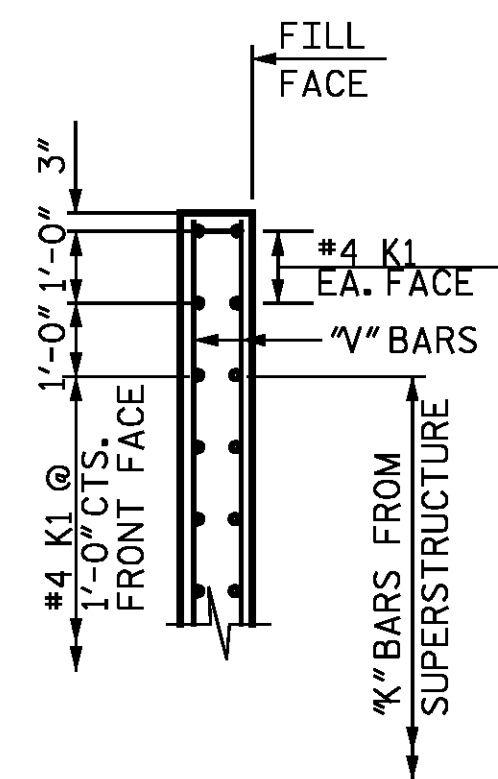
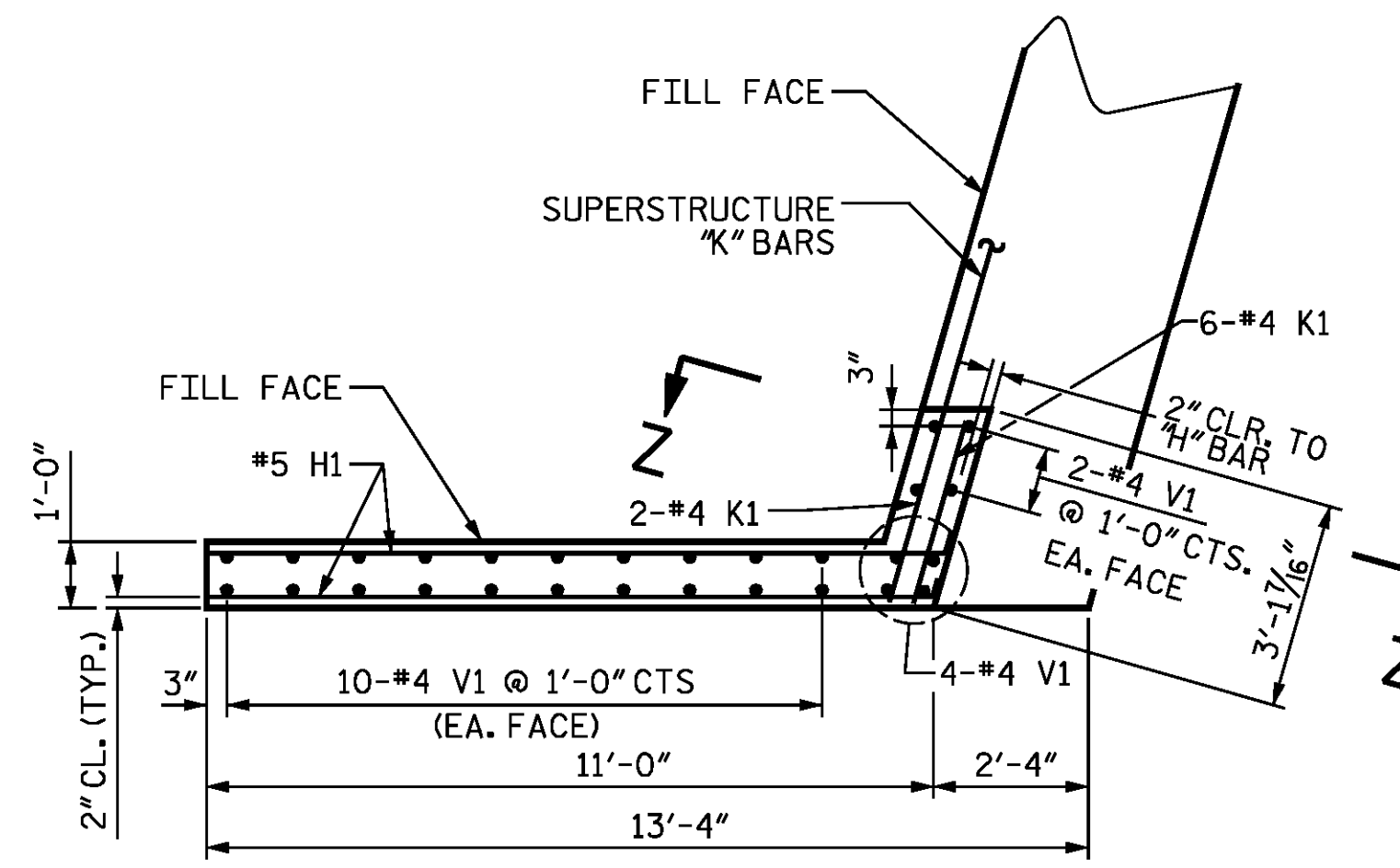


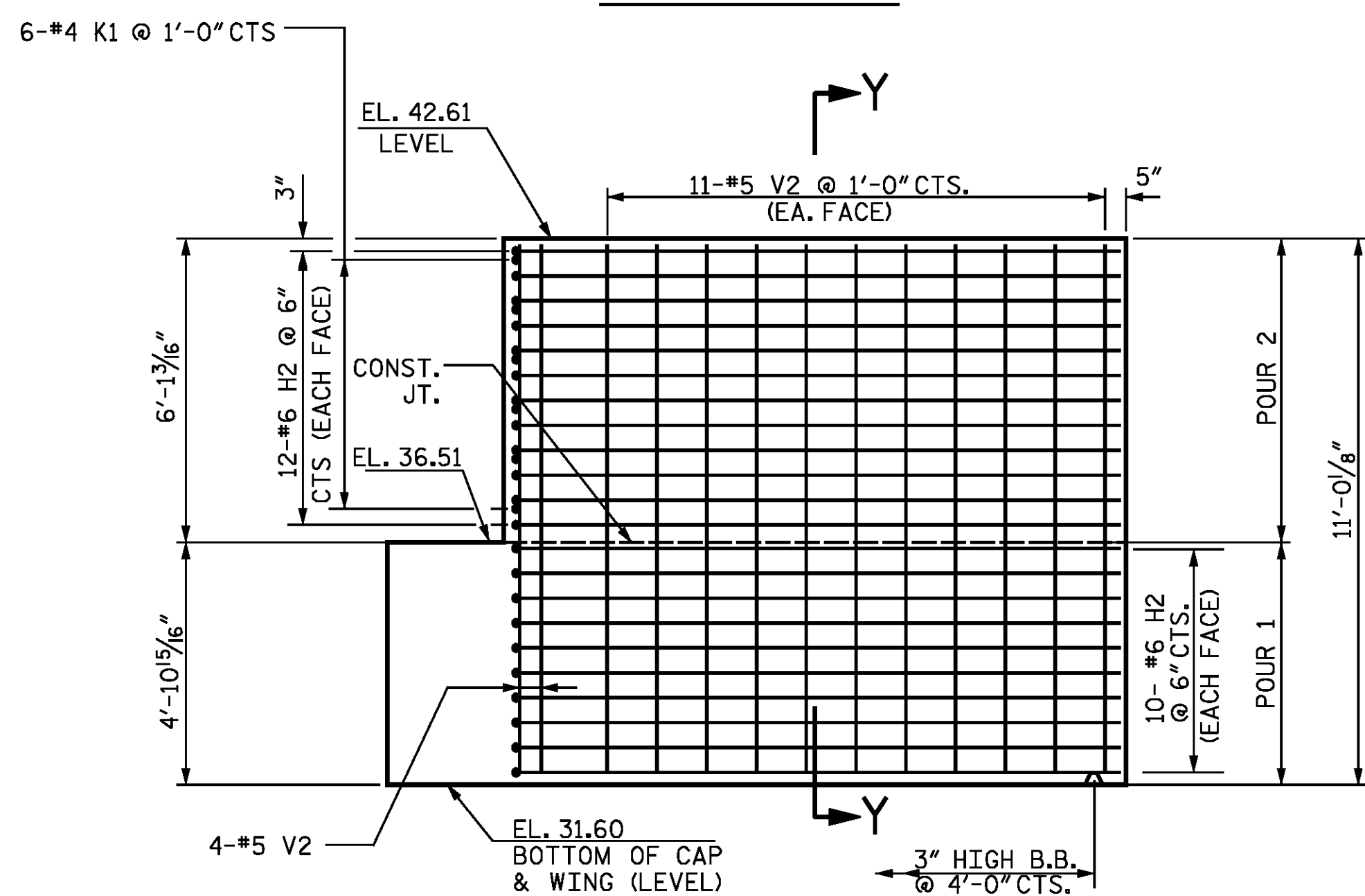
PLAN W1



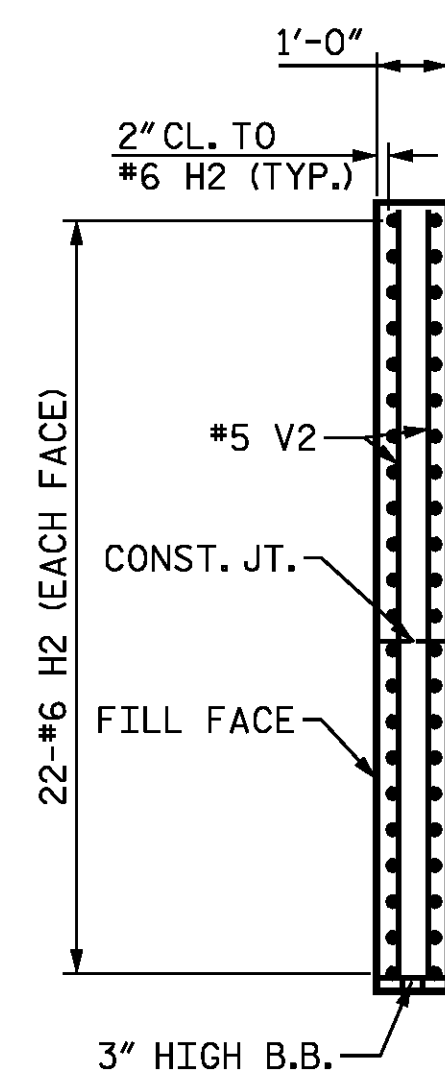
SECTION Z-Z



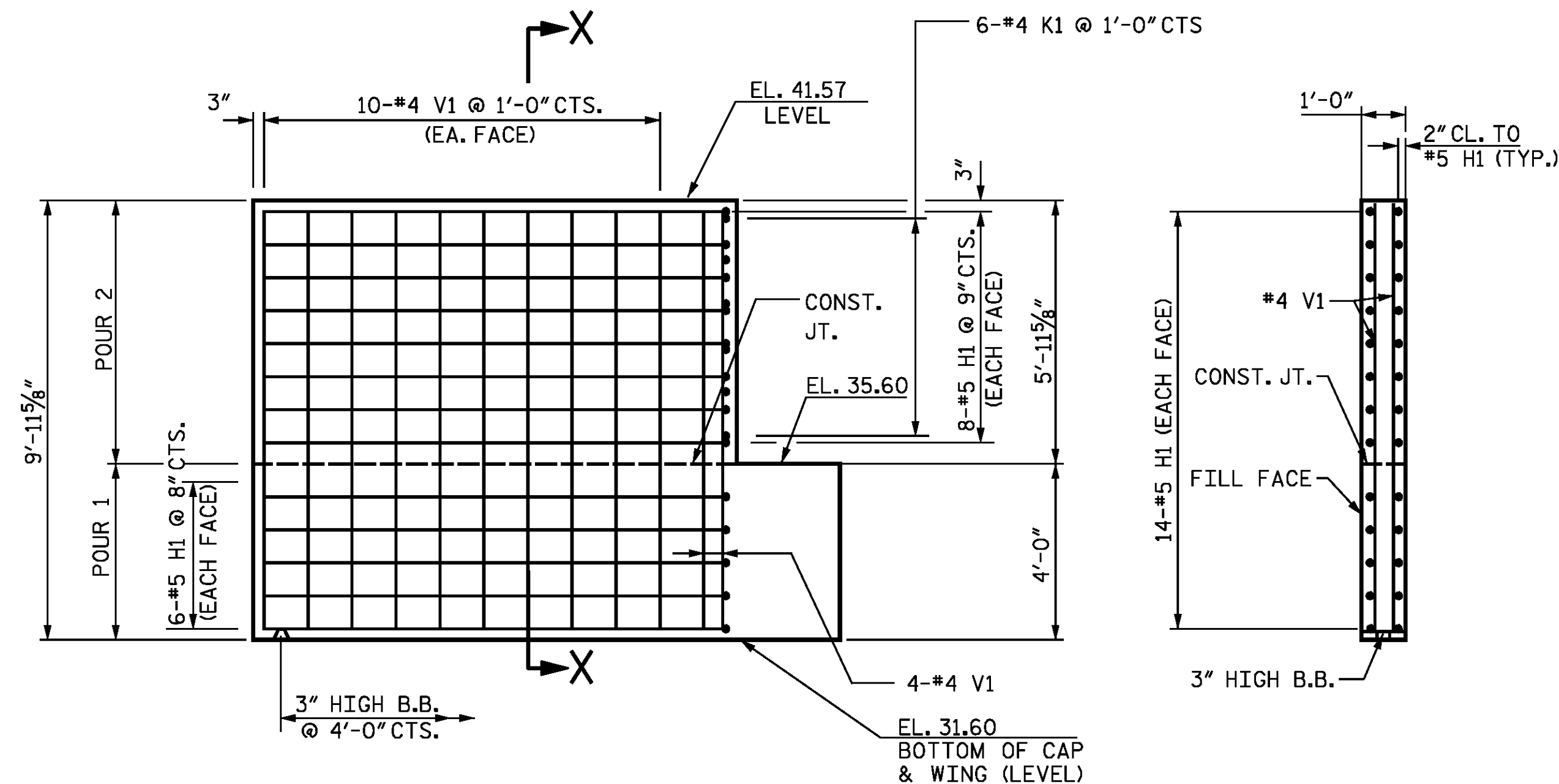
PLAN W2



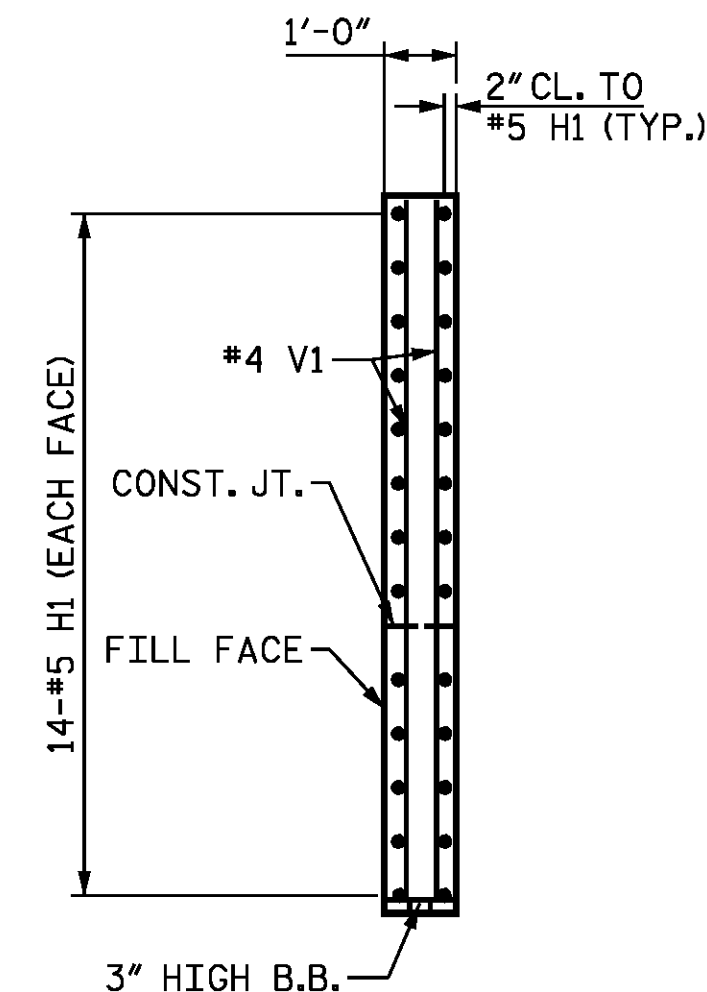
ELEVATION W1



SECTION Y-Y



ELEVATION W2



SECTION X-X

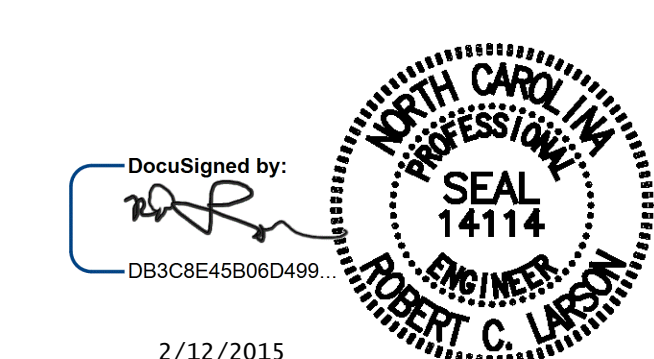
PROJECT NO. R-2514D
JONES COUNTY
 STATION: 363+38.90 -L-

SHEET 2 OF 3

STATE OF NORTH CAROLINA
 DEPARTMENT OF TRANSPORTATION
 RALEIGH

SUBSTRUCTURE
 END BENT 1

RIGHT LANE STR-#4



DocuSigned by:

DB3C8E45B06D499

2/12/2015

DocuSigned by:

DESIGN ENGINEER OF RECORD: DATE : 2/12/2015

DRAWN BY : R. C. LARSON DATE : 02/28/14
 CHECKED BY : R. J. FLORY DATE : 03/03/14

KCI Associates
 of North Carolina, P.A.
 DWG. REF. NO. 16 OF 23

REVISIONS						SHEET NO.	
NO.	BY:	DATE:	NO.	BY:	DATE:	S04-16	
1			3			TOTAL SHEETS	
2			4			S04-23	