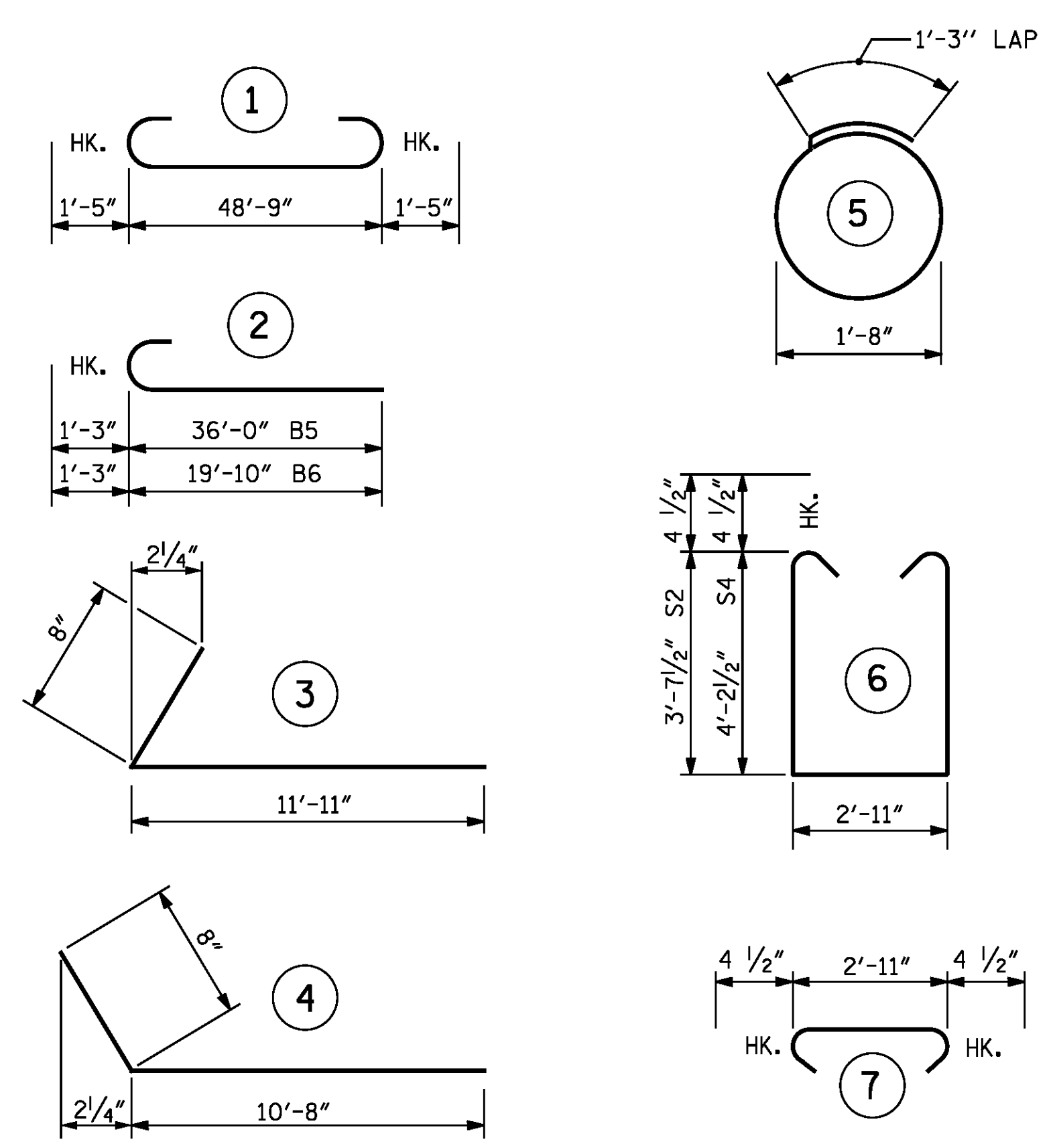


SECTION A-A

* THE TOP SURFACE OF THE CAP AND WINGS SHALL BE RAKED TO A DEPTH OF 1/4" EXCEPT THE BEARING AREAS AND CAP OUTSIDE OF SUPERSTRUCTURE.

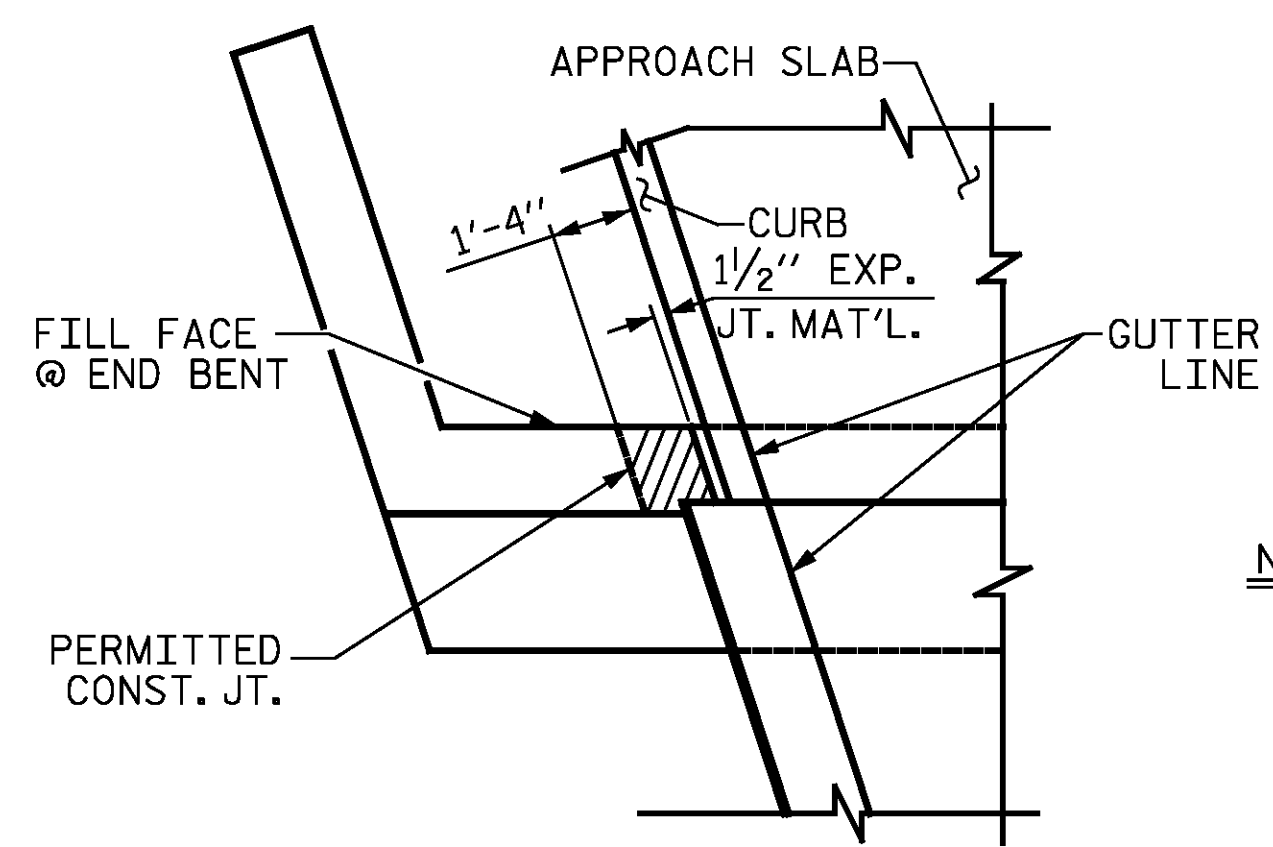
BAR TYPES



ALL BAR DIMENSIONS ARE OUT TO OUT.

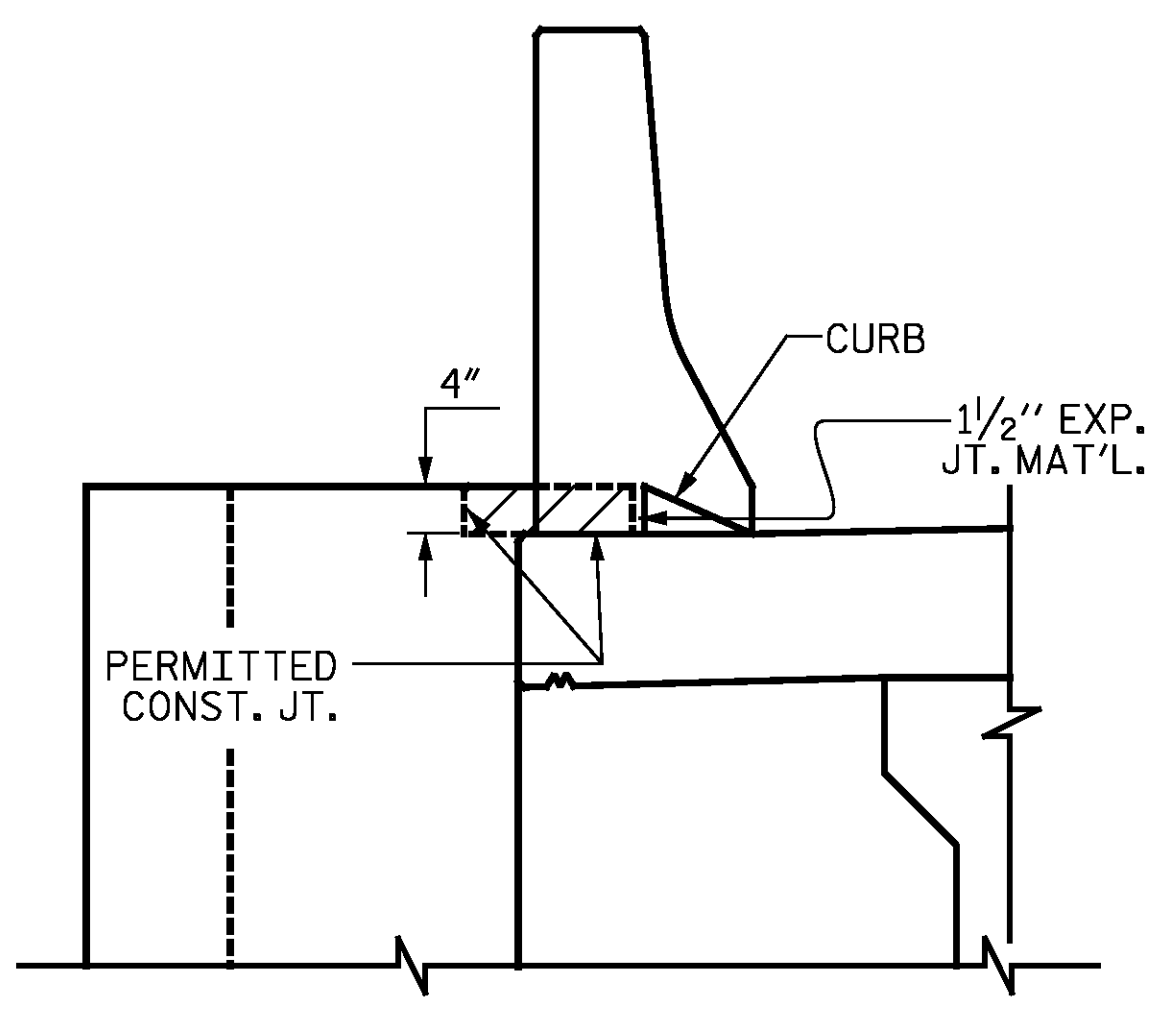
BILL OF MATERIAL

END BENT 2					
BAR	NO.	SIZE	TYPE	LENGTH	WEIGHT
B1	4	10	1	51'-7"	888
B2	12	4	STR.	2'-11"	23
B3	28	4	STR.	25'-8"	480
B4	2	4	STR.	15'-3"	20
B5	5	9	2	37'-3"	633
B6	5	9	2	21'-1"	358
D1	62	4	STR.	6'-8"	276
H1	28	5	4	11'-4"	331
H2	44	6	3	12'-7"	832
K1	16	4	STR.	2'-9"	29
S1	28	4	5	6'-6"	122
S2	23	4	6	10'-11"	168
S3	38	4	7	3'-8"	93
S4	15	4	6	12'-1"	121
V1	28	4	STR.	9'-8"	181
V2	30	5	STR.	10'-7"	331
REINFORCING STEEL, LB					4886
CLASS A CONCRETE, CY POUR 1					30.5
(POUR 2 INCLUDED IN SUPERSTRUCTURE)					
HP 12X53 STEEL PILES					NO. 7
					LF 420
PILE REDRIVES, EA					4



PLAN

NOTE
THE CONCRETE IN THE SHADED AREA OF THE WING SHALL BE POURED AFTER THE BARRIER RAIL IS CAST IF SLIP FORMING IS USED.



ELEVATION

BLOCKOUT IN WING WALL

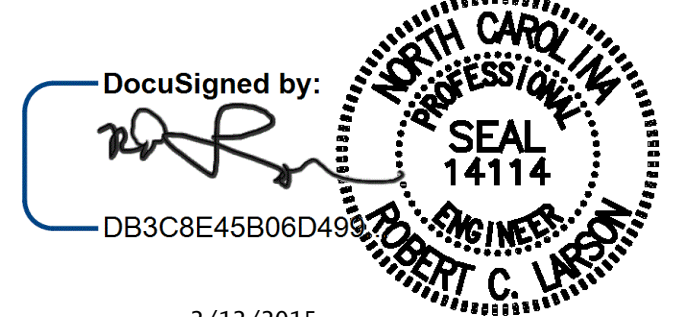
PROJECT NO. R-2514D
JONES COUNTY
STATION: 363+38.90 -L-

SHEET 3 OF 3

STATE OF NORTH CAROLINA
DEPARTMENT OF TRANSPORTATION
RALEIGH

**SUBSTRUCTURE
END BENT 2**

LEFT LANE STR-#3



2/12/2015

DocuSigned by:
DB3C8E45B06D499

DESIGN ENGINEER OF RECORD:	DATE: 2/12/2015
DRAWN BY: R. J. FLORY	DATE: 2/10/14
CHECKED BY: R. C. LARSON	DATE: 2/12/14

ADDRESS: #1, AMERSOHN EXHIBITS LESLIE HANSEN, C-0764
KCI Associates
of North Carolina, P.A.
SUITE 500, LANDMARK CENTER 1400 SIX FORKS RD, RALEIGH, N.C. 27609-5000 (919) 783-2044
DWG. REF. NO. 20 OF 23

REVISIONS			
NO.	BY:	DATE:	NO.
1			3
2			4

REVISIONS				SHEET NO.	
NO.	BY:	DATE:	NO.	BY:	DATE:
1			3		
2			4		

TOTAL SHEETS	S03-20
	S03-23