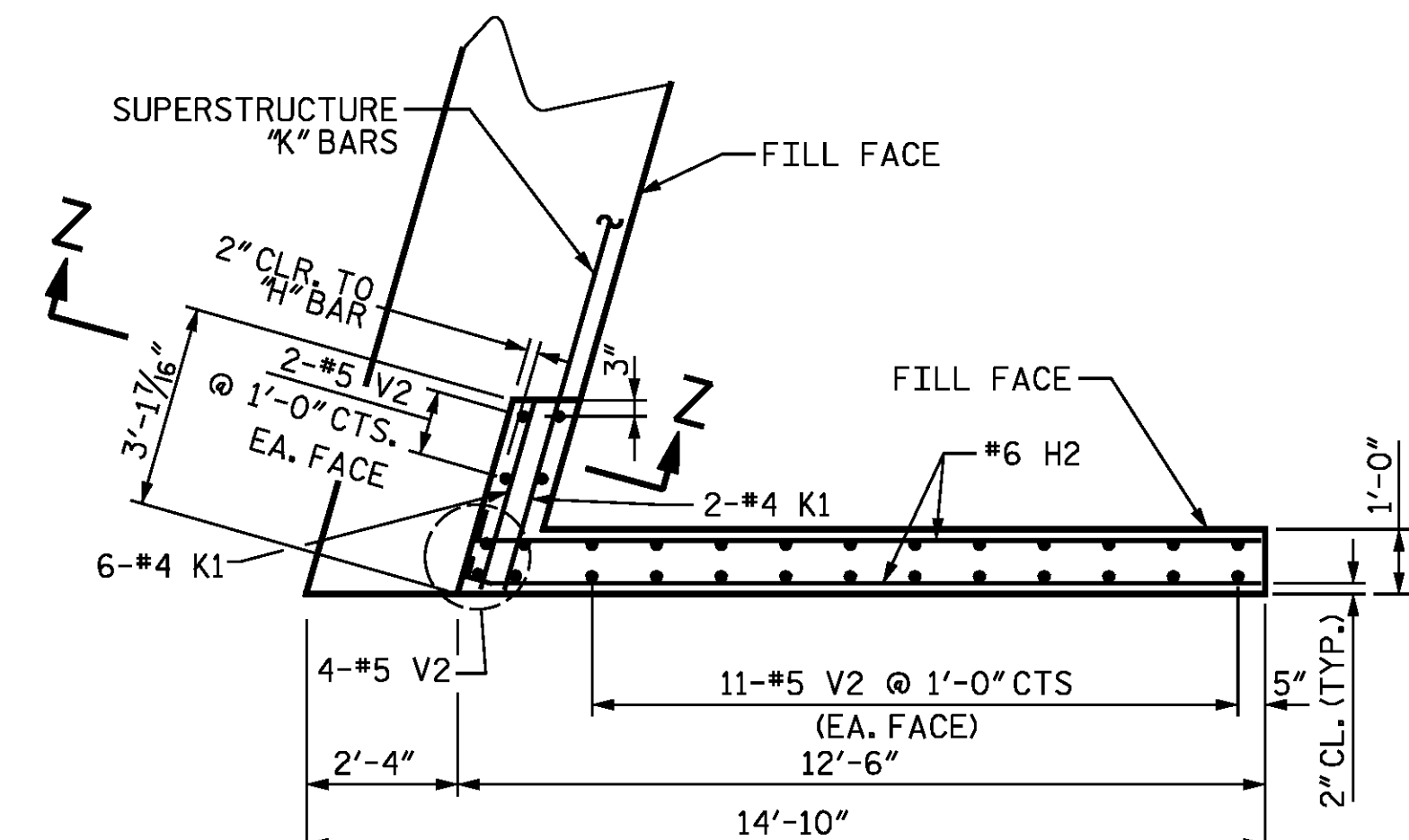
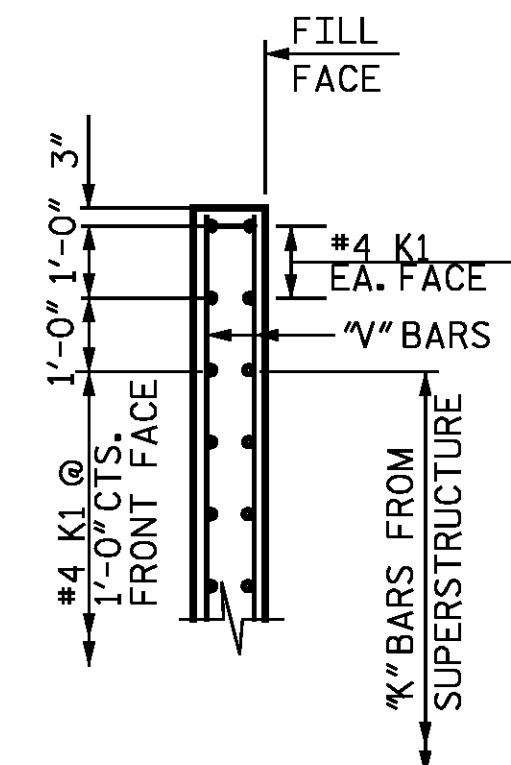
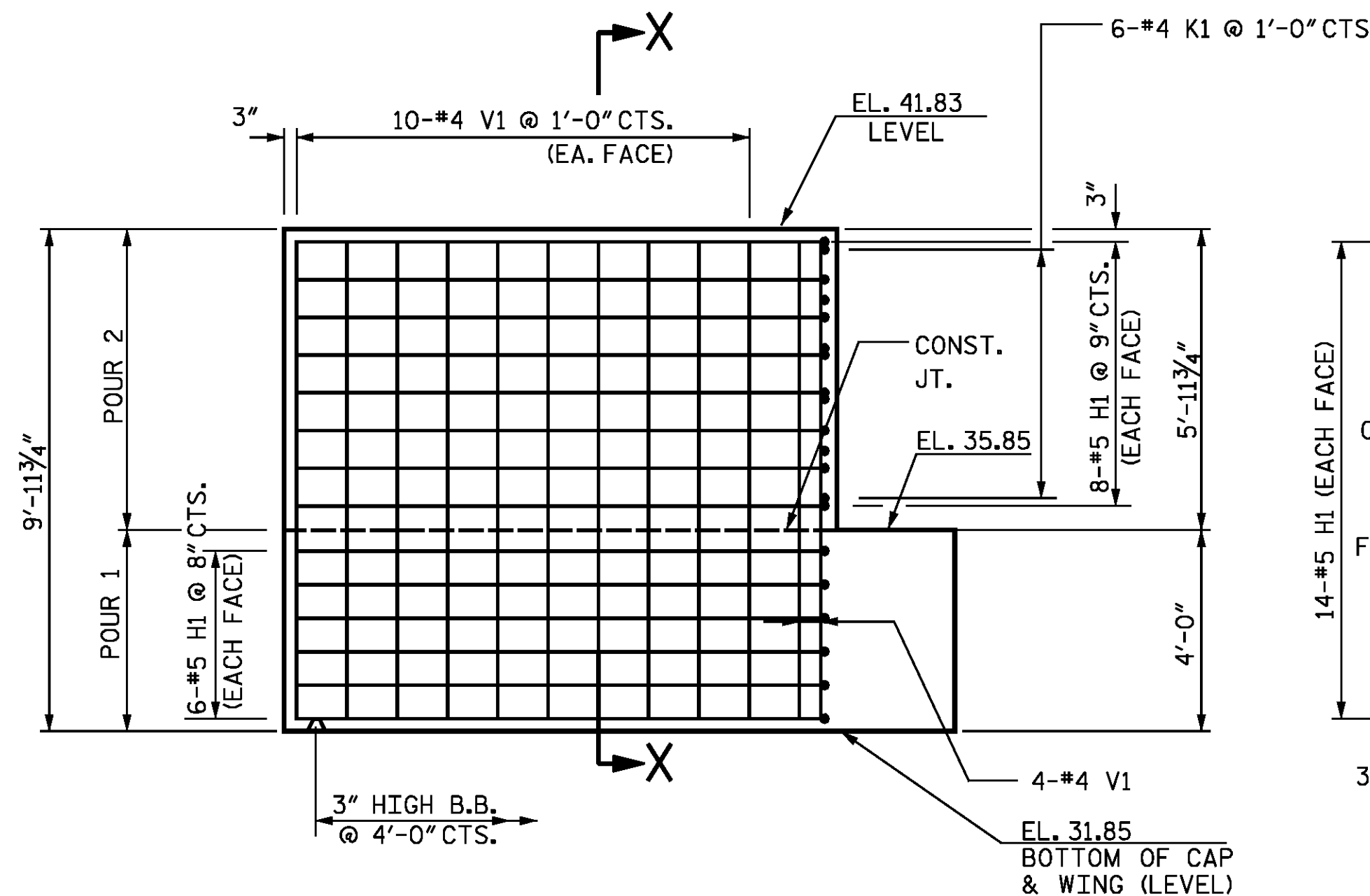


PLAN W1

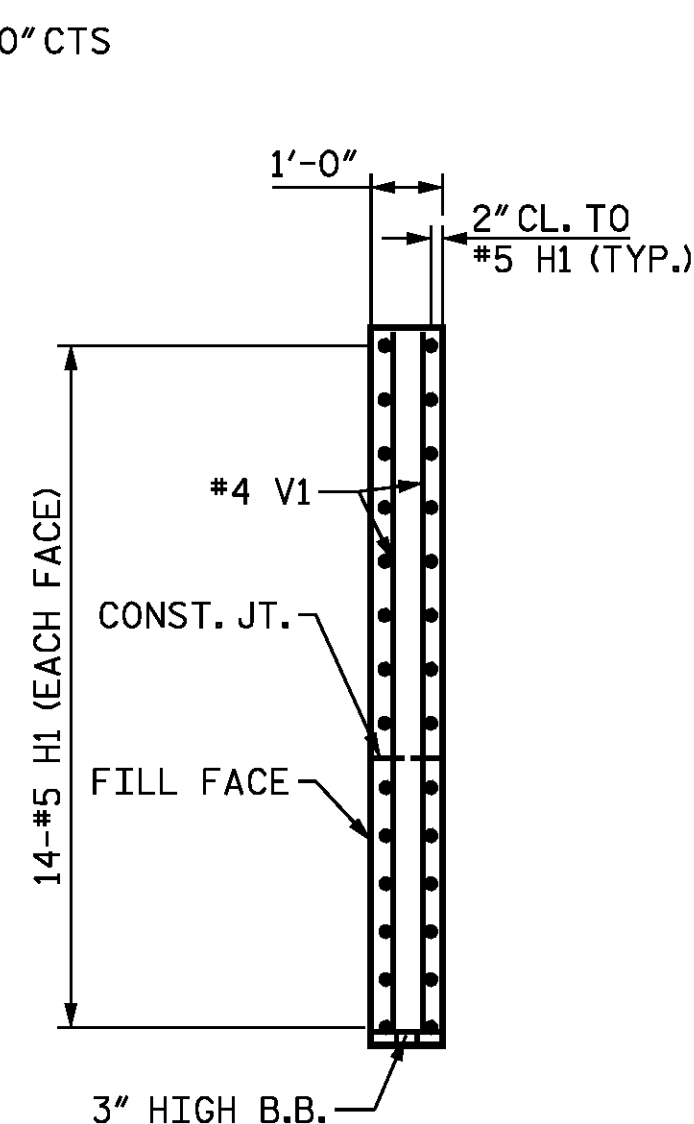
SECTION Z-Z



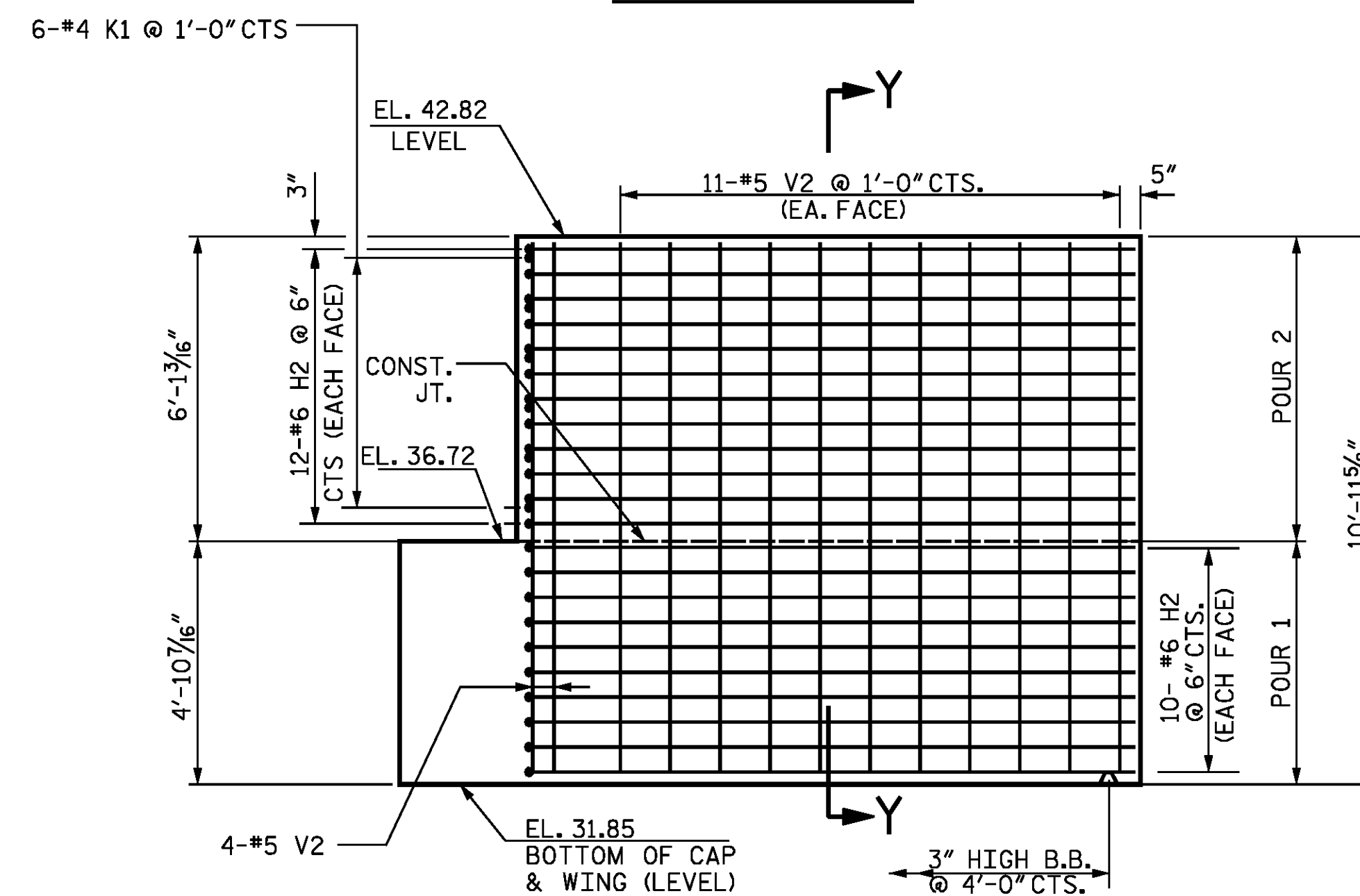
PLAN W2



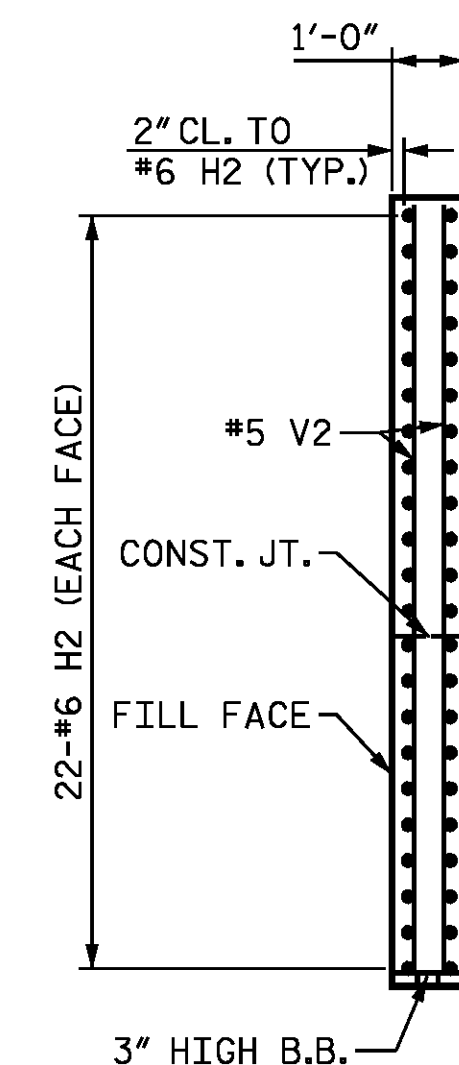
ELEVATION W1



SECTION X-X



ELEVATION W2



SECTION Y-Y

PROJECT NO. R-2514D
JONES COUNTY
 STATION: 363+38.90 -L-

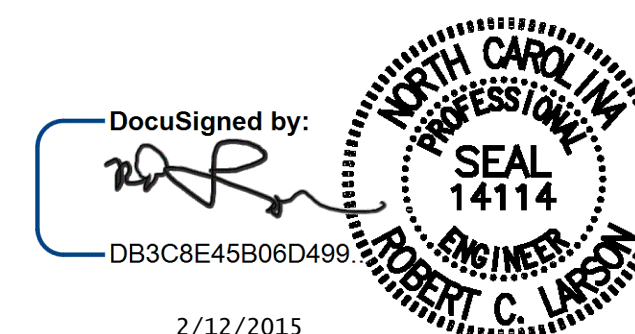
SHEET 2 OF 3

STATE OF NORTH CAROLINA
 DEPARTMENT OF TRANSPORTATION
 RALEIGH

SUBSTRUCTURE
 END BENT 2

LEFT LANE

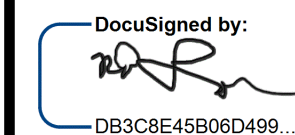
STR-#3



DocuSigned by:

DB3C8E45B06D499

2/12/2015



DESIGN ENGINEER OF RECORD: DATE: 2/12/2015

DRAWN BY: R. J. FLORY DATE: 2/19/14
 CHECKED BY: R. C. LARSON DATE: 2/21/14

KCI Associates
 of North Carolina, P.A.
 DWG. REF. NO. 19 OF 23

| REVISIONS | | | | SHEET NO. | |
|-----------|-----|-------|-----|-----------|-------|
| NO. | BY: | DATE: | NO. | BY: | DATE: |
| 1 | | | 3 | | |
| 2 | | | 4 | | |

TOTAL SHEETS: 503-23