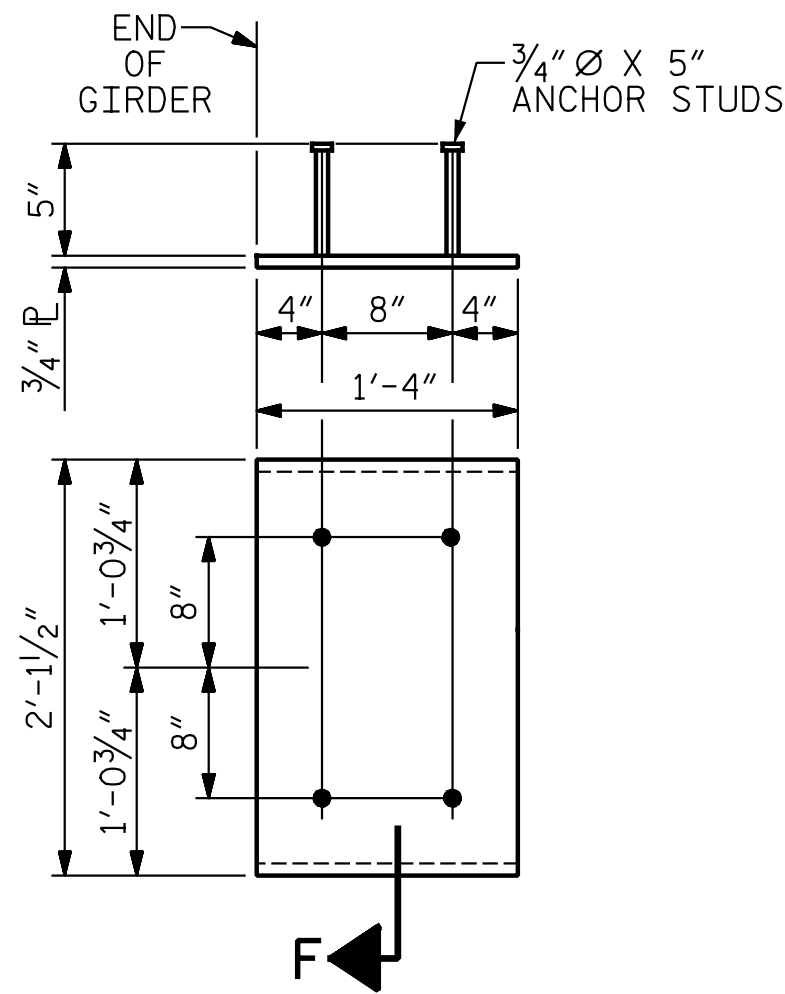
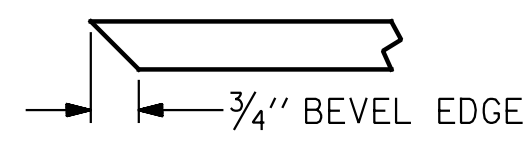


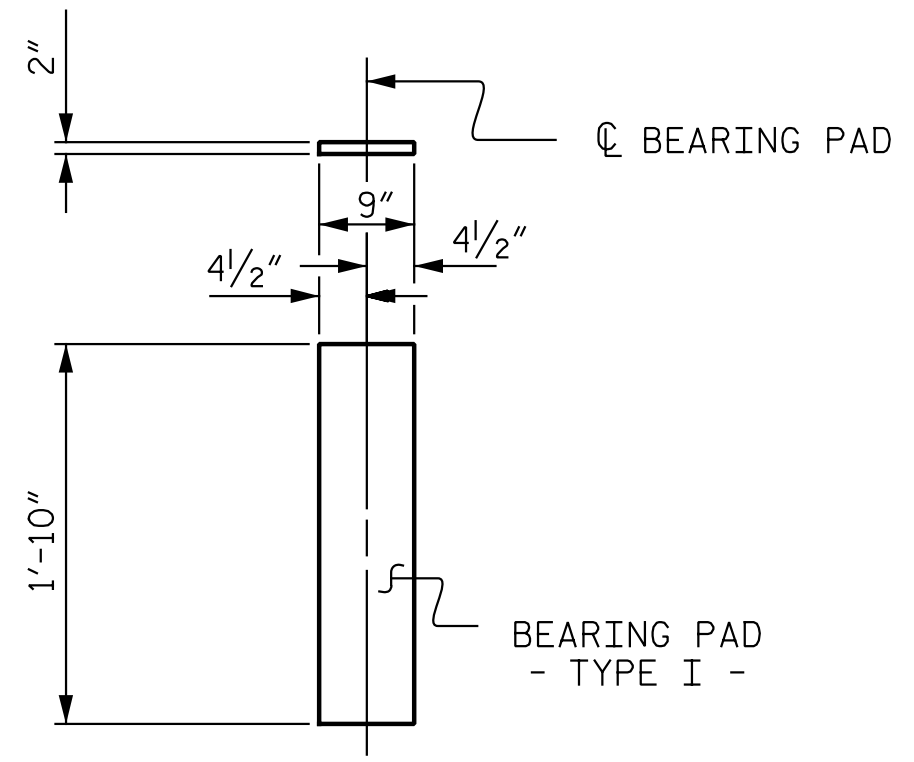
DETAIL "A"
(FOR AASHTO TYPE IV GIRDERS)



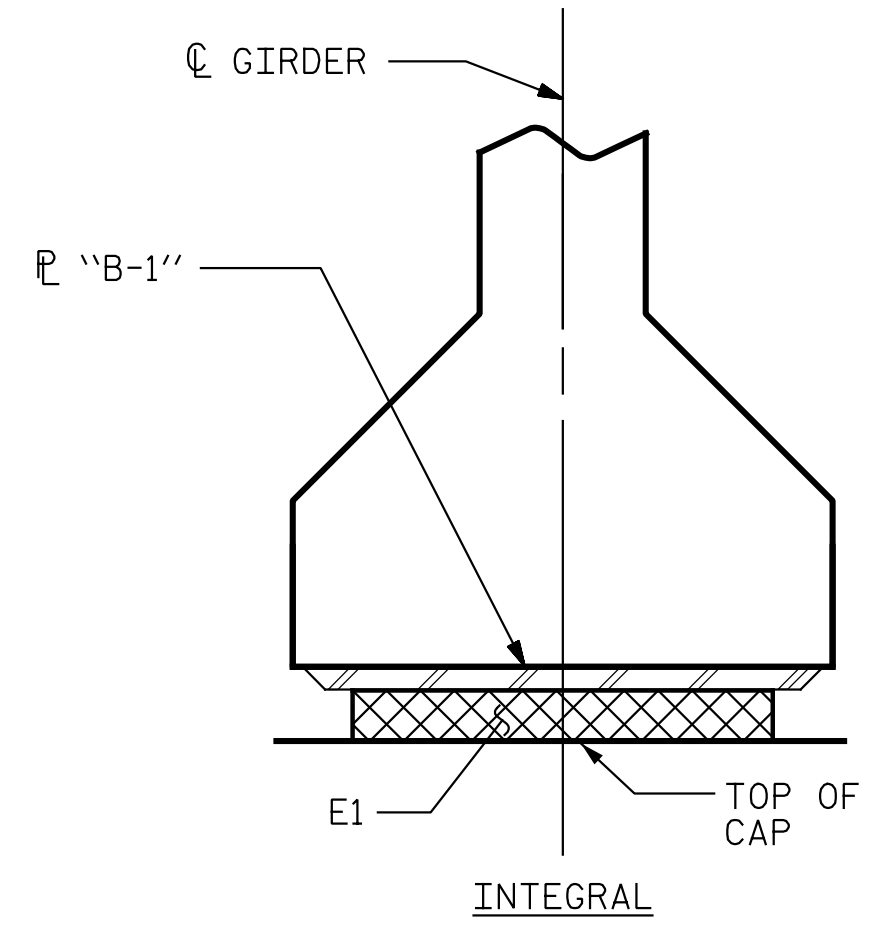
**EMBEDDED PLATE "B-1" DETAILS
FOR AASHTO TYPE IV GIRDER AND
63" & 72" MODIFIED BULB TEES**
(2 REQ'D PER GIRDER)



SECTION "F"
(SEE NOTES)



E1 (8 REQ'D)
SECTION "E"



PLAIN ELASTOMERIC BEARING DETAIL
TYPE I

NOTES

ALL PRESTRESSING STRANDS SHALL BE 7-WIRE LOW-RELAXATION GRADE 270 STRANDS AND SHALL CONFORM TO AASHTO M203 EXCEPT FOR SAMPLING REQUIREMENTS WHICH SHALL BE IN ACCORDANCE WITH THE STANDARD SPECIFICATIONS.

ALL REINFORCING STEEL SHALL BE GRADE 60.

EMBEDDED PLATE "B-1" SHALL BE GALVANIZED IN ACCORDANCE WITH THE STANDARD SPECIFICATIONS.

ANCHOR STUDS SHALL CONFORM TO AASHTO M169 GRADES 1010 THROUGH 1020 OR APPROVED EQUAL, AND SHALL MEET THE TYPE "B" REQUIREMENTS OF SUBSECTION 7.3 OF THE ANSI/AASHTO/AWS D1.5 BRIDGE WELDING CODE.

AT ENDS OF GIRDERS TO BE EMBEDDED IN CONCRETE DIAPHRAGMS OR END WALLS, PRESTRESSING STRANDS MAY EXTEND A MAXIMUM OF 2" BEYOND THE GIRDER ENDS. OTHERWISE, PRESTRESSING STRANDS SHALL BE CUT FLUSH WITH THE GIRDER ENDS.

THE TRANSFER OF LOAD FROM THE ANCHORAGES TO THE GIRDER SHALL BE DONE WHEN CONCRETE HAS REACHED A COMPRESSIVE STRENGTH OF NOT LESS THAN 6000 PSI.

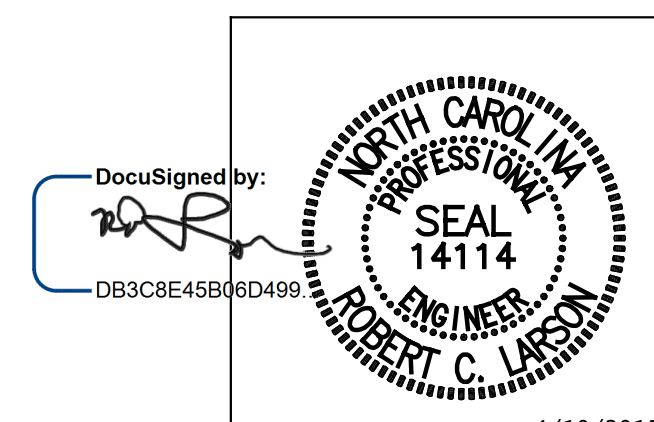
DEPENDING ON THE TYPE OF SYSTEM USED TO SUPPORT THE DECK SLAB FORMS, PRESET ANCHORS MAY BE NECESSARY IN THE PRESTRESSED CONCRETE GIRDER.

THE TOP SURFACE OF THE GIRDER, EXCLUDING THE OUTSIDE 4", SHALL BE RAKED TO A DEPTH OF 1/4".

THE CONTRACTOR HAS THE OPTION TO PROVIDE, AT NO ADDITIONAL COST TO THE DEPARTMENT, 2 ADDITIONAL STRANDS AT THE TOP OF THE GIRDER TO FACILITATE TYING OF THE REINFORCING STEEL. THESE STRANDS SHALL BE PULLED TO A LOAD OF 4500 lbs.

PROJECT NO. R-2514D
JONES COUNTY
STATION: 363+38.90 -L-

SHEET 2 OF 3



STATE OF NORTH CAROLINA
DEPARTMENT OF TRANSPORTATION
RALEIGH
STANDARD
PRESTRESSED CONCRETE GIRDER
CONTINUOUS FOR LIVE LOAD
DETAILS
LEFT LANE STR-#3
STD. NO. PCC9

KCI Associates
of North Carolina, P.A.
SUTE 220, LANDMARK CENTER # 4602 SIX FORKS RD, RALEIGH, N.C. 27609-5200 (919) 783-2924
DWG. REF. NO. 10 OF 23

REVISIONS		REVISIONS		SHEET NO.		
NO.	BY:	DATE:	NO.	BY:	DATE:	TOTAL SHEETS
1			3			503-10
2			4			503-23

DESIGN ENGINEER OF RECORD:	DATE :	4/10/2015
ASSEMBLED BY : R.A. PRUETT	DATE :	10/25/13
CHECKED BY : R.C. LARSON	DATE :	12/13/13
DRAWN BY : ELR 11/91	REV. 7/10/01RR LES/RDR	
CHECKED BY : GRP 11/91	REV. 5/1/06 TLA/GM	
	REV. 10/1/11 MAA/GM	

