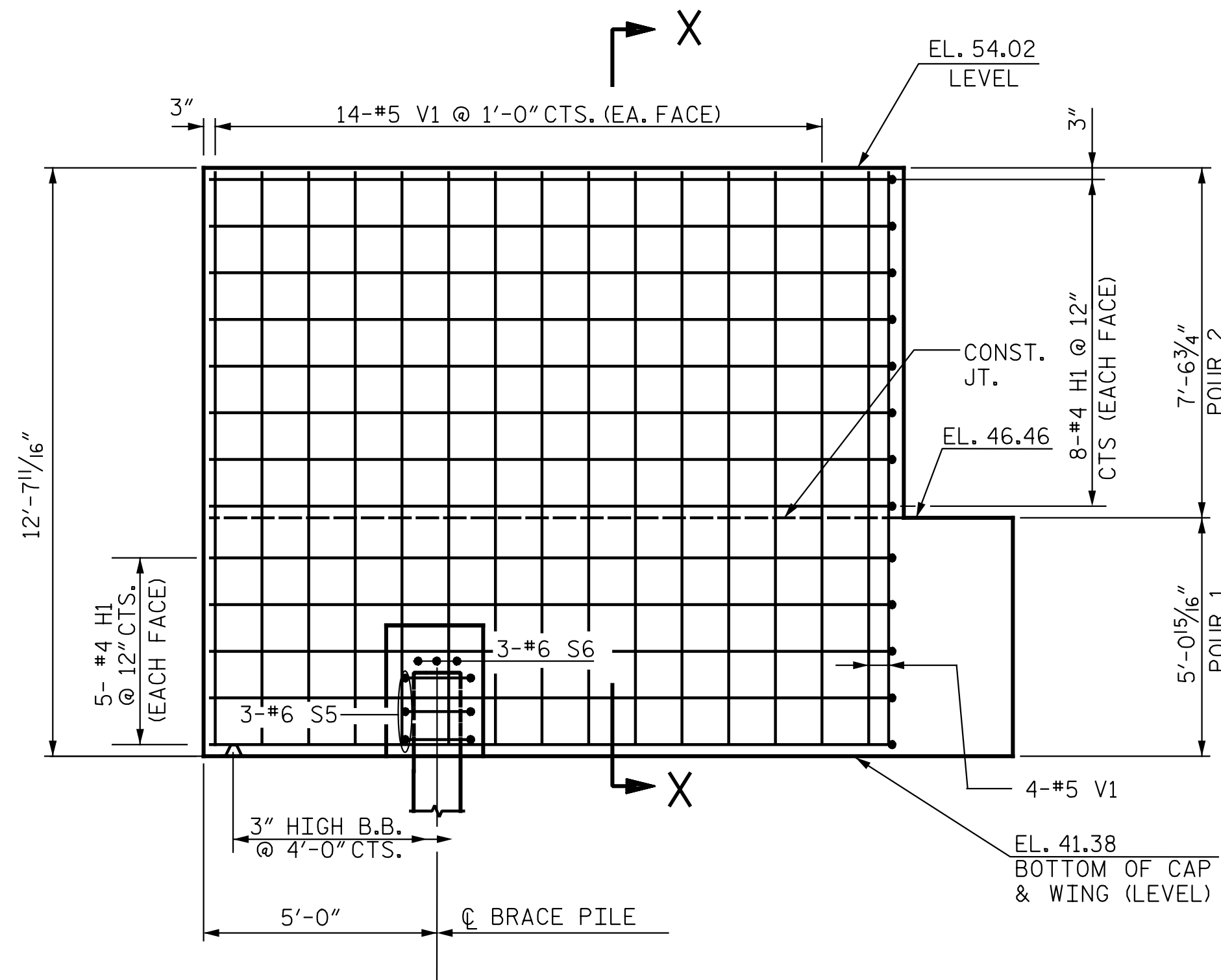
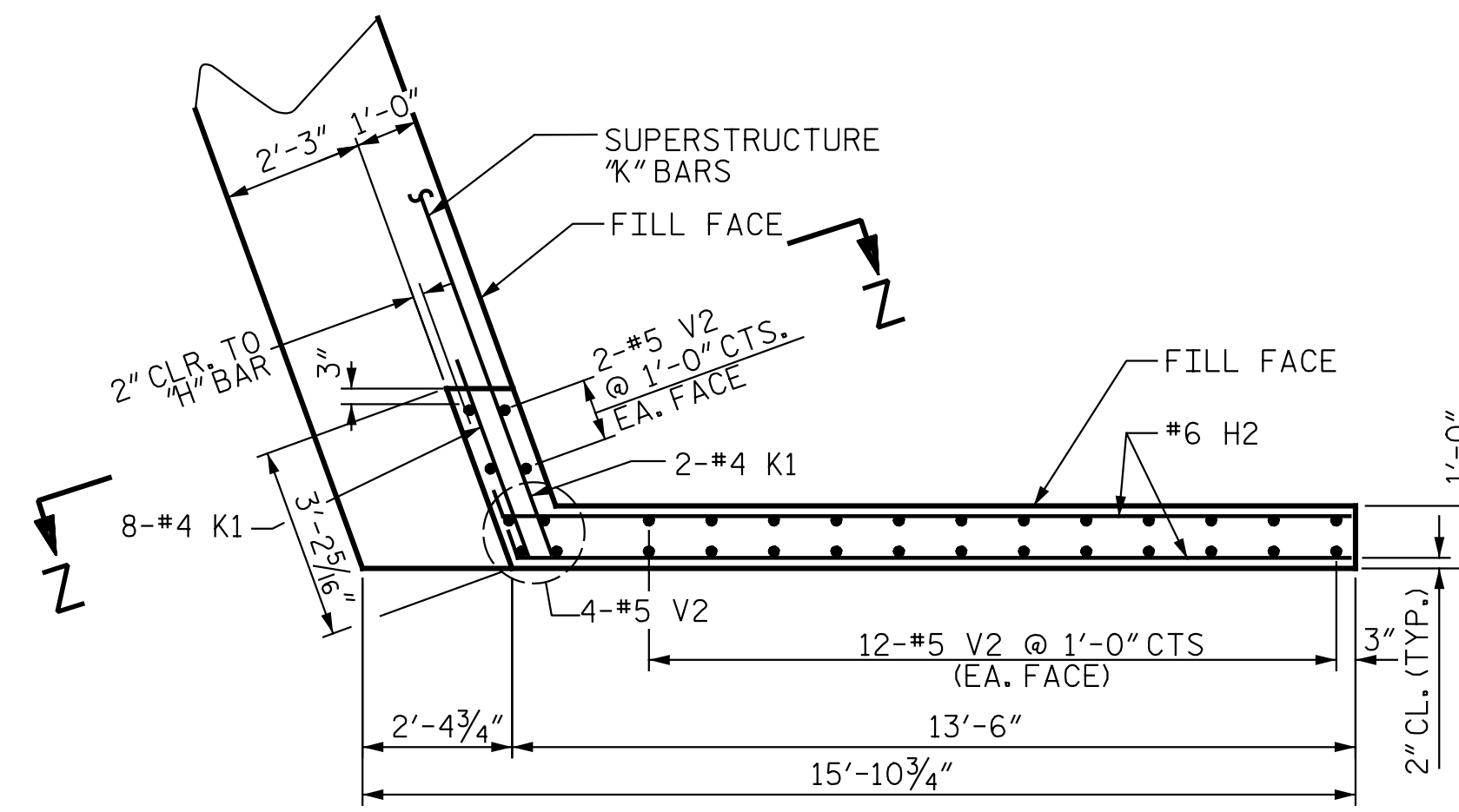
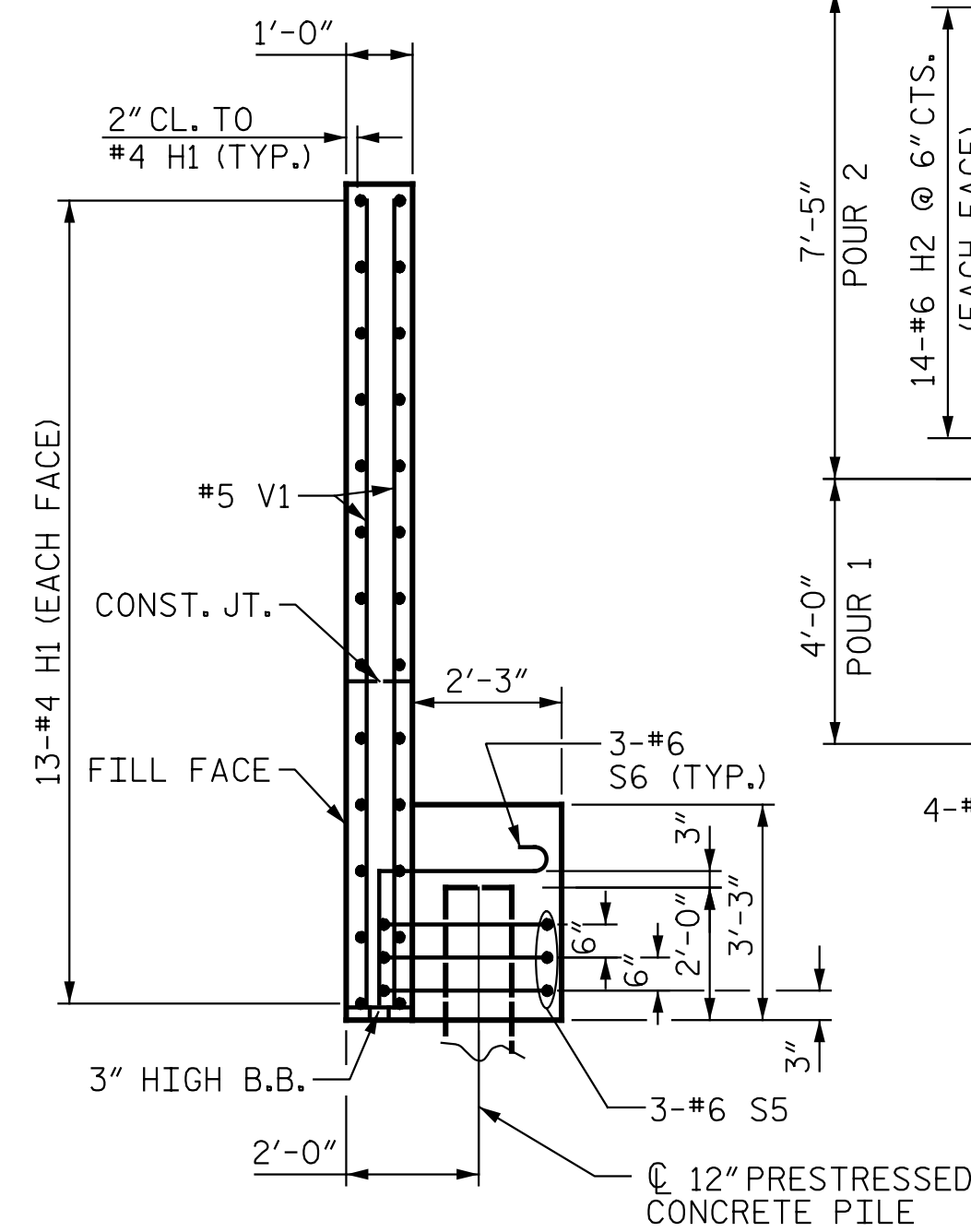


PLAN W1

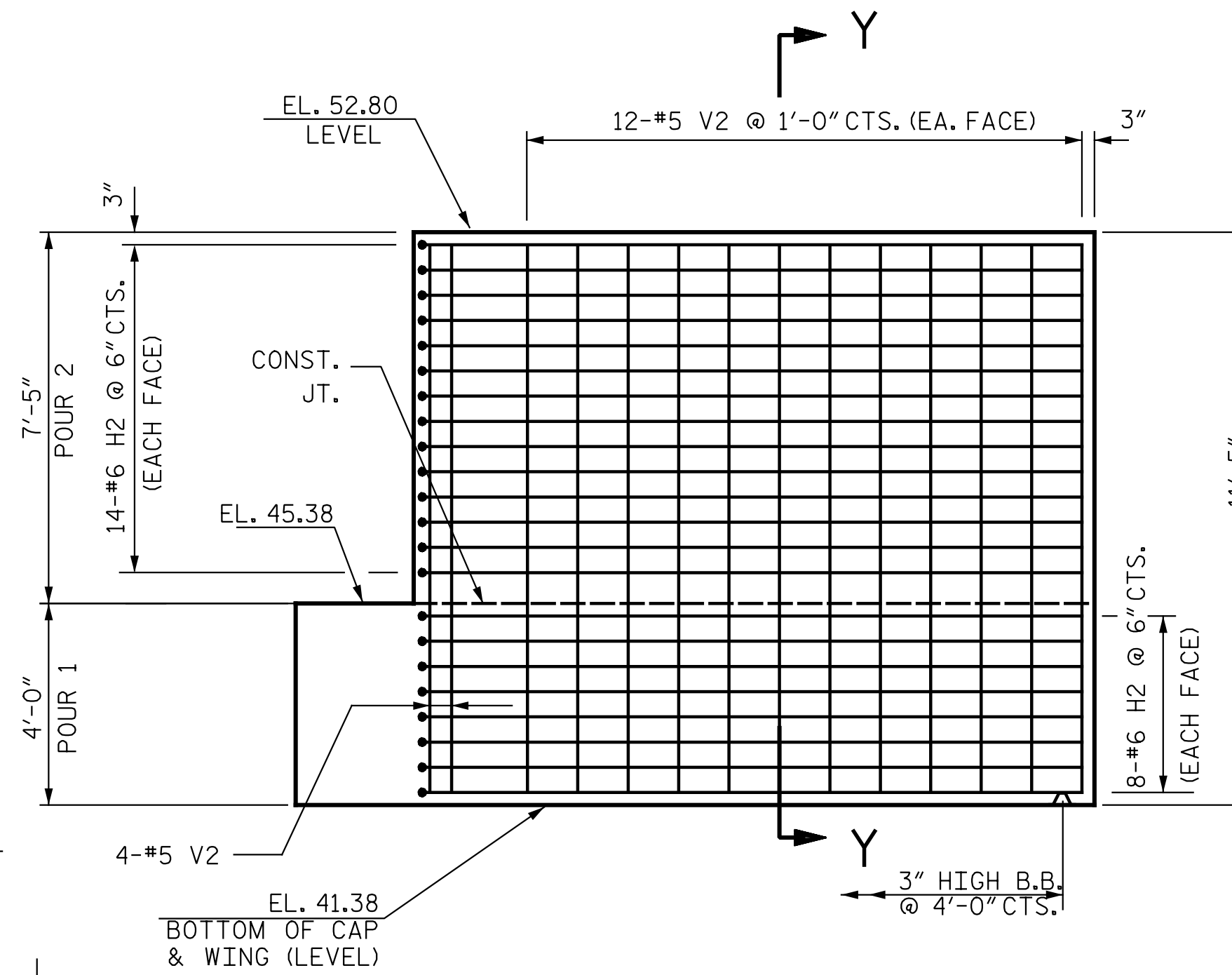


ELEVATION W1

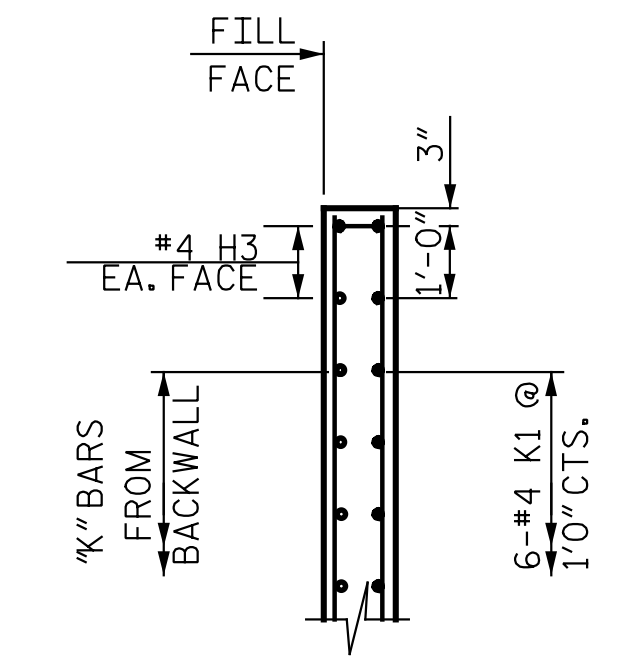
SECTION X-X



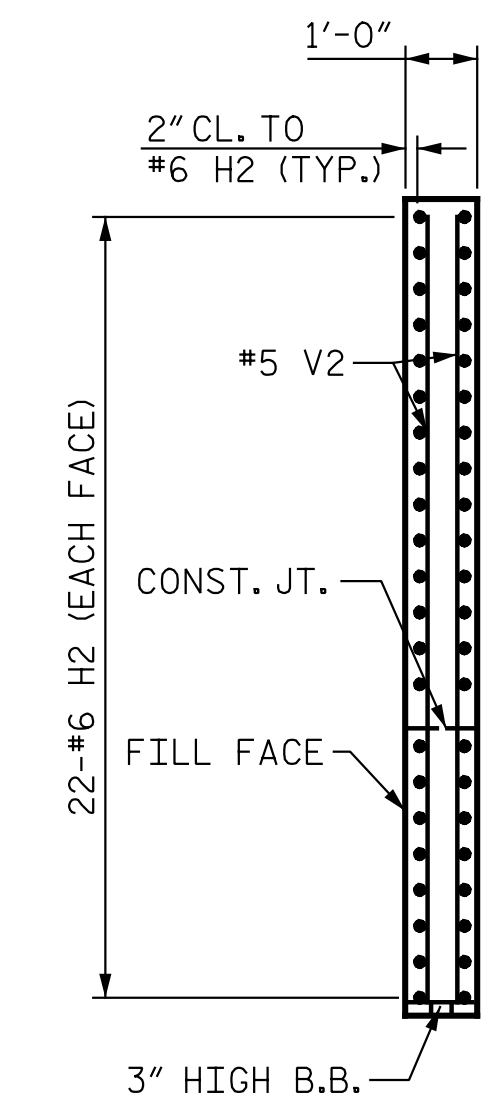
PLAN W2



ELEVATION W2



SECTION Z-Z



SECTION Y-Y

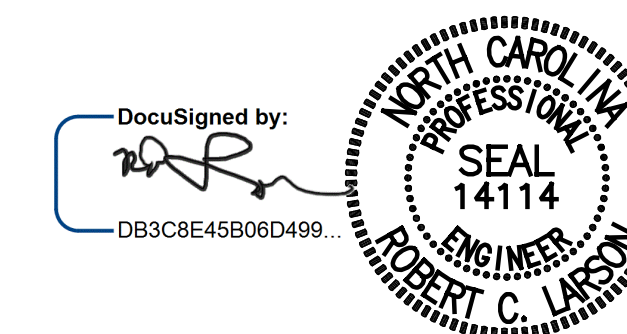
PROJECT NO. R-2514D
JONES COUNTY
 STATION: 320+39.56 -L-

SHEET 2 OF 3

STATE OF NORTH CAROLINA
 DEPARTMENT OF TRANSPORTATION
 RALEIGH

SUBSTRUCTURE
 END BENT 2

RIGHT LANE



4/10/2015

DESIGN ENGINEER OF RECORD:	DATE :	4/10/2015
DRAWN BY : R. J. FLORY	DATE :	03/27/14
CHECKED BY : R. C. LARSON	DATE :	04/16/14

KCI Associates of North Carolina, P.A.		REVISIONS		SHEET NO.	
NO.	BY:	DATE:	NO.	BY:	DATE:
1			3		
2			4		
DWG. REF. NO. 19 OF 24			TOTAL SHEETS		S02-19
					S02-24

STR-#2