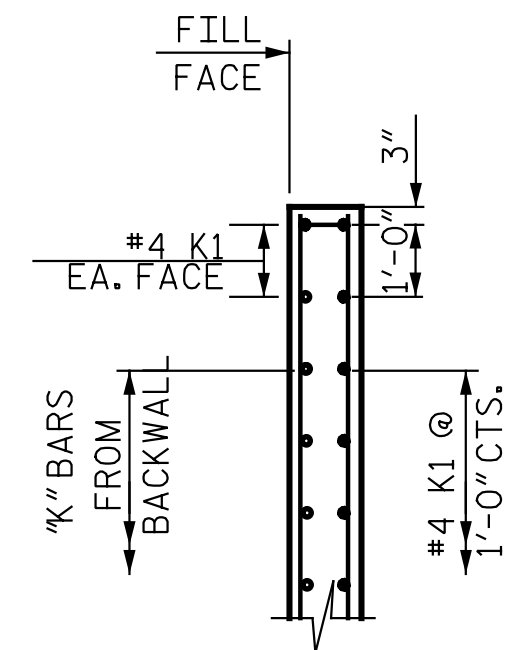
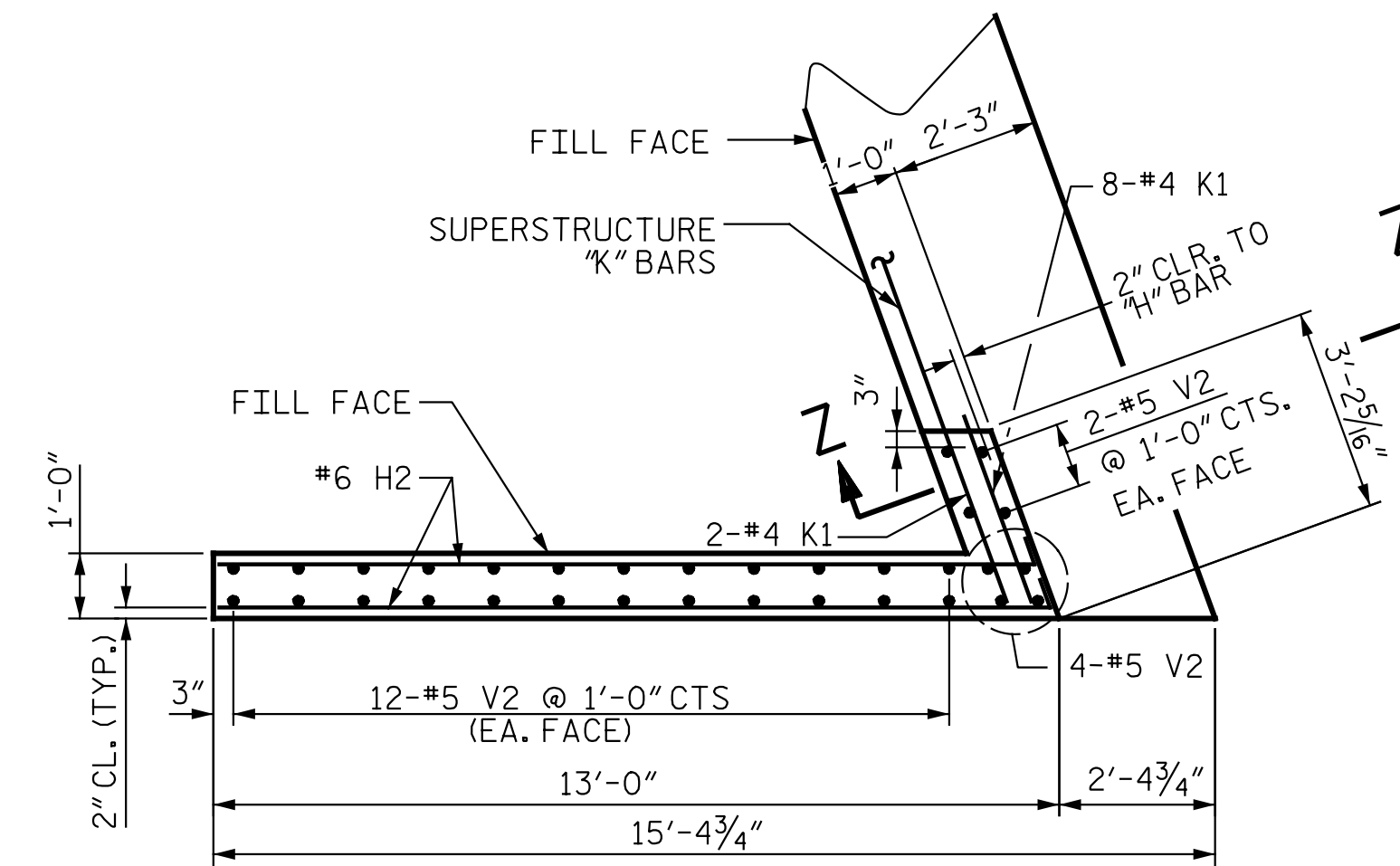


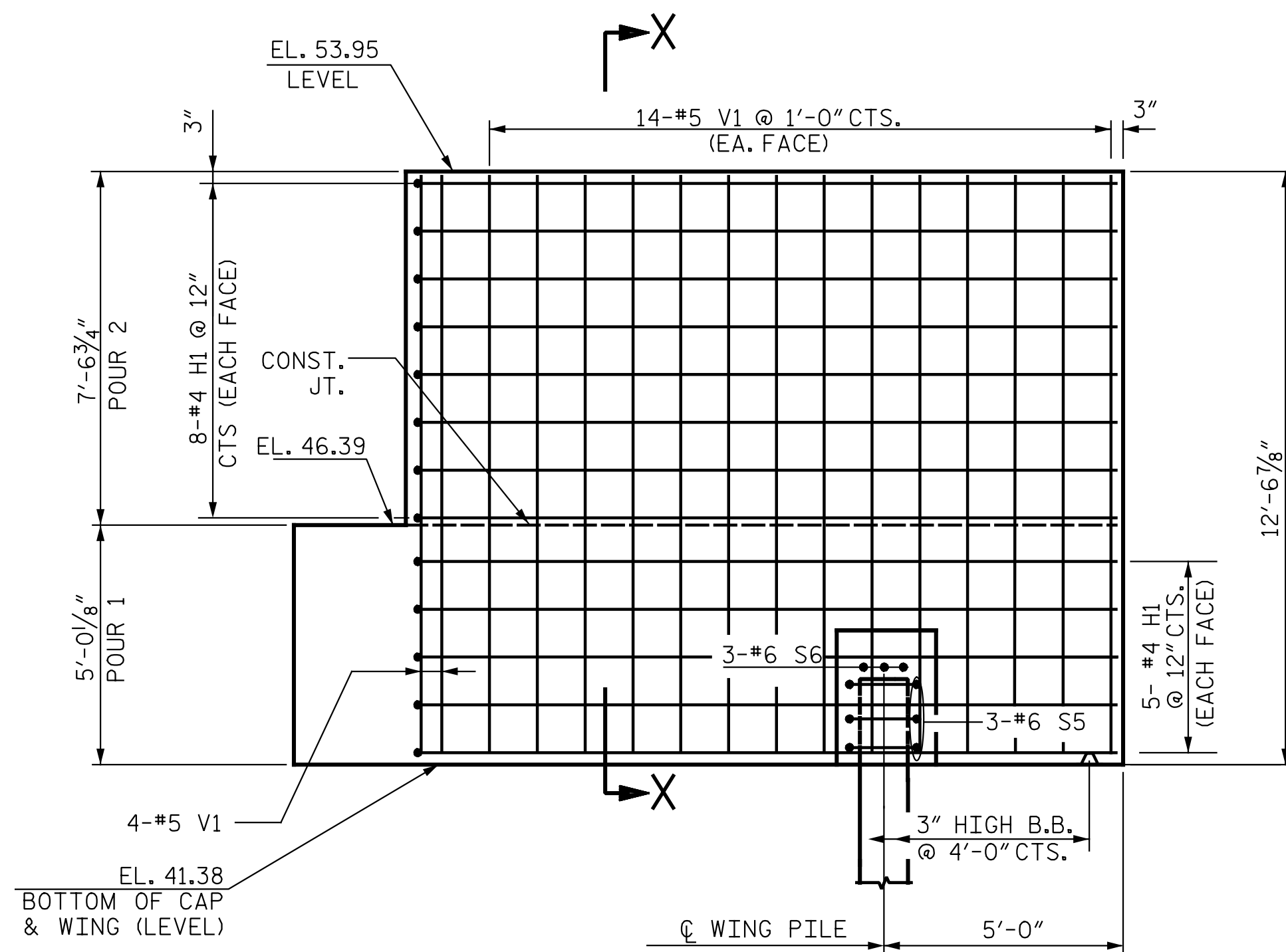
PLAN W1



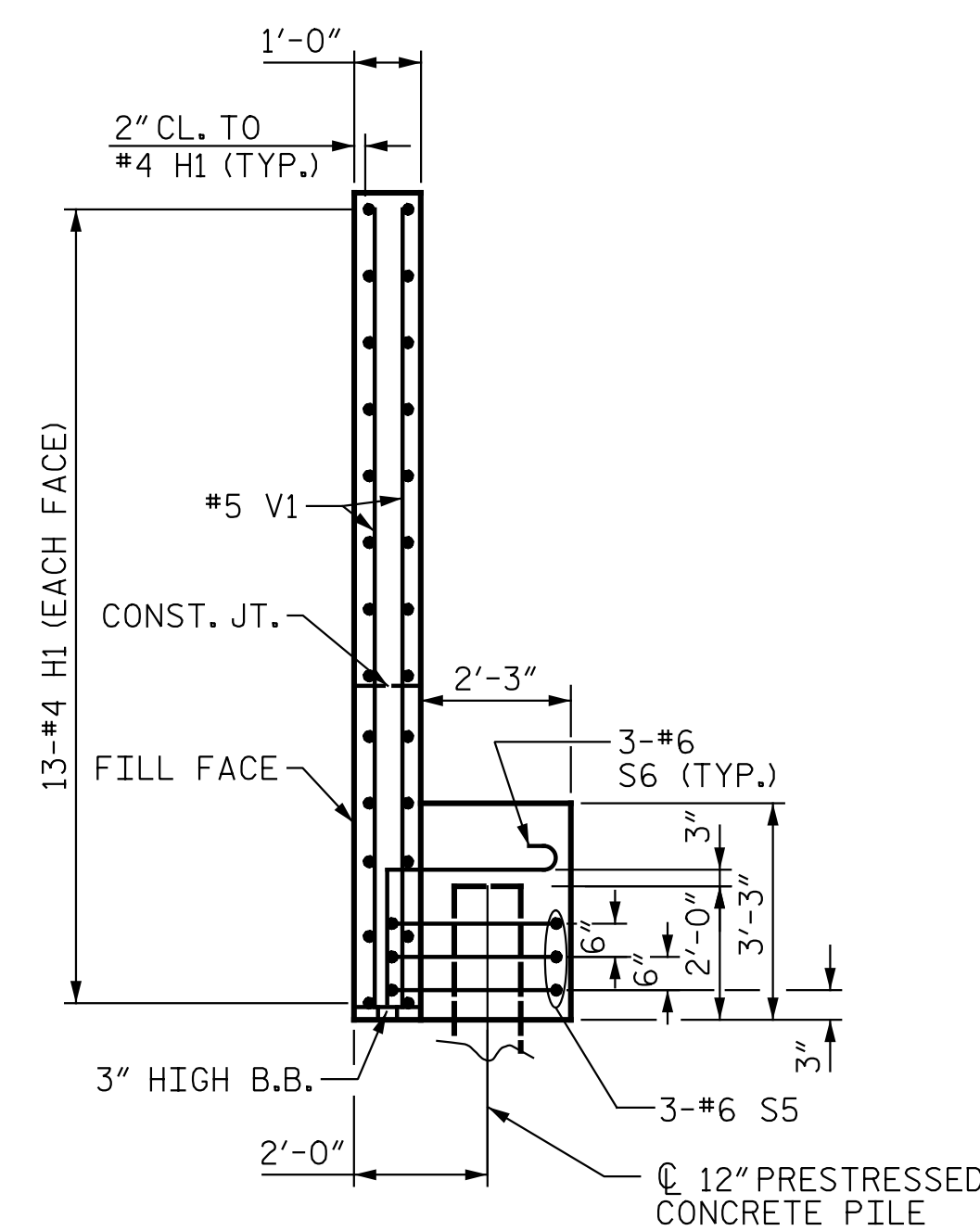
SECTION Z-Z



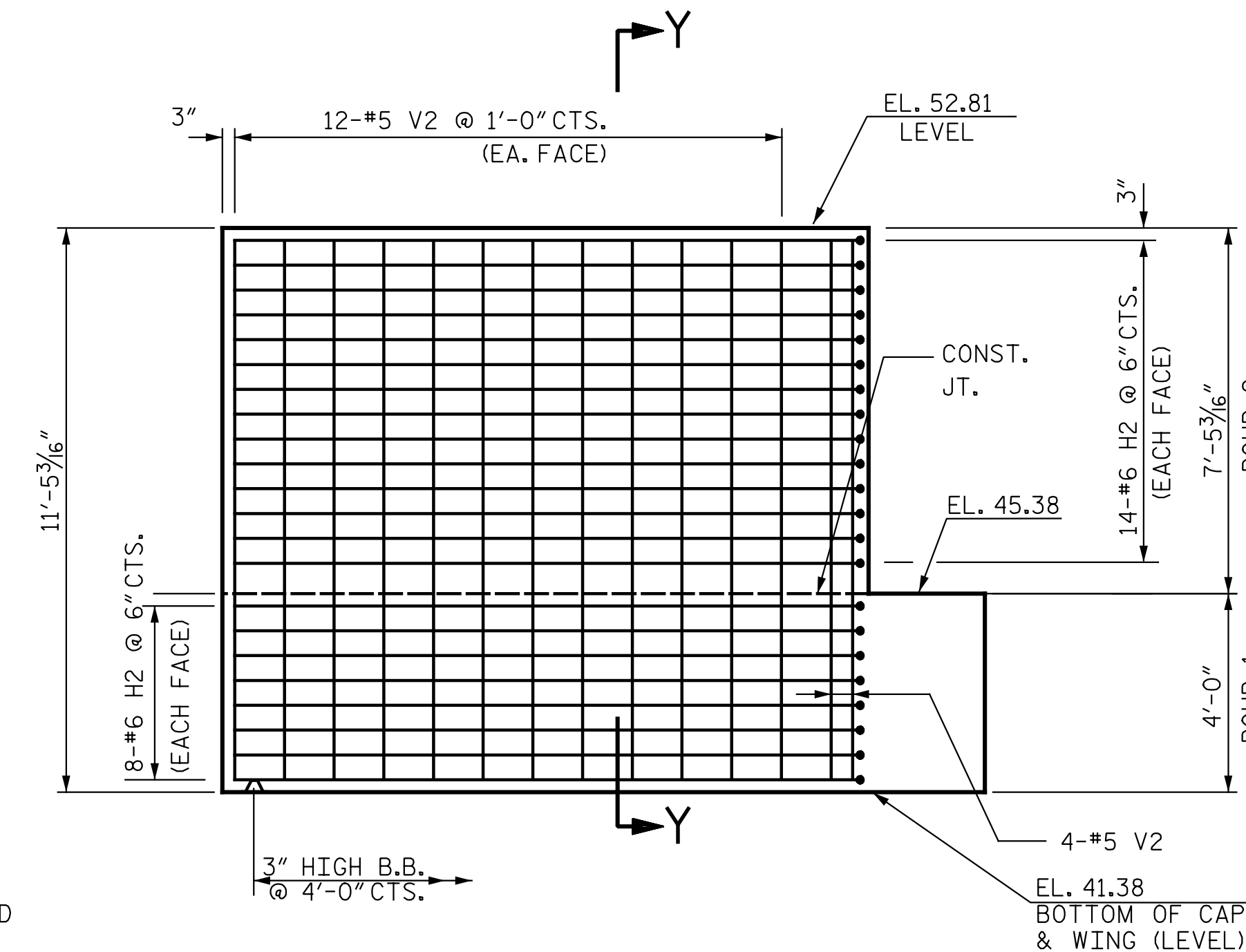
PLAN W2



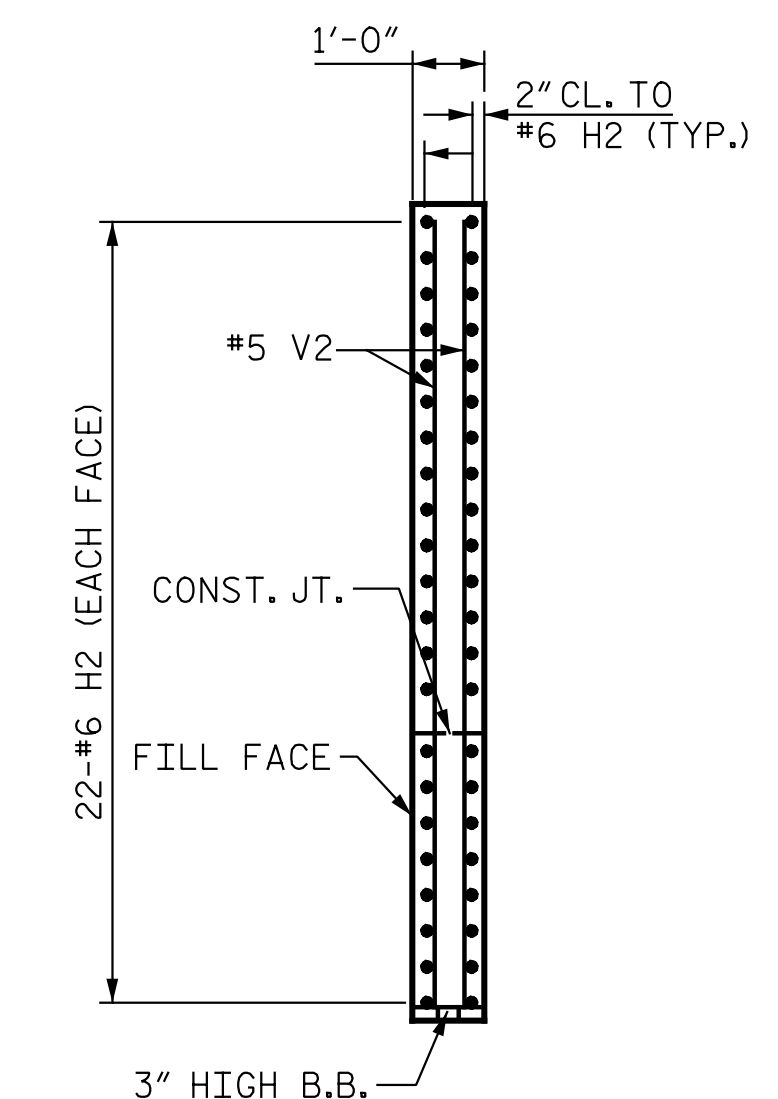
ELEVATION W1



SECTION X-X



ELEVATION W2



SECTION Y-Y

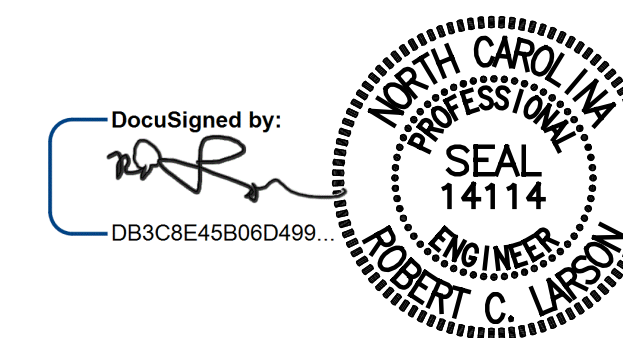
PROJECT NO. R-2514D
JONES COUNTY
 STATION: 320+39.56 -L-

SHEET 2 OF 3

STATE OF NORTH CAROLINA
 DEPARTMENT OF TRANSPORTATION
 RALEIGH

SUBSTRUCTURE
 END BENT 1

RIGHT LANE



4/10/2015

DESIGN ENGINEER OF RECORD:	DATE :	4/10/2015
DRAWN BY : R. J. FLORY	DATE :	03/27/14
CHECKED BY : R. C. LARSON	DATE :	04/16/14

ENGINEER: PLANNERS & ECOCOSTS LICENSE NUMBER: C-0764					
KCI Associates of North Carolina, P.A.					
SUITE 220, LANDMARK CENTER # 400 SIX FORKS RD, RALEIGH, N.C. 27609-5200 (919) 783-9244					
DWG. REF. NO. 16 OF 24					

REVISIONS					
NO.	BY:	DATE:	NO.	BY:	DATE:
1			3		
2			4		

SHEET NO.	S02-16
TOTAL SHEETS	S02-24

STR-#2