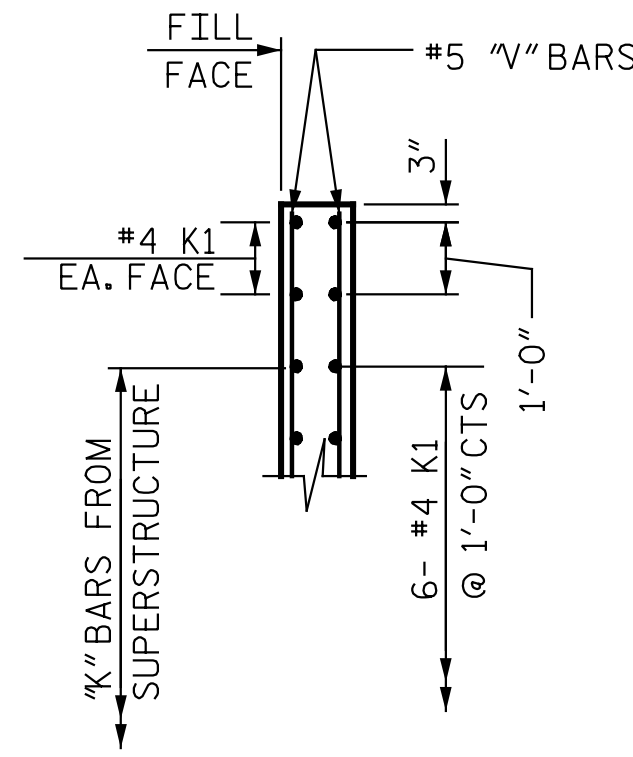
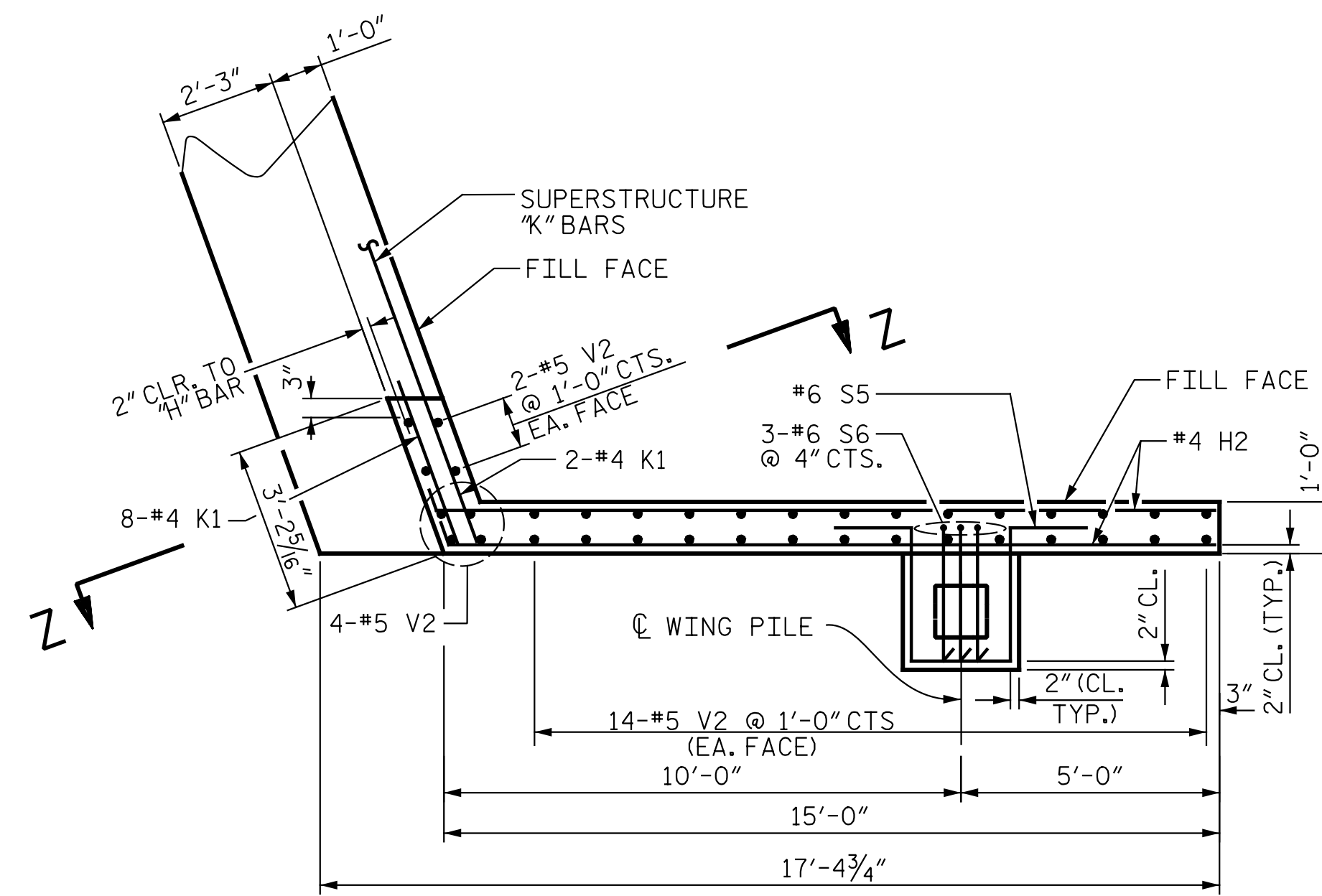


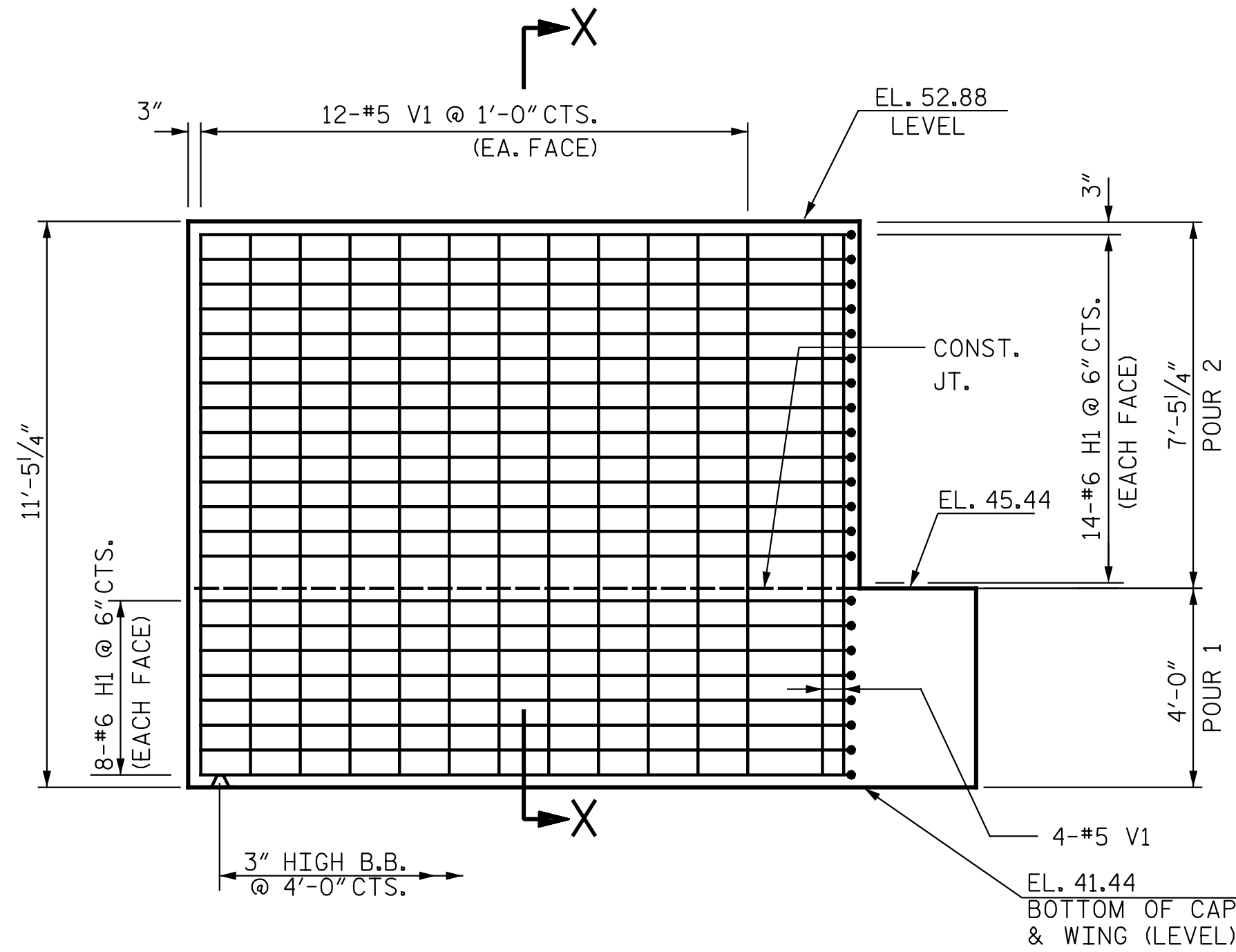
PLAN W1



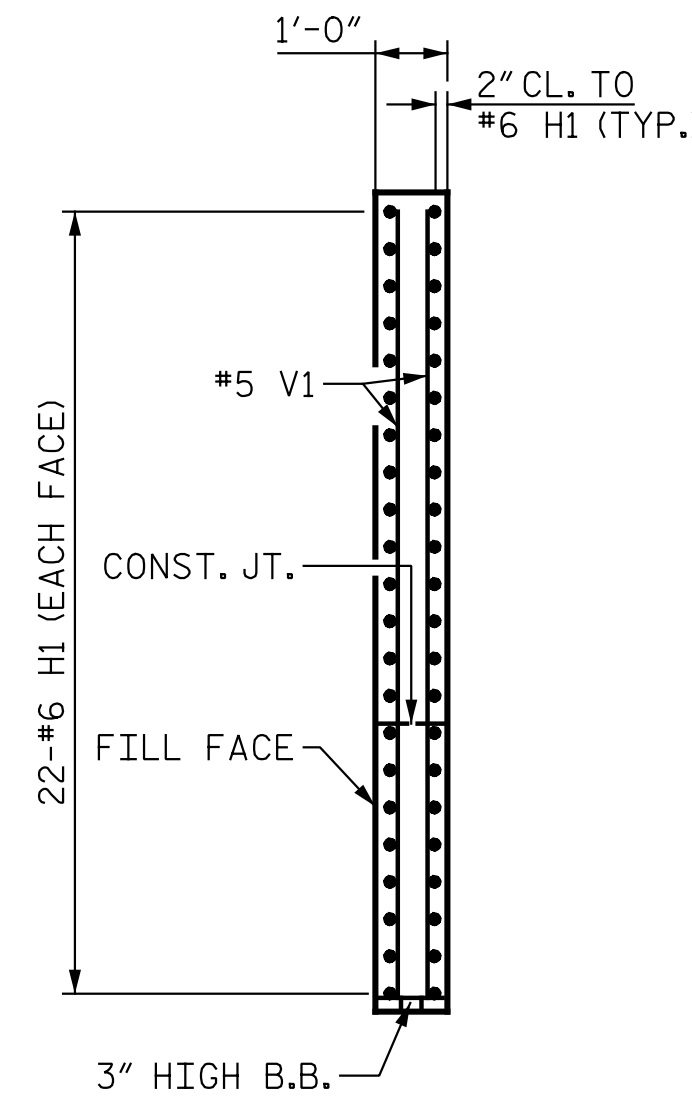
SECTION Z-Z



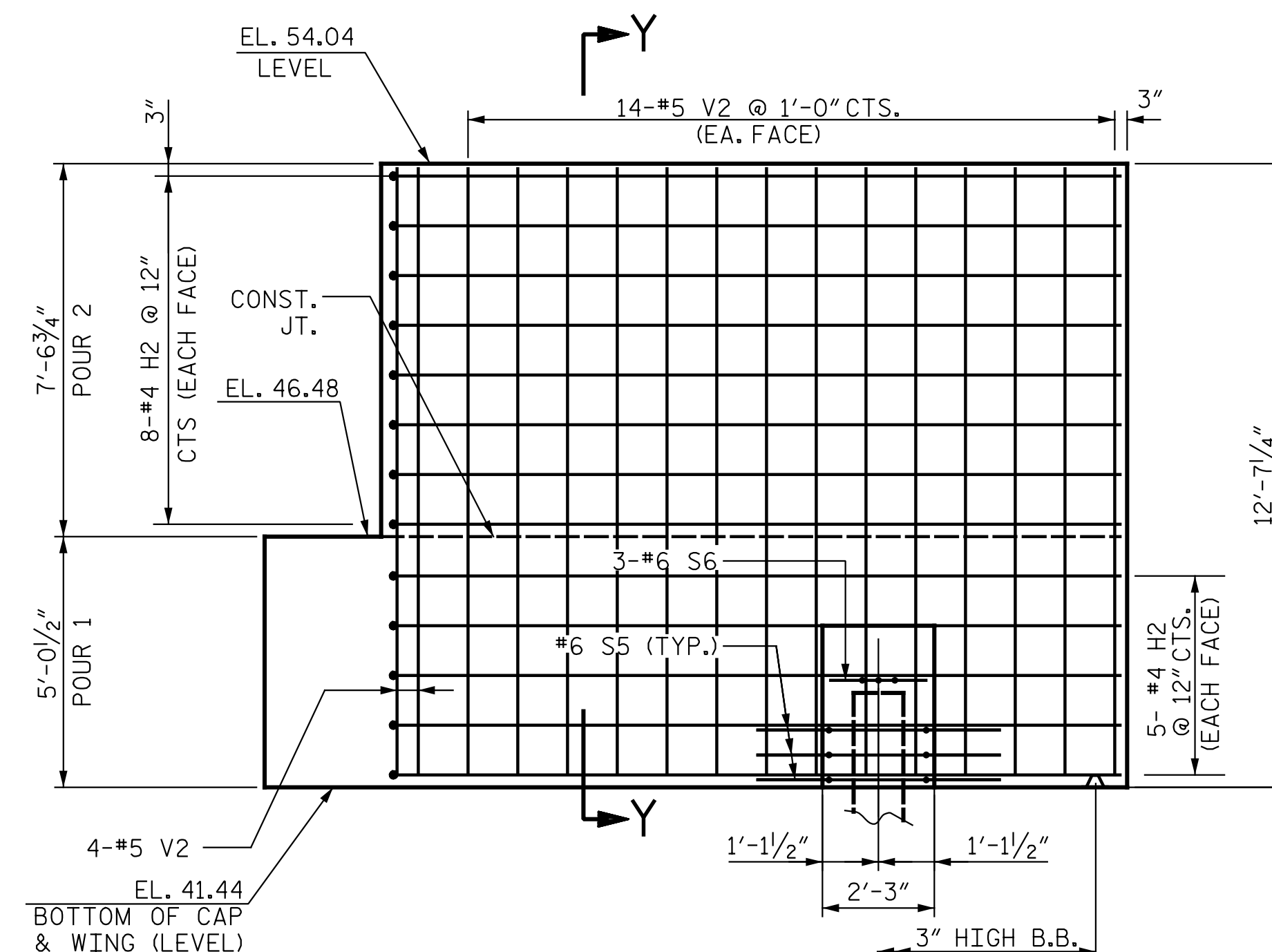
PLAN W2



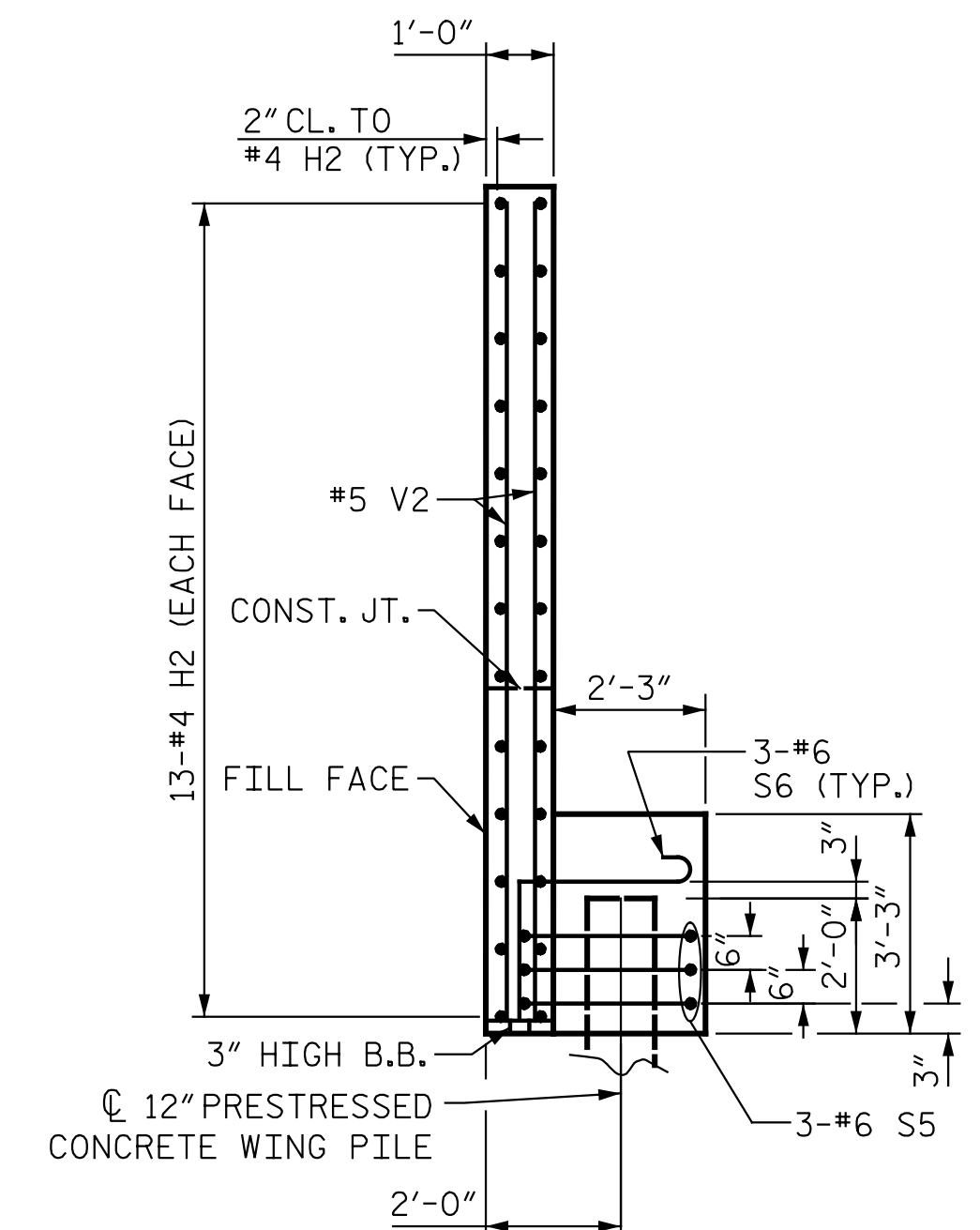
ELEVATION W1



SECTION X-X



ELEVATION W2



SECTION Y-Y

PROJECT NO. R-2514D
JONES COUNTY
 STATION: 320+39.56 -L-

SHEET 2 OF 3

STATE OF NORTH CAROLINA
 DEPARTMENT OF TRANSPORTATION
 RALEIGH

SUBSTRUCTURE
 END BENT 2

LEFT LANE



4/10/2015

DESIGN ENGINEER OF RECORD:	DATE :	4/10/2015
DRAWN BY :	DATE :	02/19/14
CHECKED BY :	DATE :	04/15/14

KCI Associates of North Carolina, P.A.					
NO.	BY:	DATE:	NO.	BY:	DATE:
1			3		
2			4		

REVISIONS					
NO.	BY:	DATE:	NO.	BY:	DATE:
1			3		
2			4		

SHEET NO.	SHEET 19
TOTAL SHEETS	SOI-24

STR-#1