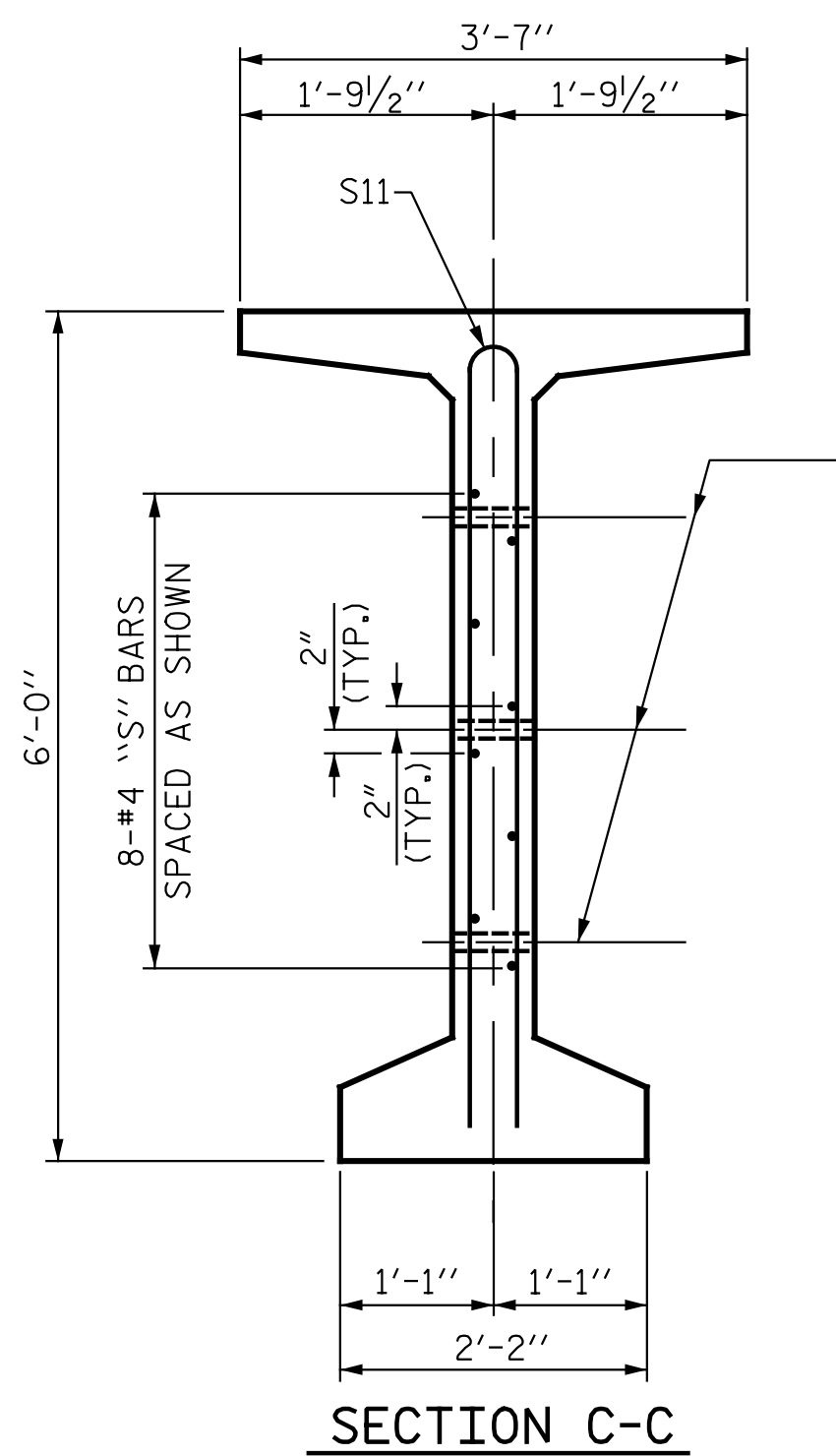


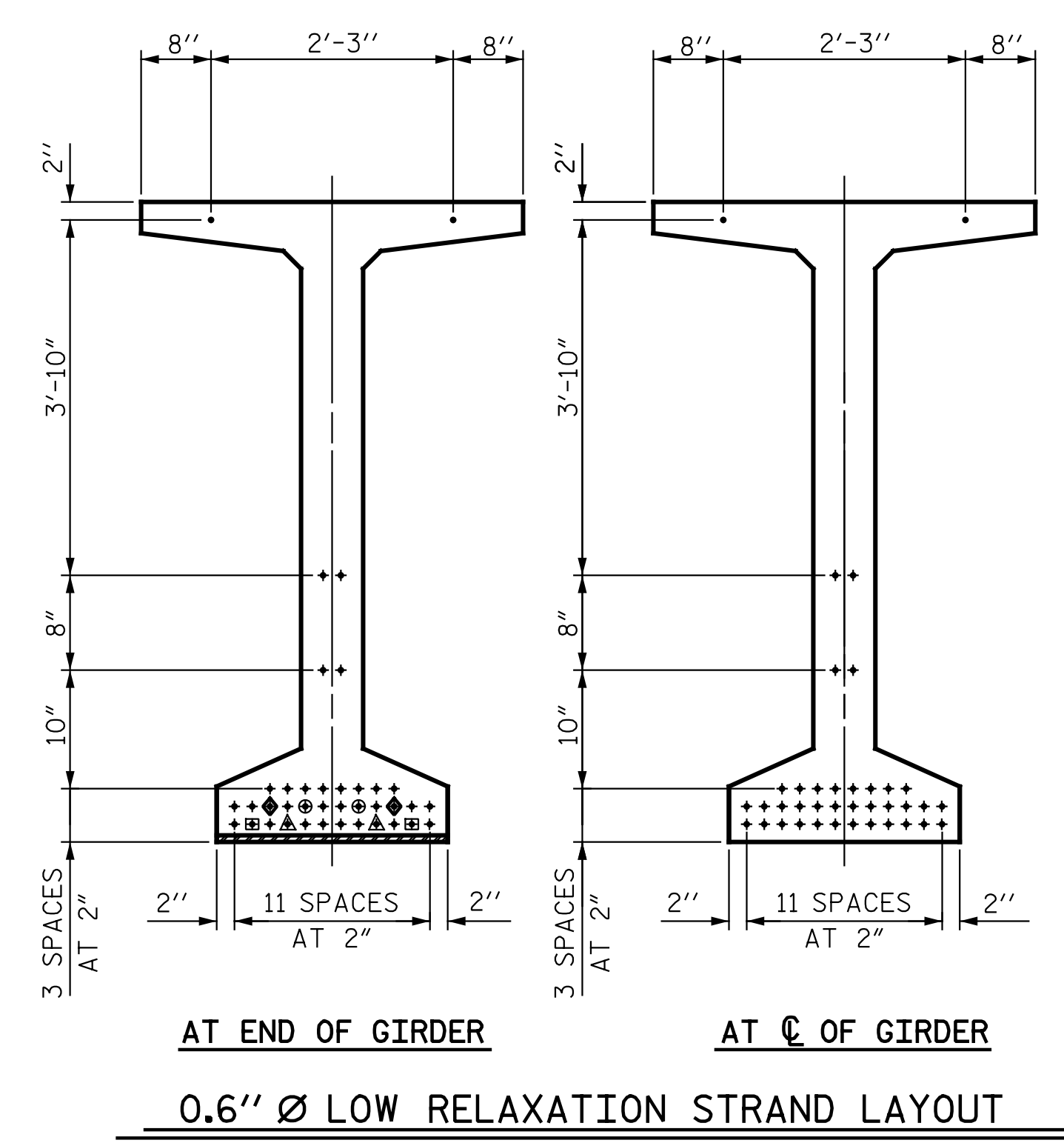
\*FOR S7 BARS. SEE  
DETAIL "C" OF  
PRESTRESSED  
CONCRETE GIRDER  
CONTINUOUS FOR LIVE  
LOAD DETAILS SHEET



1/2" Ø FORMED  
HOLE. SEE ELEVATION  
FOR LOCATION. FOR  
DIM. "A", "B" & "C"  
SEE "INTERMEDIATE  
STEEL DIAPHRAGMS"  
SHEET.)

**DEBONDING LEGEND**

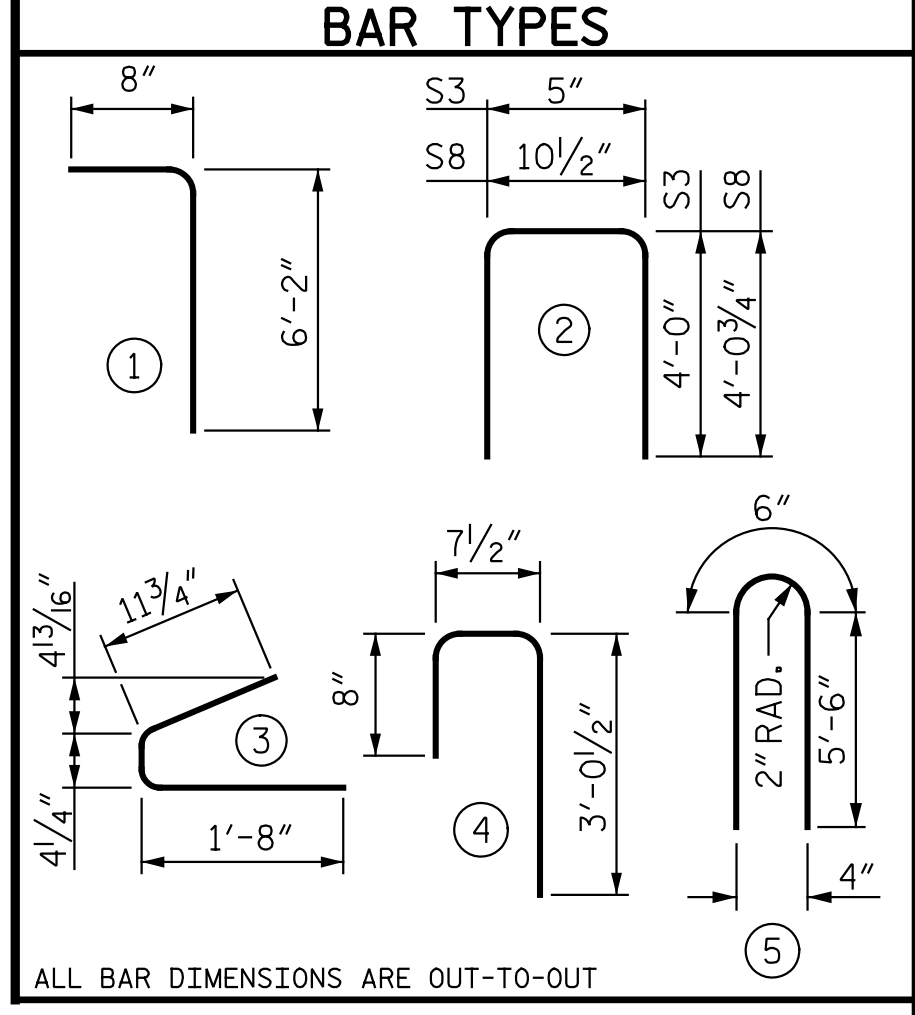
- FULLY BONDED STRANDS
- ◻ STRANDS DEBONDED FOR 4'-0" FROM END OF GIRDER
- ◼ STRANDS DEBONDED FOR 24'-0" FROM END OF GIRDER
- STRANDS DEBONDED FOR 12'-0" FROM END OF GIRDER
- ◊ STRANDS DEBONDED FOR 40'-0" FROM END OF GIRDER



0.6" Ø L. R. GRADE 270 STRANDS		
AREA (SQUARE INCHES)	ULTIMATE STRENGTH (LBS. PER STRAND)	APPLIED PRESTRESS (LBS. PER STRAND)
0.217	58,600	43,950

REINFORCING STEEL FOR ONE GDR					
BAR	NUMBER	SIZE	TYPE	LENGTH	WEIGHT
S1	228	#4	1	6'-10"	1041
S2	24	#5	1	6'-10"	171
S3	14	#4	2	8'-5"	79
S4	84	#4	3	3'-0"	168
S6	252	#5	4	4'-4"	1139
*S7	40	#5	STR	3'-8"	153
S8	2	#5	2	9'-0"	19
S9	15	#5	STR	3'-3"	51
S10	2	#3	STR	1'-10"	1
S11	8	#5	5	11'-6"	96
S12	16	#4	STR	8'-0"	86

\*NOTE: S7 BARS SHALL BE BENT BEFORE SHIPMENT. HEAT BENDING SHALL NOT BE ALLOWED.



QUANTITIES FOR ONE GIRDER			
REINFORCING STEEL	7000 PSI CONCRETE	0.6" Ø L.R. STRANDS	
		LB.	C.Y.
3004	25.4	38	

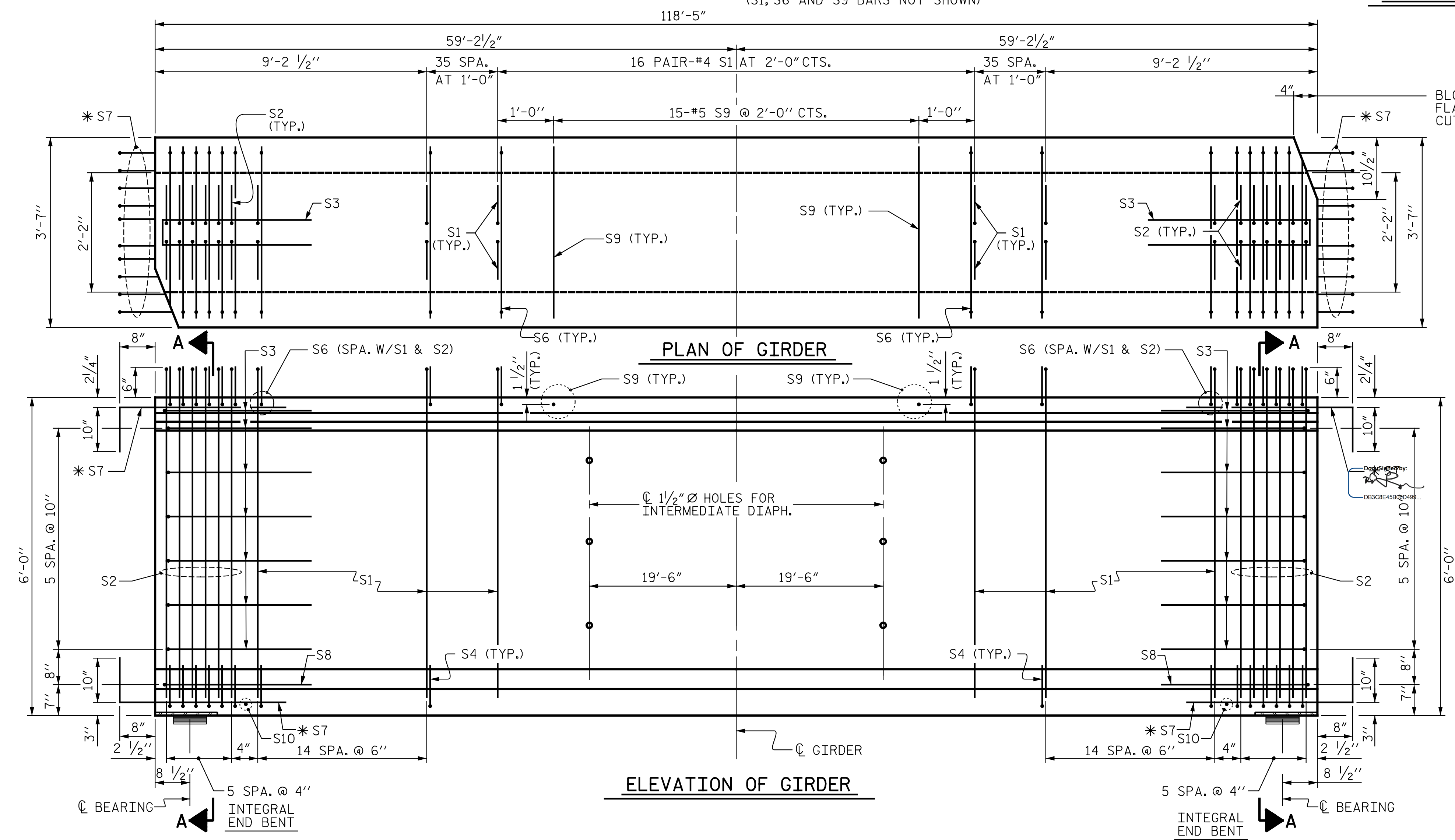
GIRDERS REQUIRED		
NUMBER	LENGTH	TOTAL LENGTH
5	118'-5"	592'-1"

PROJECT NO. R-2514D  
JONES COUNTY  
 STATION: 320+39.56 -L-

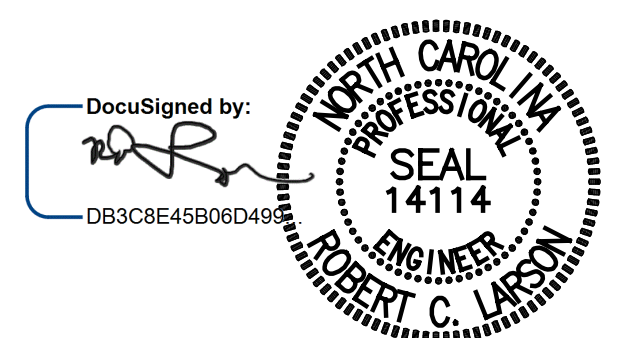
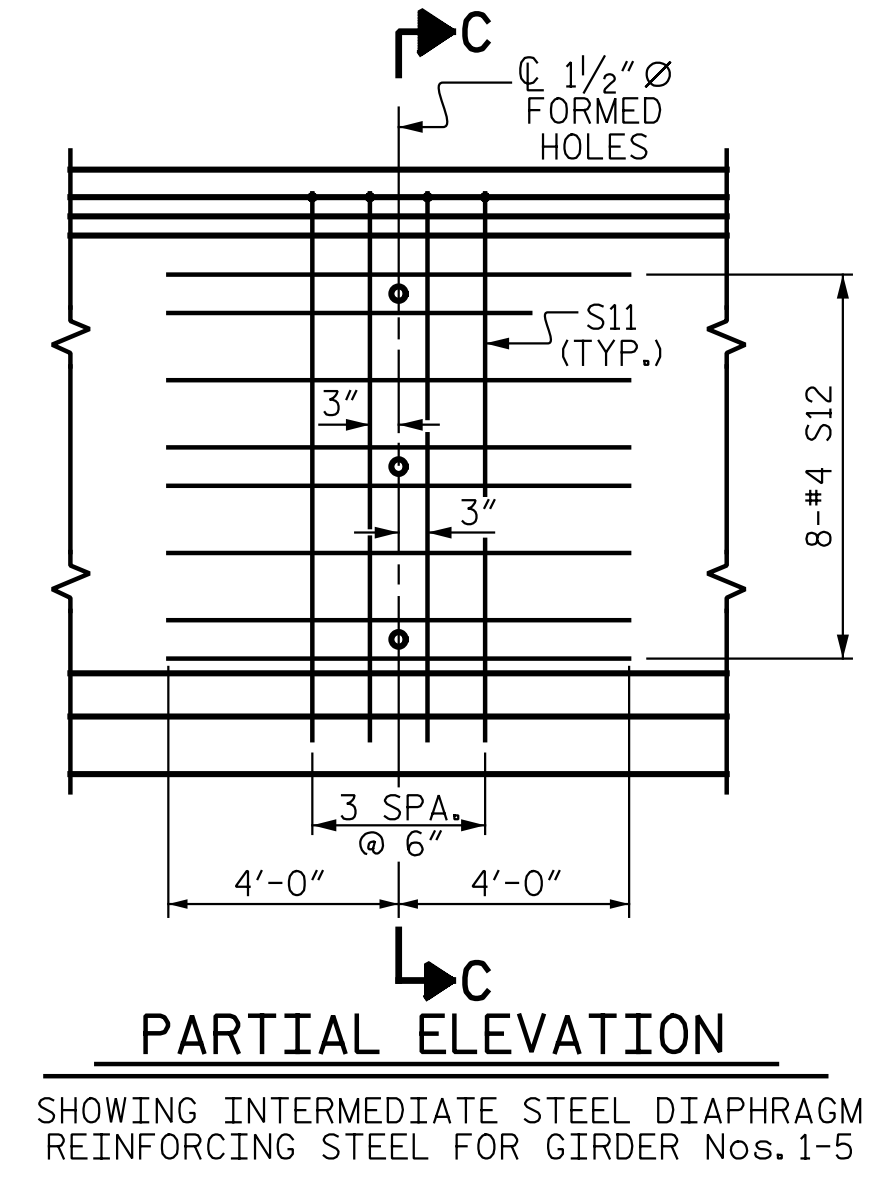
SHEET 1 OF 3

STATE OF NORTH CAROLINA  
 DEPARTMENT OF TRANSPORTATION  
 RALEIGH

STANDARD  
 72" PRESTRESSED CONCRETE  
 MODIFIED BULB TEE  
 CONTINUOUS FOR LIVE LOAD  
 STD. NO. PCG8 LEFT LANE



BLOCKOUT IN TOP  
FLANGE (TYP. EA. END).  
CUT S6 BAR AT BLOCK OUT



ASSEMBLED BY : R. C. LARSON DATE : 8/21/13  
 CHECKED BY : R. A. PRUETT DATE : 11/06/13  
 Design Engineer of Record:  
 DRAWN BY : EEM 2/6/97 REV. 5/1/06R TLA/GM  
 CHECKED BY : VAP 2/6/97 REV. 10/1/11 MAA/GM  
 REV. 6/13 MAA/GM  
 3/10/2015

KCI Associates  
 of North Carolina, P.A.  
 DWG. REF. NO. 9 OF 24

REVISIONS					
NO.	BY:	DATE:	NO.	BY:	DATE:
1			3		
2			4		

SHEET NO. SOI-9  
 TOTAL SHEETS SOI-24  
 STR-#1