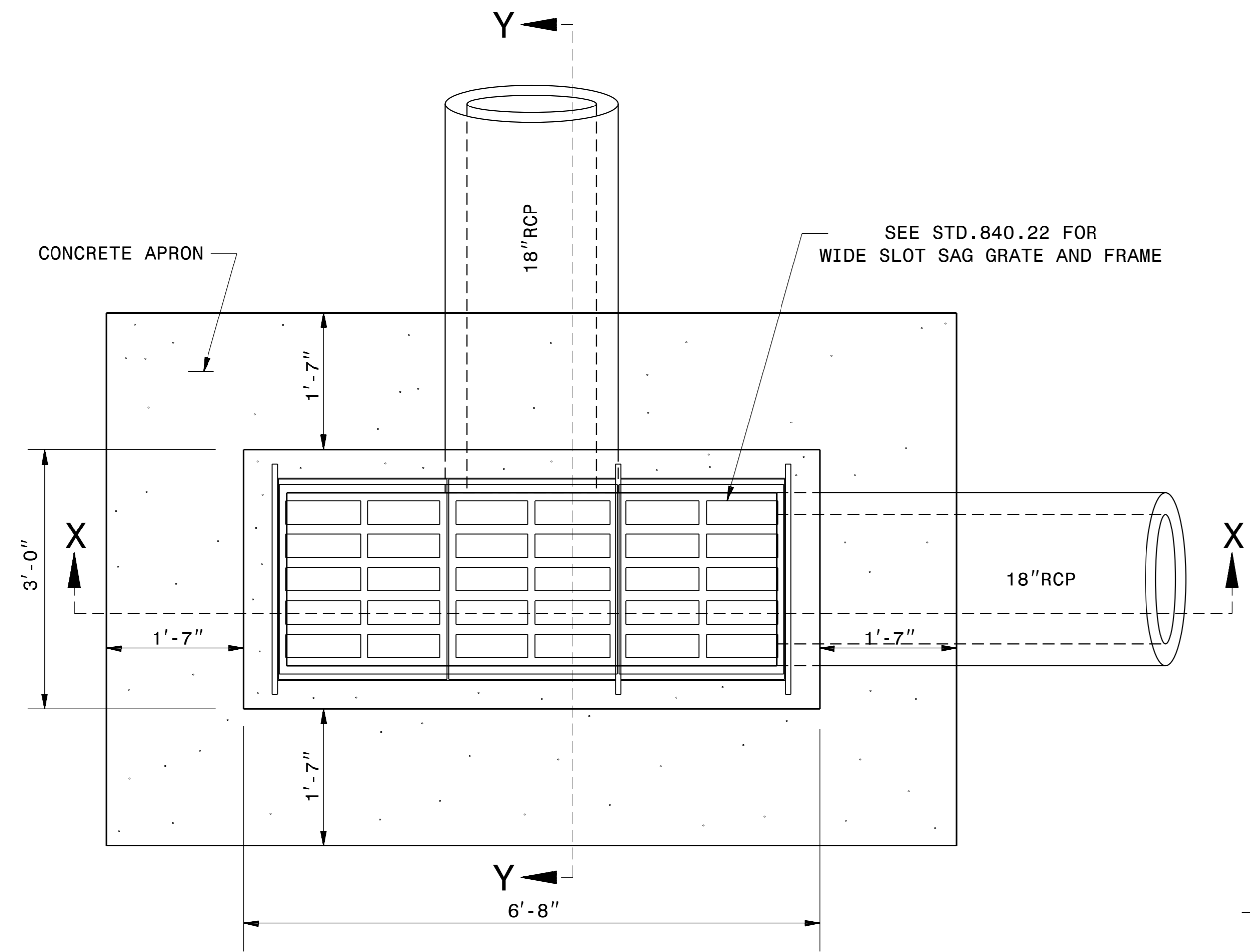
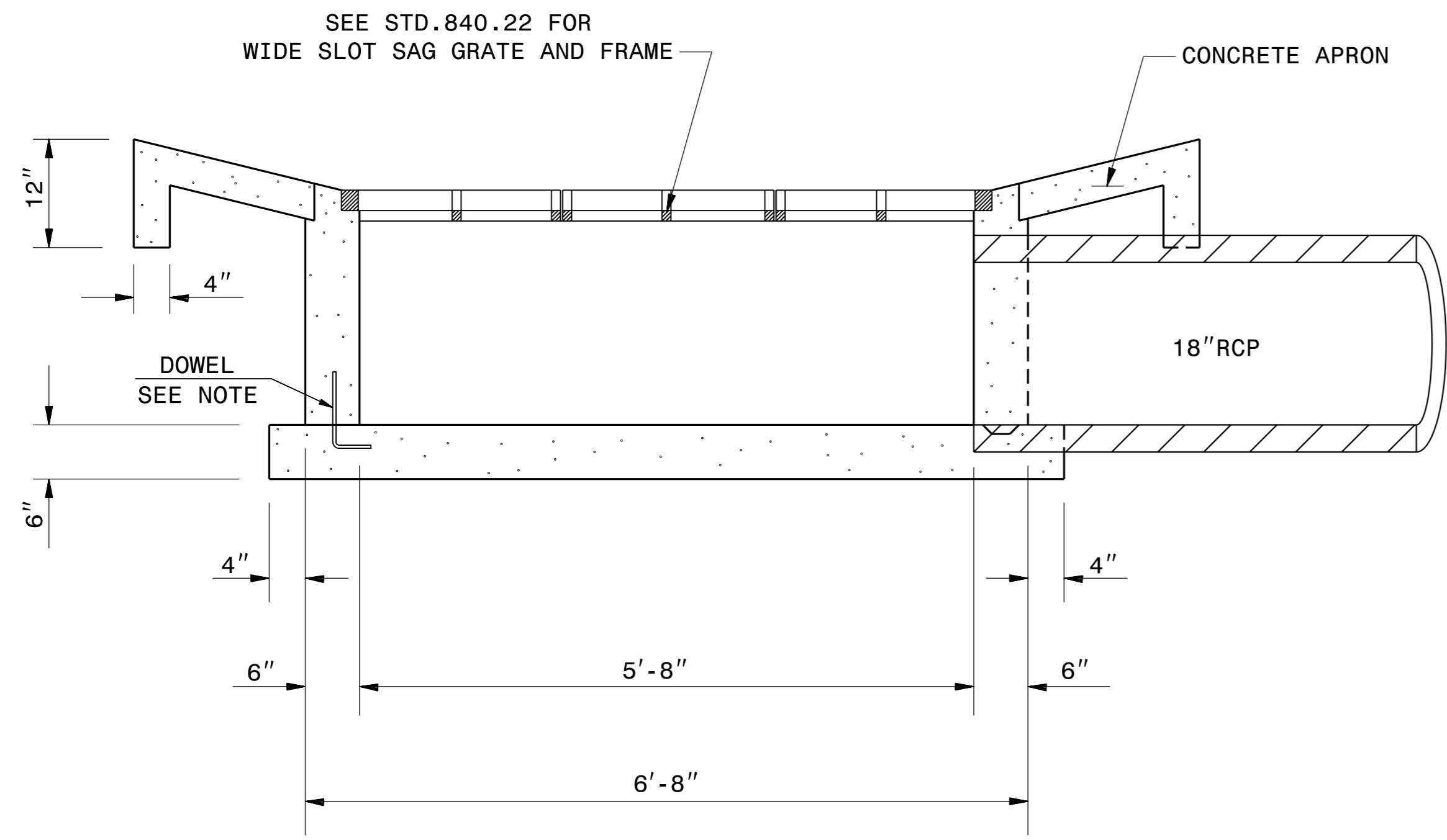


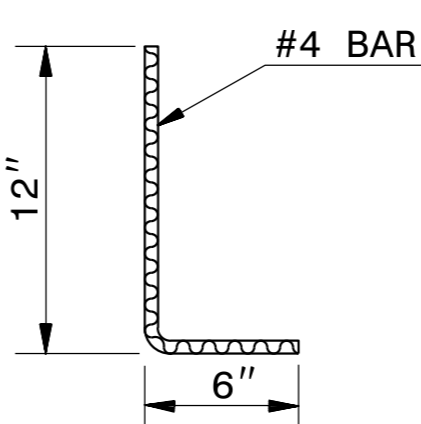
5/14/99



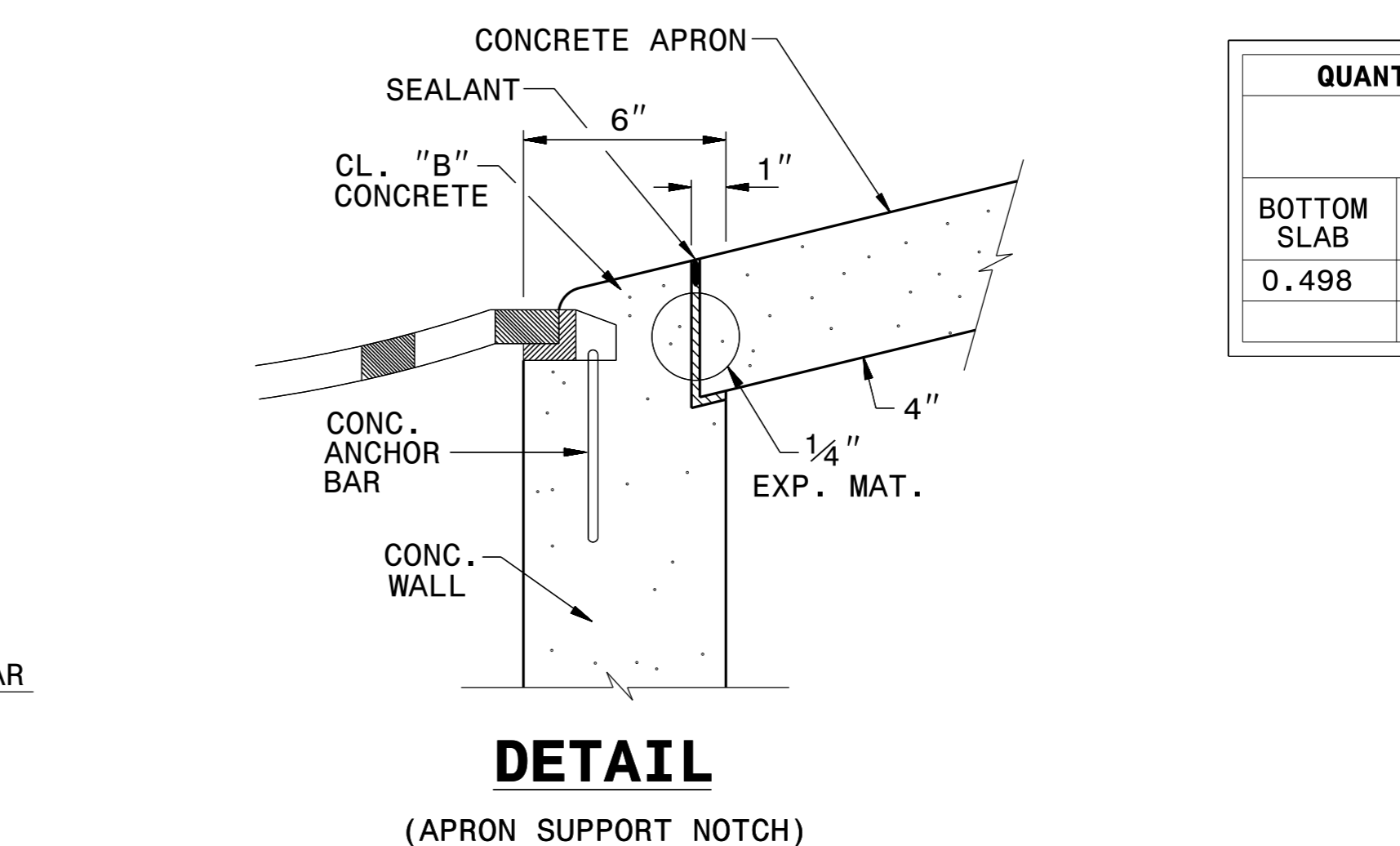
PLAN 3GI



SECTION X-X

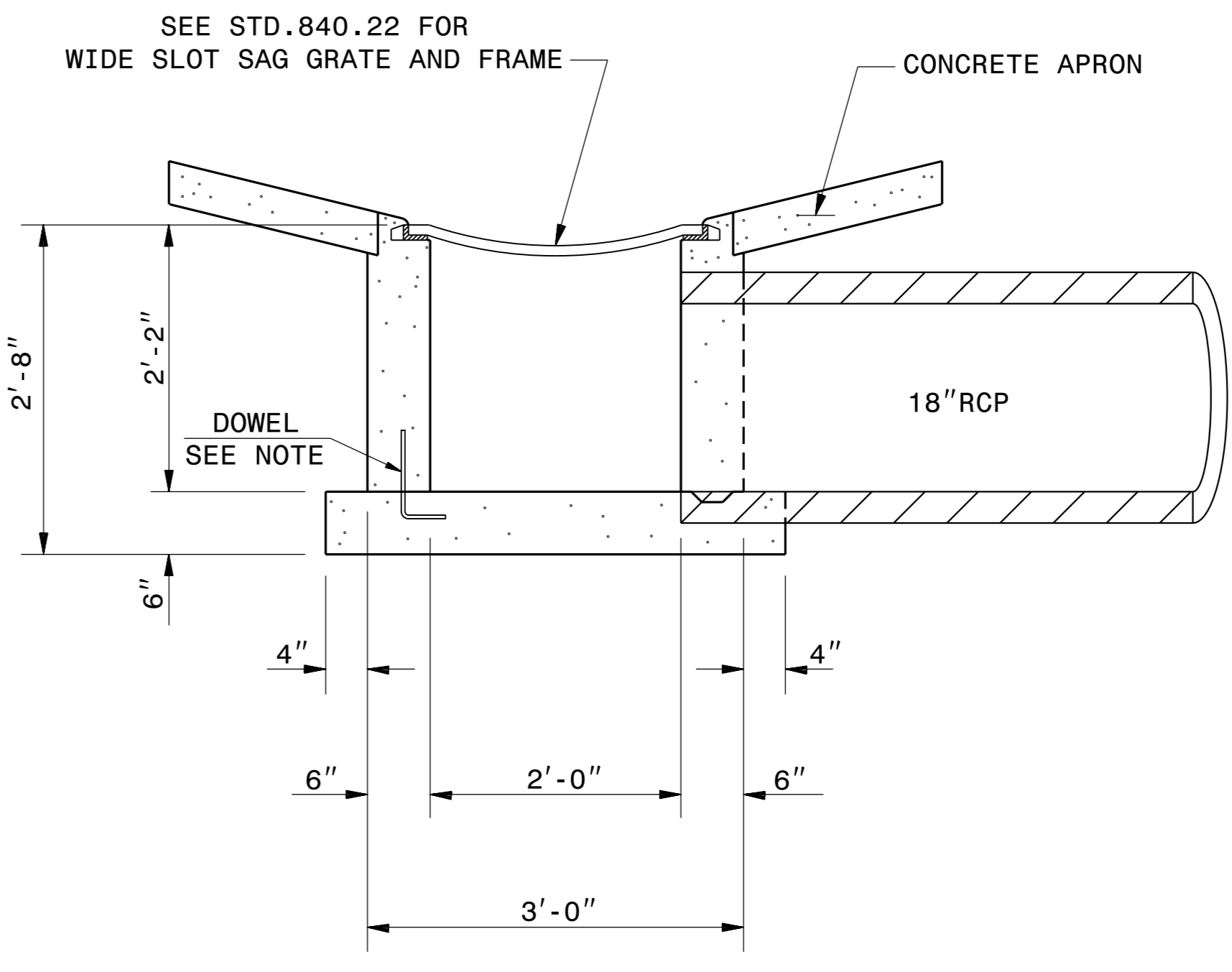


DOWEL



DETAIL

(APRON SUPPORT NOTCH)



SECTION X-X

NOTE: SEE STD. 840.25 FOR FRAME AND ANCHORAGE

GENERAL NOTES:
 USE CLASS "B" CONCRETE THROUGHOUT.
 PROVIDE ALL GRATED DROP INLETS OVER 3'-6" IN DEPTH WITH STEPS 12" ON CENTER. USE STEPS WHICH COMPLY WITH STD. DRAWING 840.66.
 OPTIONAL CONSTRUCTION - MONOLITHIC POUR, 2" KEYWAY, OR #4 BAR DOWELS AT 12" CENTERS AS DIRECTED BY THE ENGINEER.
 USE FORMS FOR THE CONSTRUCTION OF THE BOTTOM SLAB.
 IF REINFORCED CONCRETE PIPE IS SET IN BOTTOM SLAB OF BOX, ADD TO SLAB AS SHOWN ON STD. NO. 840.00.
 USE STANDARD FRAME AND GRATE 840.22 WITH WIDE SLOT SAG GRATE.
 SEE STANDARD DRAWING 840.25 FOR ATTACHMENT OF FRAMES AND GRATES.
 CHAMFER ALL EXPOSED CORNERS 1".

QUANTITIES FOR CONCRETE GRATED DROP INLET					
		CUBIC YARDS OF CONCRETE IN BOX		DEDUCTIONS FOR ONE PIPE	
BOTTOM SLAB	BOX	APRON	TOTAL	18" C.S.	18" R.C.
0.498	0.696	0.603	1.797	0.033	0.049



3/23/2015
 DocuSigned by:
 Joel Howerton
 873F3D17DCC45F...

CONTRACT STANDARDS & DEVELOPMENT UNIT
STANDARDS AND SPECIAL DESIGN
 Office 919-707-6900 FAX 919-250-4119

CONCRETE GRATED DROP INLET
TRIPLE GRATE AND FRAME

ORIGINAL BY: _____ DATE: _____
 MODIFIED BY: nbritt DATE: 03/17/2015
 CHECKED BY: _____ DATE: _____
 FILE SPEC.: detail/nbritt/english/rural/r2514d conc grated di.dgn

\$\$\$\$\$C:\TIME\$\$\$\$\$
 \$\$\$X-Z\$\$\$\$\$
 \$\$\$USERNAME\$\$\$\$\$