

**This electronic collection of documents is provided
for the convenience of the user
and is Not a Certified Document –**

**The documents contained herein were originally issued
and sealed by the individuals whose names and license
numbers appear on each page, on the dates appearing
with their signature on that page.**

**This file or an individual page
shall not be considered a certified document.**

PROJECT: R-3622B

CONTRACT:

**STATE OF NORTH CAROLINA
DEPARTMENT OF TRANSPORTATION**

**PAVEMENT MARKING PLAN
CHEROKEE COUNTY**

LOCATION: NC 294 FROM SR 1130 (SUNNY POINT ROAD) TO SR 1312 (UPPER BEAR PAW ROAD)

<small>TIP NO.</small> R-3622B	<small>SHEET NO.</small> PMP - 1
<small>APPROVED:</small>	
<small>DATE:</small> 4/10/2015	

INDEX

<u>SHEET NO.</u>	<u>DESCRIPTION</u>
PMP-1	PAVEMENT MARKING PLAN TITLE AND SCHEDULE SHEET
PMP-2 THRU PMP-4	PAVEMENT MARKING DETAIL

GENERAL NOTES

- THE FOLLOWING GENERAL NOTES APPLY AT ALL TIMES FOR THE DURATION OF THE CONSTRUCTION PROJECT, EXCEPT WHEN OTHERWISE NOTED IN THE PLAN, OR DIRECTED BY THE ENGINEER.
- A) INSTALL PAVEMENT MARKINGS AND PAVEMENT MARKERS ON THE FINAL SURFACE AS FOLLOWS:
- | <u>ROAD NAME</u> | <u>MARKING</u> | <u>MARKER</u> |
|----------------------|----------------|---------------|
| NC 294 | THERMOPLASTIC | SNOWFLOWABLE |
| RADFORD RD | THERMOPLASTIC | SNOWFLOWABLE |
| WARE RD | THERMOPLASTIC | SNOWFLOWABLE |
| FRIENDSHIP CHURCH RD | THERMOPLASTIC | SNOWFLOWABLE |
| CROWE RD | THERMOPLASTIC | SNOWFLOWABLE |
| UPPER BEAR PAW RD | THERMOPLASTIC | SNOWFLOWABLE |
- B) TIE PROPOSED PAVEMENT MARKING LINES TO EXISTING PAVEMENT MARKING LINES.
- C) REMOVE/REPLACE ANY CONFLICTING/DAMAGED PAVEMENT MARKINGS AND MARKERS.
- D) PASSING ZONES WILL BE DETERMINED IN THE FIELD AND MUST BE APPROVED BY THE ENGINEER.
- E) STOP BAR LOCATION AT NON-SIGNALIZED INTERSECTIONS MAY BE ADJUSTED AS DIRECTED BY THE ENGINEER.
- F) UNLESS OTHERWISE SPECIFIED, HEATED-IN-PLACE THERMOPLASTIC MAY BE USED IN LIEU OF EXTRUDED THERMOPLASTIC FOR STOP BARS, SYMBOLS, CHARACTERS AND DIAGONALS. IF HEATED-IN-PLACE IS USED, IT SHALL BE PAID FOR USING THE EXTRUDED THERMOPLASTIC PAY ITEM.

ROADWAY STANDARD DRAWING


THE FOLLOWING ROADWAY STANDARDS AS APPEAR IN "ROADWAY STANDARD DRAWINGS" - PROJECT SERVICES UNIT - N.C. DEPARTMENT OF TRANSPORTATION - RALEIGH, N.C., DATED JANUARY 2012 ARE APPLICABLE TO THIS PROJECT AND BY REFERENCE HEREBY ARE CONSIDERED A PART OF THESE PLANS:

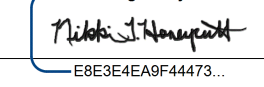
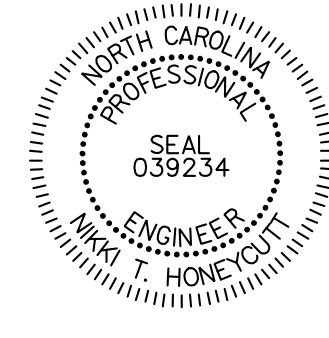
<u>STD. NO.</u>	<u>TITLE</u>
1205.01	PAVEMENT MARKINGS - LINE TYPES AND OFFSETS
1205.02	PAVEMENT MARKINGS - TWO-LANE AND MULTILANE ROADWAYS
1205.04	PAVEMENT MARKINGS - INTERSECTIONS
1250.01	RAISED PAVEMENT MARKERS - INSTALLATION SPACING
1253.01	RAISED PAVEMENT MARKERS - SNOWFLOWABLE
1261.01	GUARDRAIL AND BARRIER DELINEATORS - INSTALLATION SPACING
1261.02	GUARDRAIL AND BARRIER DELINEATORS - TYPES AND MOUNTING
1262.01	GUARDRAIL END DELINEATION

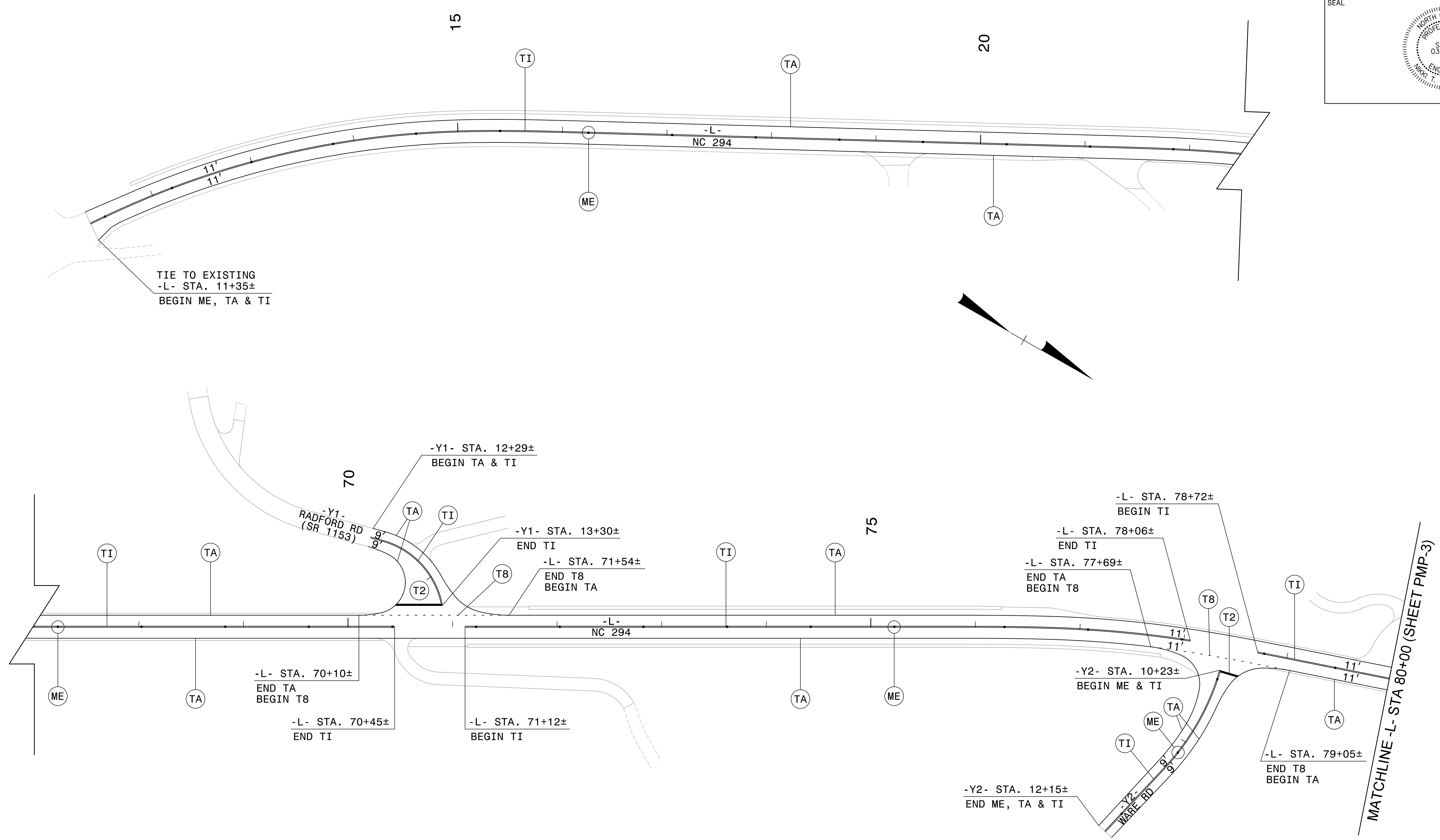
FINAL PAVEMENT MARKING SCHEDULE

<u>SYMBOL</u>	<u>DESCRIPTION</u>
	PAVEMENT MARKINGS
	THERMOPLASTIC (24", 120 MIL)
T2	WHITE STOPBAR
	THERMOPLASTIC (4", 120 MIL)
T8	2 FT. - 6 FT. / SP WHITE MINISKIP
TI	YELLOW DOUBLE CENTER LINE
	THERMOPLASTIC (4", 90 MIL)
TA	WHITE EDGELINE
	MARKERS
	SNOWFLOWABLE RAISED PAVEMENT MARKERS
ME	YELLOW & YELLOW

PLAN PREPARED BY: STV /Ralph Whitehead Associates, Inc.		 STV / Ralph Whitehead Associates, Inc. 900 West Trade St., Ste. 715 Charlotte, NC 28202 NC License Number F-0991
<u>NIKKI T. HONEYCUTT, PE</u>	TRAFFIC ENGINEER	
<u>CLARK E. GROVES</u>	TRANSPORTATION DESIGNER	


 STV / Ralph Whitehead Associates, Inc.
 900 West Trade St., Ste. 715
 Charlotte, NC 28202
 NC License Number F-0991


TIP NO.	SHEET NO.
R-3622B	PMP-2
APPROVED: 	
DATE: 4/10/2015	
	

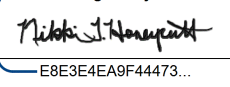
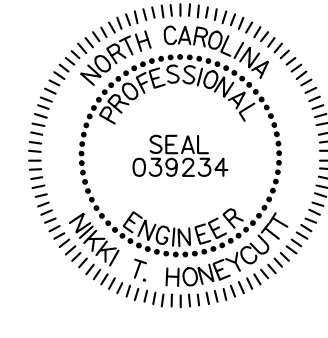


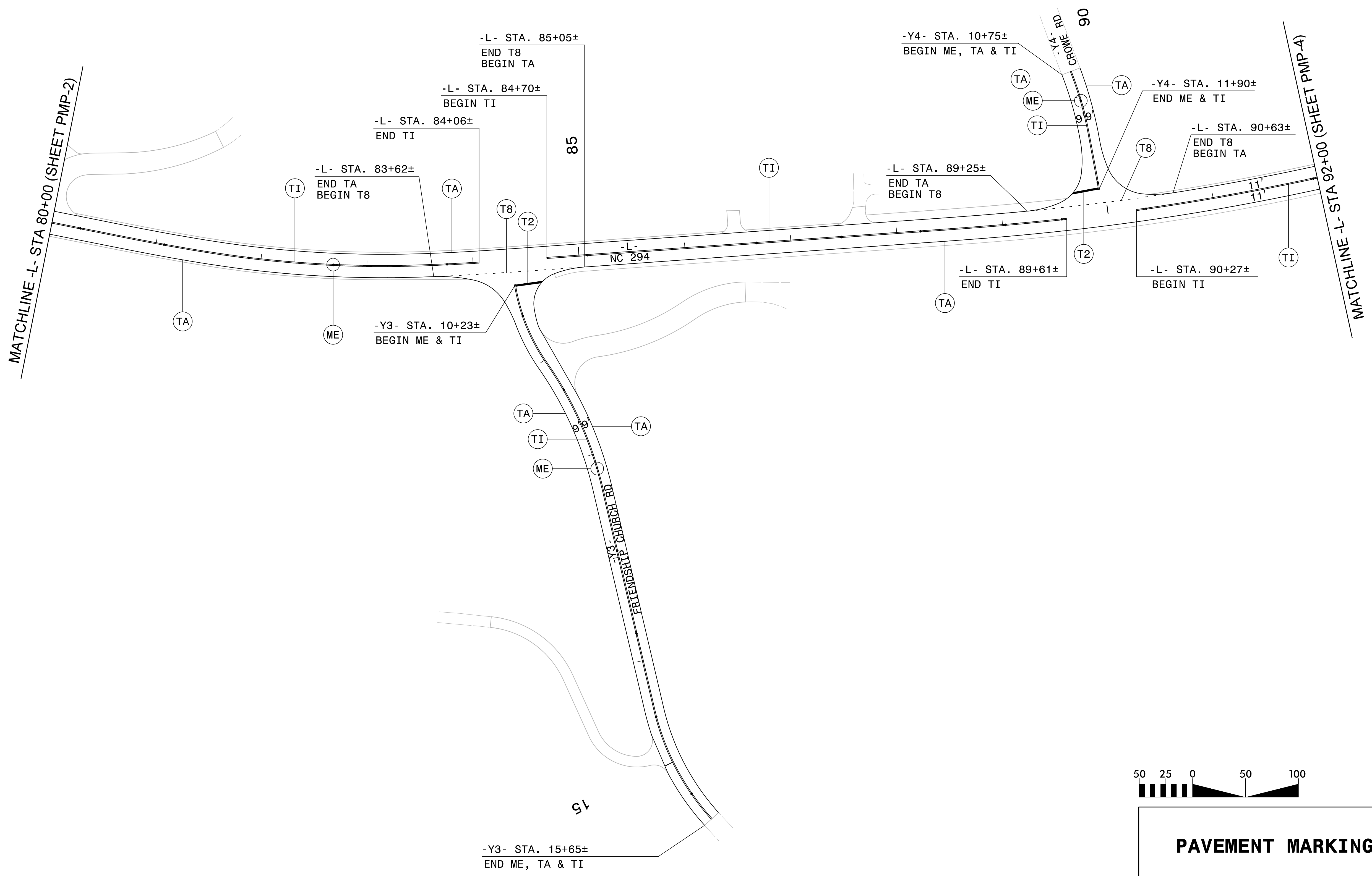
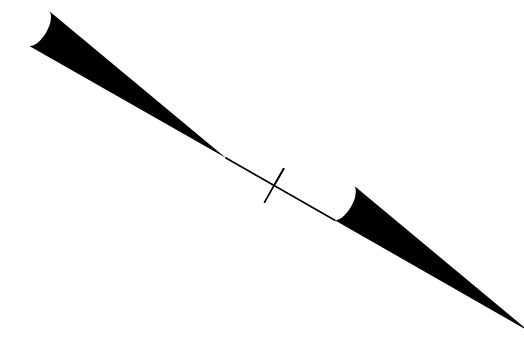
4/9/2015
 R:\Roadway\Projects\PMR\3622B_PMP_psh02.dgn
 C:\groves



PAVEMENT MARKING DETAIL


 STV / Ralph Whitehead Associates, Inc.
 900 West Trade St., Ste. 715
 Charlotte, NC 28202
 NC License Number F-0991

TIP NO.	SHEET NO.
R-3622B	PMP-3
APPROVED: 	
DATE: 4/10/2015	
	

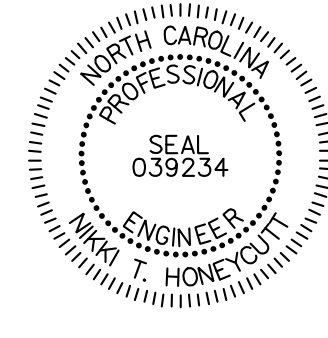


PAVEMENT MARKING DETAIL

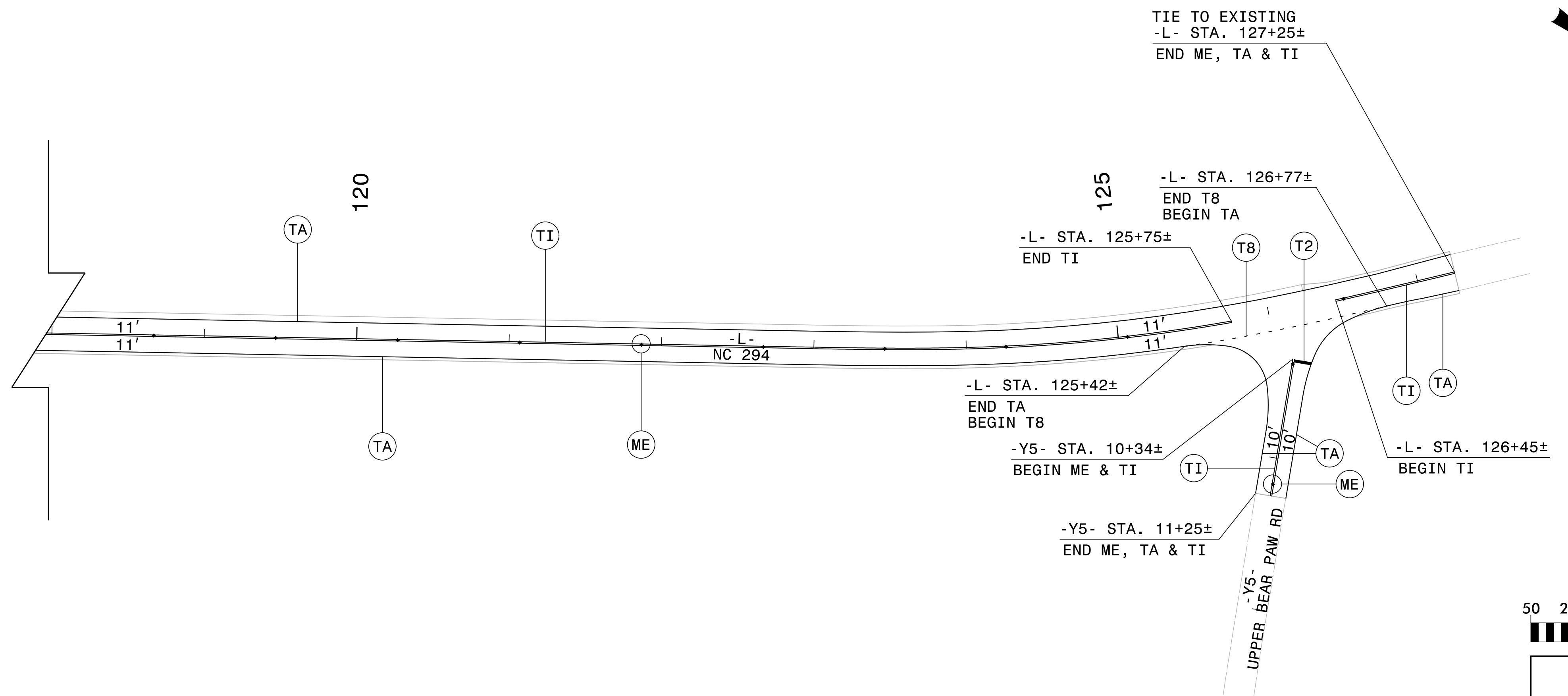
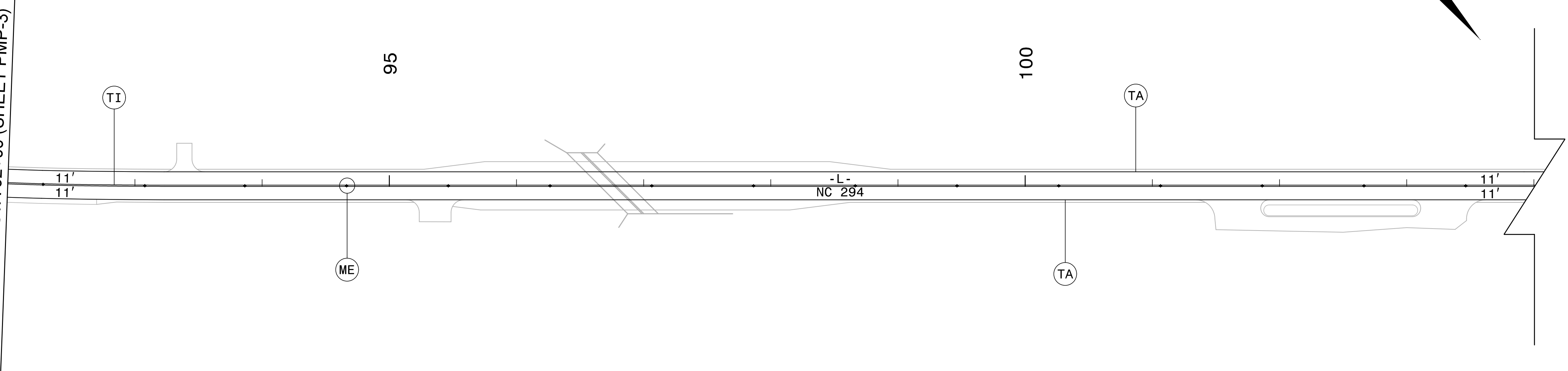
4/9/2015
 R:\Roadway\Proj\NMP\3622B_PMP_psh03.dgn
 CGroves

STV / Ralph Whitehead Associates, Inc.
 900 West Trade St., Ste. 715
 Charlotte, NC 28202
 NC License Number F-0991

TIP NO. R-3622B	SHEET NO. PMP-4
APPROVED: <i>[Signature]</i> EBE3E4EAF44473	
DATE: 4/10/2015	
SEAL	



MATCHLINE -L- STA 92+00 (SHEET PMP-3)



PAVEMENT MARKING DETAIL

4/9/2015
R:\Roadway\Proj\NMP\3622B_PMP_psh04.dgn
C:\groves