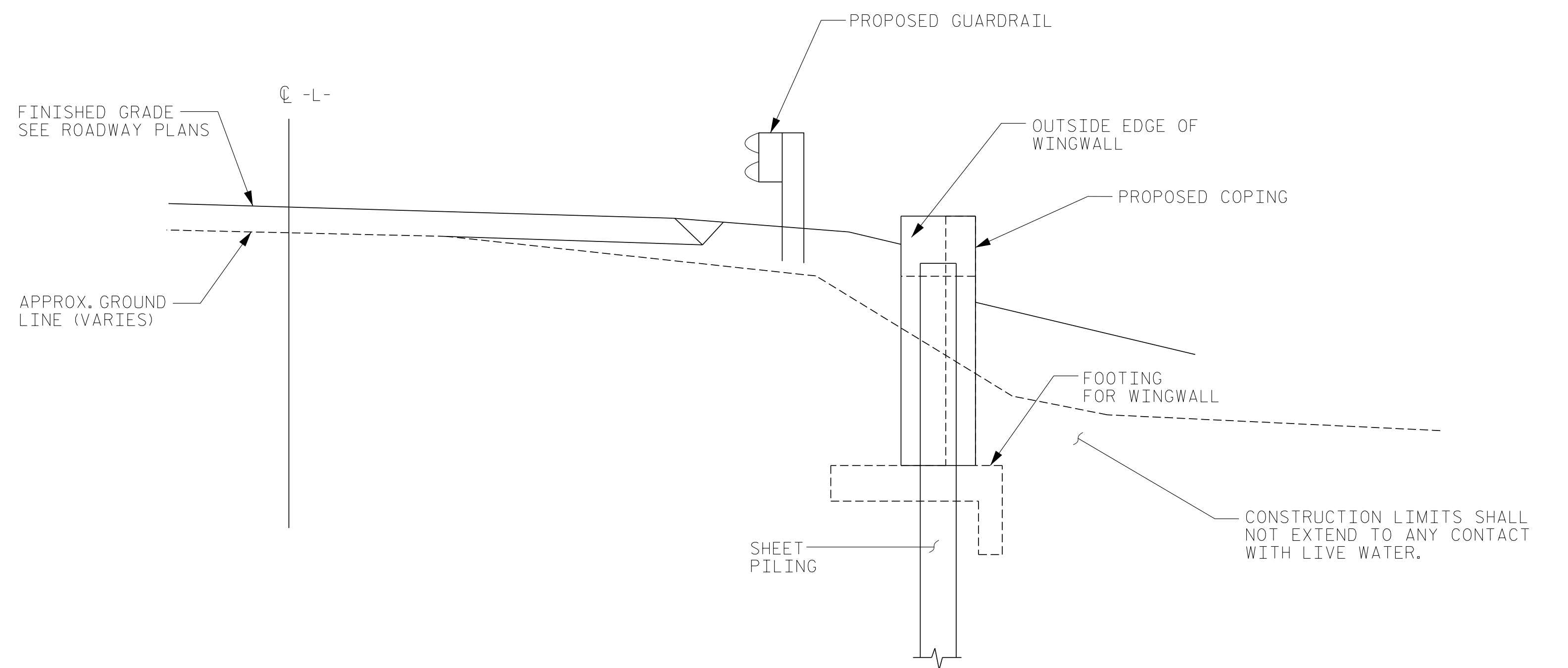
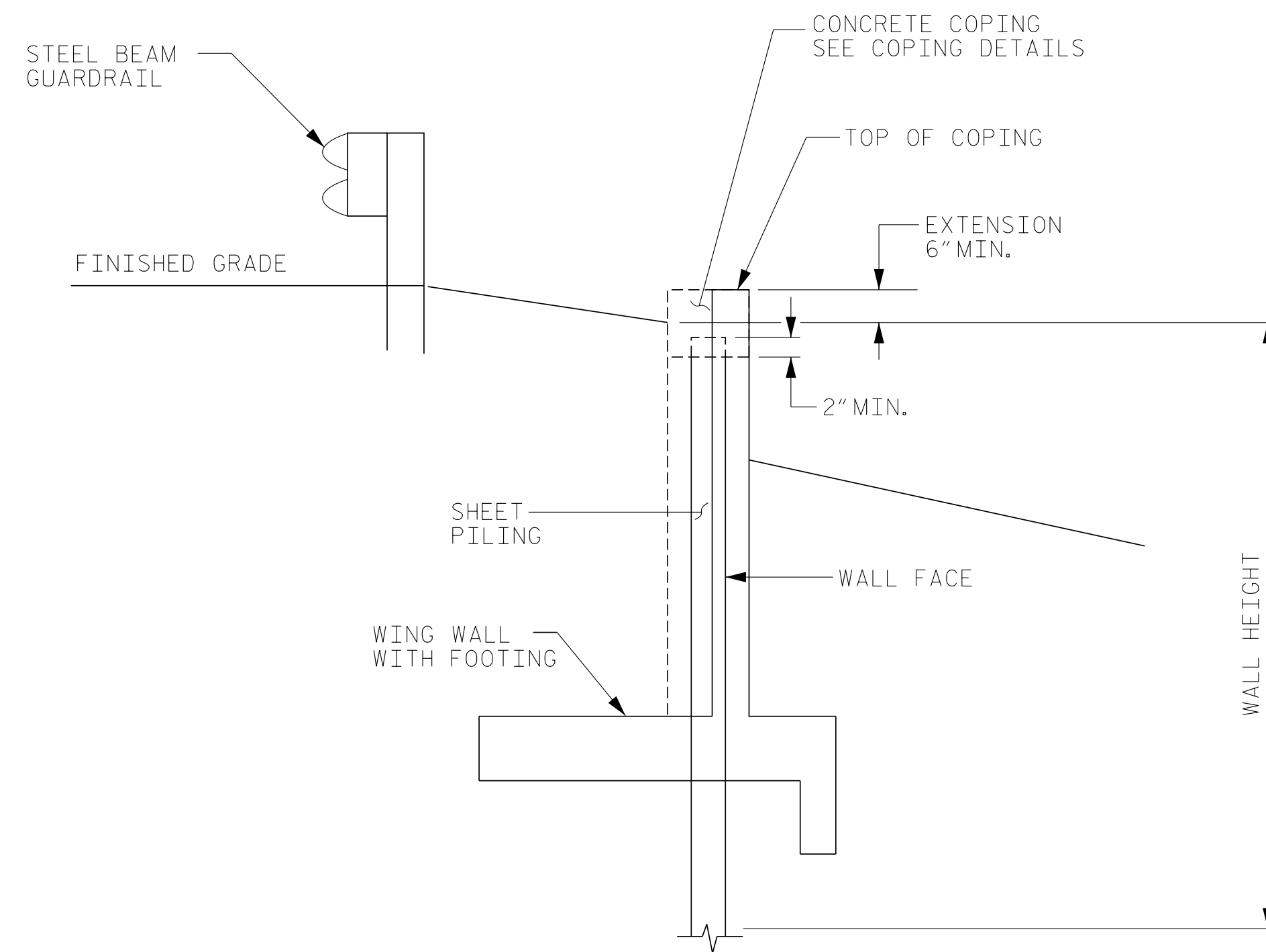


**SHEET PILE WALL - TYPICAL SECTION**



**SHEET PILE RETAINING WALL**



**SHEET PILE WALL - TYPICAL SECTION AT WALL/ WING INTERFACE**

PROJECT NO. R-3622B  
CHEROKEE COUNTY  
 STATION: 96+77.46 -L-

SHEET 2 OF 4

STATE OF NORTH CAROLINA  
 DEPARTMENT OF TRANSPORTATION  
 RALEIGH

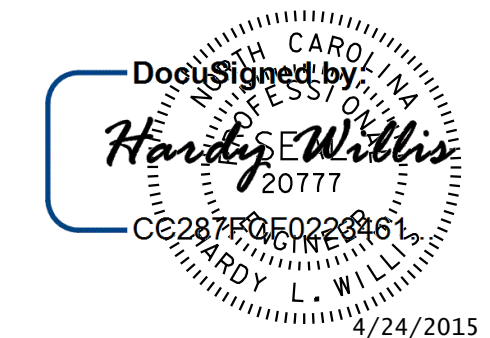
DOUBLE 8' X 6'  
 CONCRETE BOX CULVERT  
 45° SKEW  
 SHEET PILE DETAILS

**V&M**  
**Vaughn & Melton**  
 Consulting Engineers

Charlotte, North Carolina  
 704-357-0488

Asheville, NC 828-828-2796  
 Boone, NC 828-355-9933  
 Tri-Cities, TN 423-467-8401  
 Knoxville, TN 865-546-5800  
 Spartanburg, SC 864-574-4775  
 Charleston, SC 843-974-5650  
 Middleboro, KY 606-248-6600  
 Atlanta, GA 770-627-3509

Copyright © 2006 Vaughn & Melton, Inc. All Rights Reserved



DWN. BY: RWW DATE: MAR 2015  
 CHKD. BY: HLW DATE: MAR 2015  
 DES. EGR. OF RECORD: CBC DATE: MAR 2015

REVISIONS						SHEET NO. S-15
NO.	BY:	DATE:	NO.	BY:	DATE:	
1			3			TOTAL SHEETS 17
2			4			