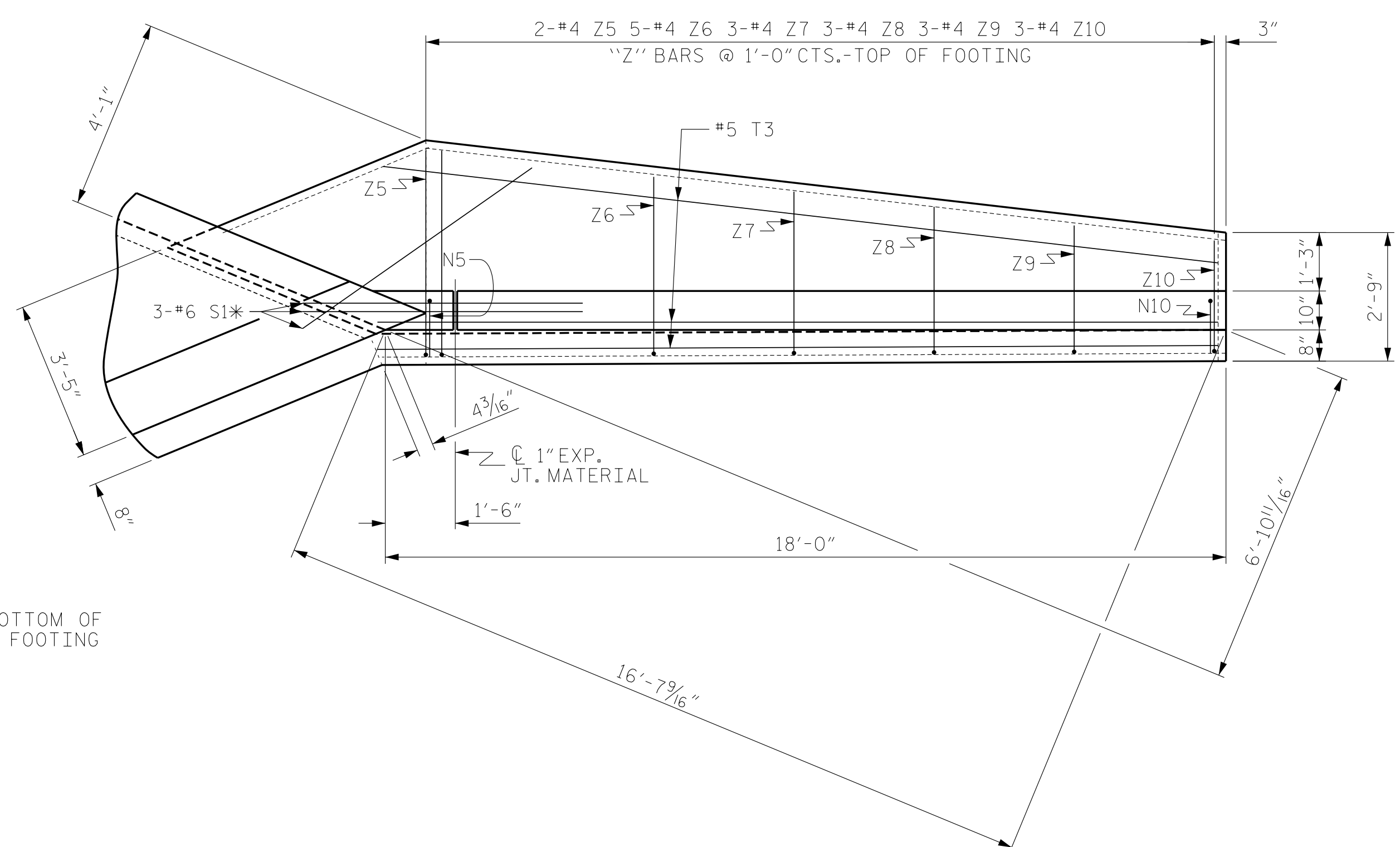
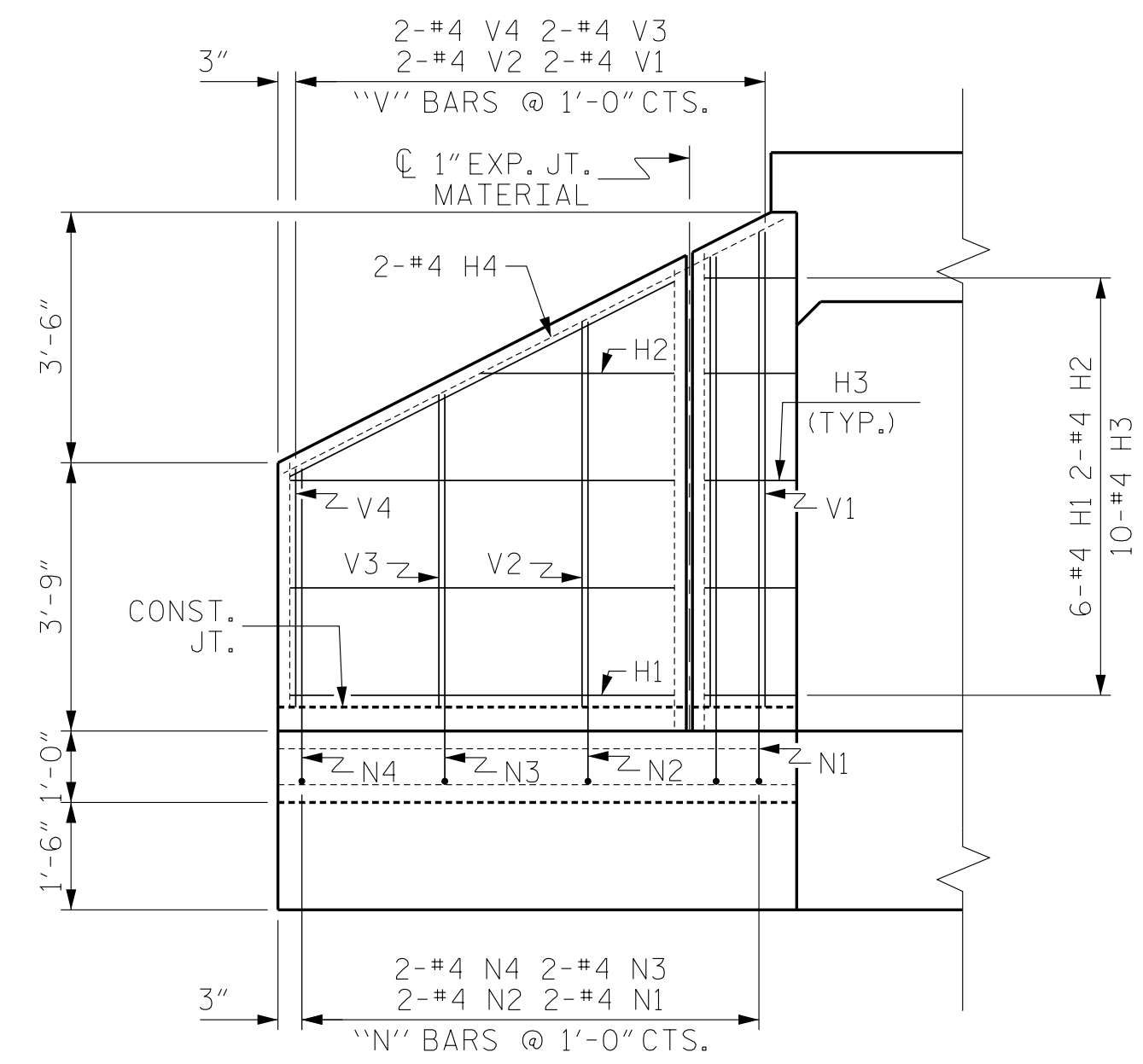


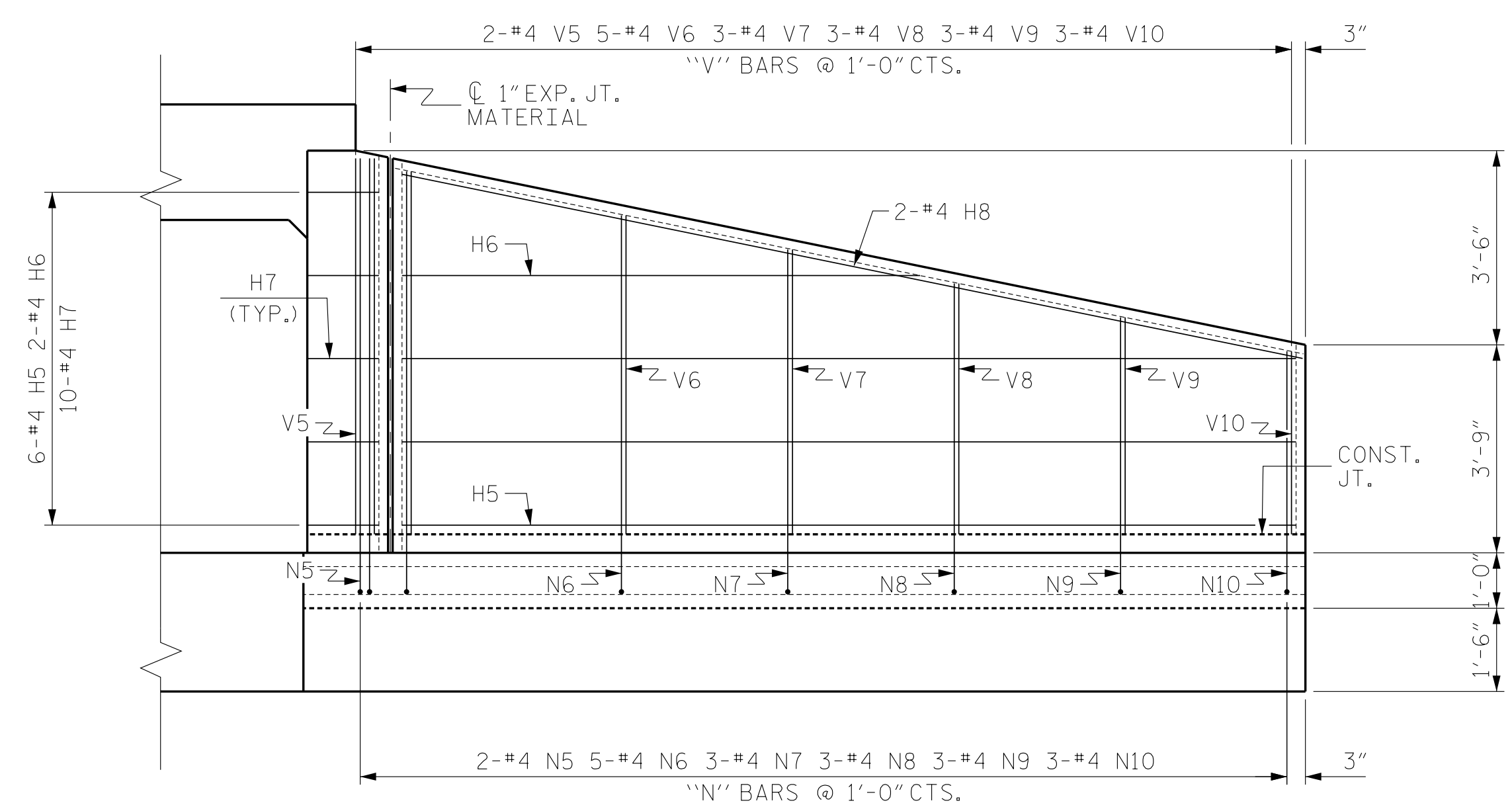
PLAN W2



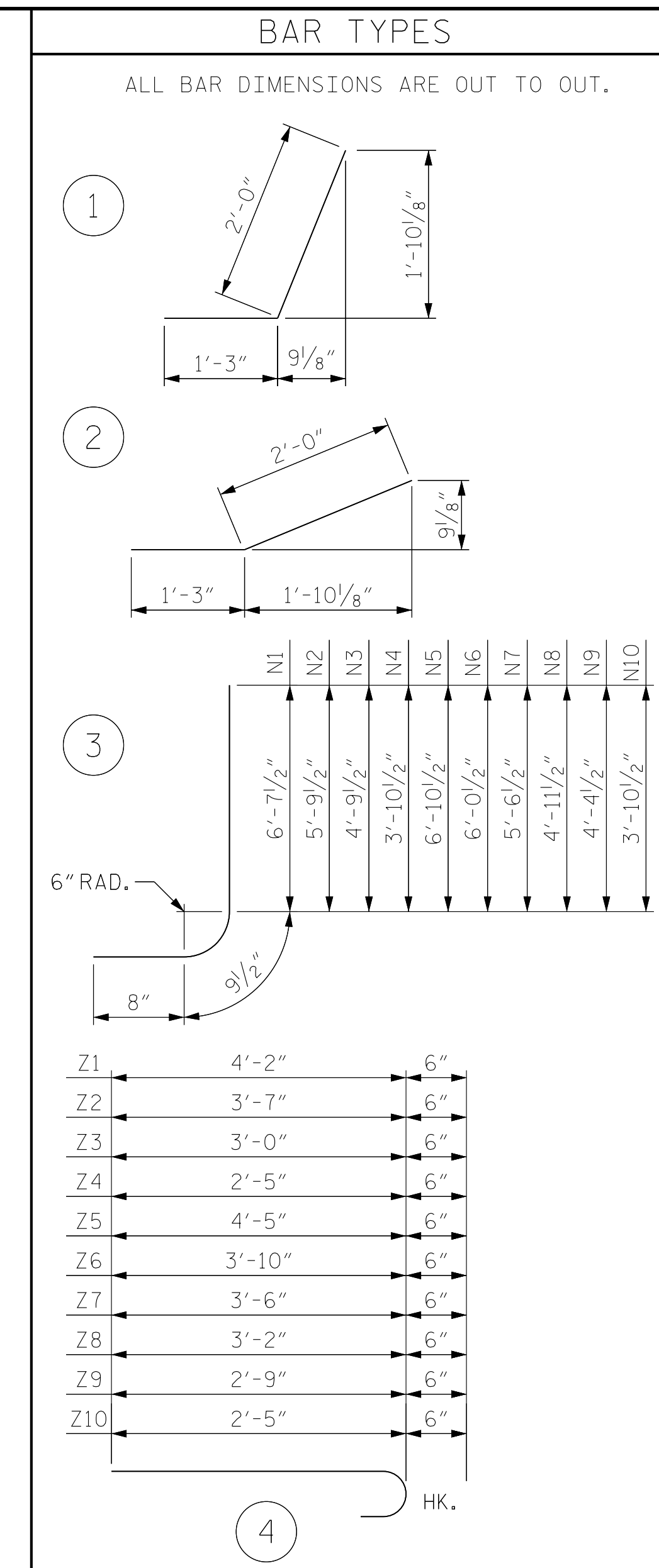
PLAN W1



ELEVATION W2



ELEVATION W1



BAR	NO.	SIZE	TYPE	LENGTH	WEIGHT
H1	6	#4	STR	5'-4"	21
H2	2	#4	STR	2'-6"	3
H3	10	#4	1	3'-3"	22
H4	4	#4	STR	5'-11"	8
H5	6	#4	STR	16'-1"	64
H6	2	#4	STR	9'-4"	12
H7	10	#4	2	3'-3"	22
H8	2	#4	STR	16'-4"	22

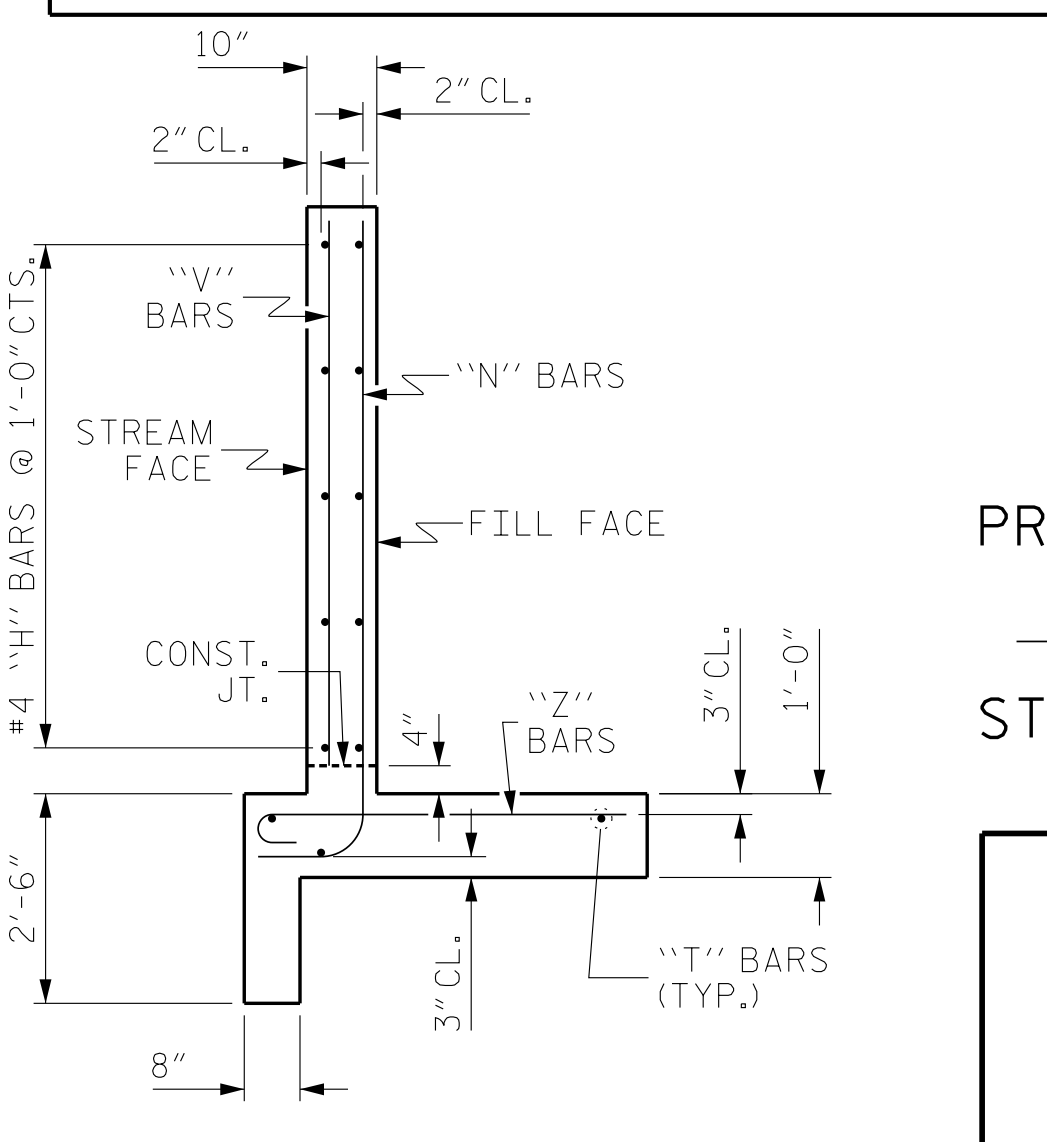
N1	2	#4	3	8'-1"	11
N2	2	#4	3	7'-3"	10
N3	2	#4	3	6'-3"	8
N4	2	#4	3	5'-4"	7
N5	2	#4	3	8'-4"	11
N6	5	#4	3	7'-6"	25
N7	3	#4	3	7'-0"	14
N8	3	#4	3	6'-5"	13
N9	3	#4	3	5'-10"	12
N10	3	#4	3	5'-4"	11

S1	6	#6	STR	6'-0"	54
T1	2	#5	STR	7'-3"	15
T2	1	#5	STR	8'-0"	8
T3	3	#5	STR	18'-0"	56

V1	2	#4	STR	6'-1"	8
V2	2	#4	STR	5'-2"	7
V3	2	#4	STR	4'-3"	6
V4	2	#4	STR	3'-4"	4
V5	2	#4	STR	6'-3"	8
V6	5	#4	STR	5'-6"	18
V7	3	#4	STR	4'-11"	10
V8	3	#4	STR	4'-5"	9
V9	3	#4	STR	3'-10"	8
V10	3	#4	STR	3'-3"	7

Z1	2	#4	4	4'-8"	6
Z2	2	#4	4	4'-1"	5
Z3	2	#4	4	3'-6"	5
Z4	2	#4	4	2'-11"	4
Z5	2	#4	4	4'-11"	7
Z6	5	#4	4	4'-4"	14
Z7	3	#4	4	4'-0"	8
Z8	3	#4	4	3'-8"	7
Z9	3	#4	4	3'-3"	7
Z10	3	#4	4	2'-11"	6

REINFORCING STEEL FOR 2 WINGS		583 LBS
CLASS A CONCRETE		
2 WINGS		9.1 C.Y.
1 HEADWALLS		1.2 C.Y.
1 END CURTAIN WALLS		1.4 C.Y.
TOTAL		11.7 C.Y.



TYPICAL WING SECTION

PROJECT NO. R-3622B
CHEROKEE COUNTY
 STATION: 96+77.46 -L-

STATE OF NORTH CAROLINA DEPARTMENT OF TRANSPORTATION RALEIGH					
STANDARD WINGS FOR CONCRETE BOX CULVERT					
H = 6'-0"			SLOPE = 2:1		
			45° OR 135° SKEW		
REVISIONS					
NO.	BY:	DATE:	NO.	BY:	DATE:
1			3		
2			4		
SHEET NO.					TOTAL SHEETS
S-10					17

ASSEMBLED BY: RWW DATE: FEB 2015
 CHECKED BY: HLW DATE: FEB 2015
 DRAWN BY: CCJ 01/00
 CHECKED BY: RWW 03/00

