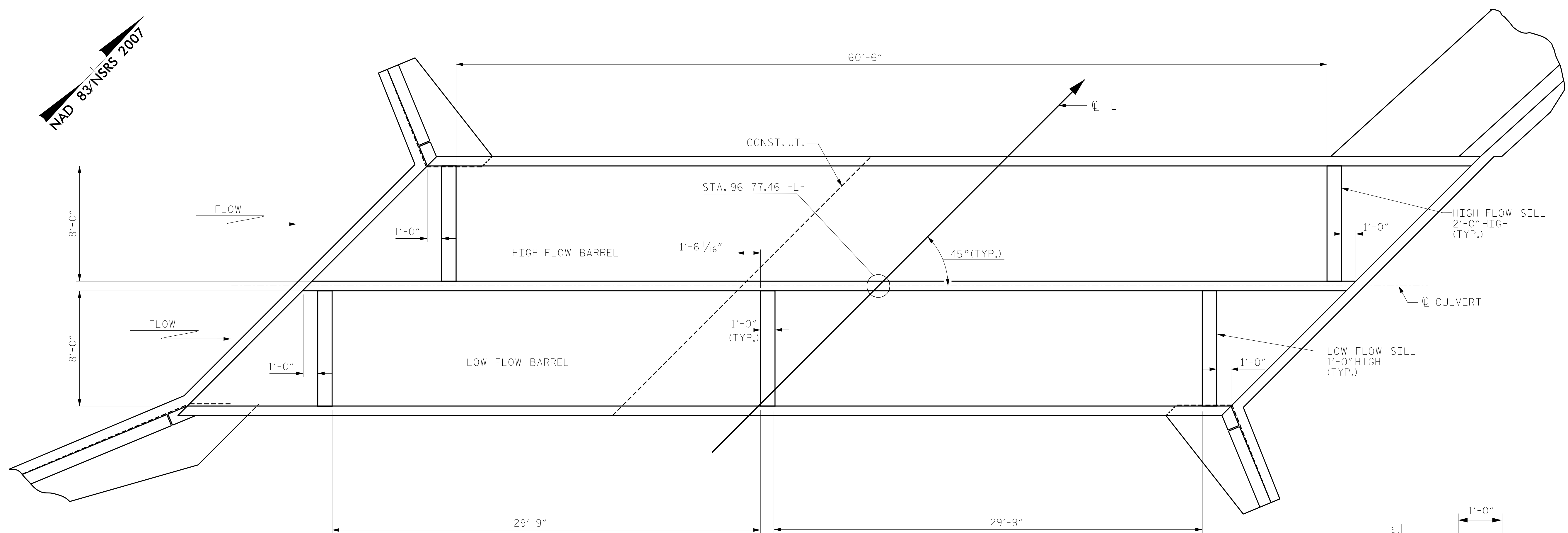
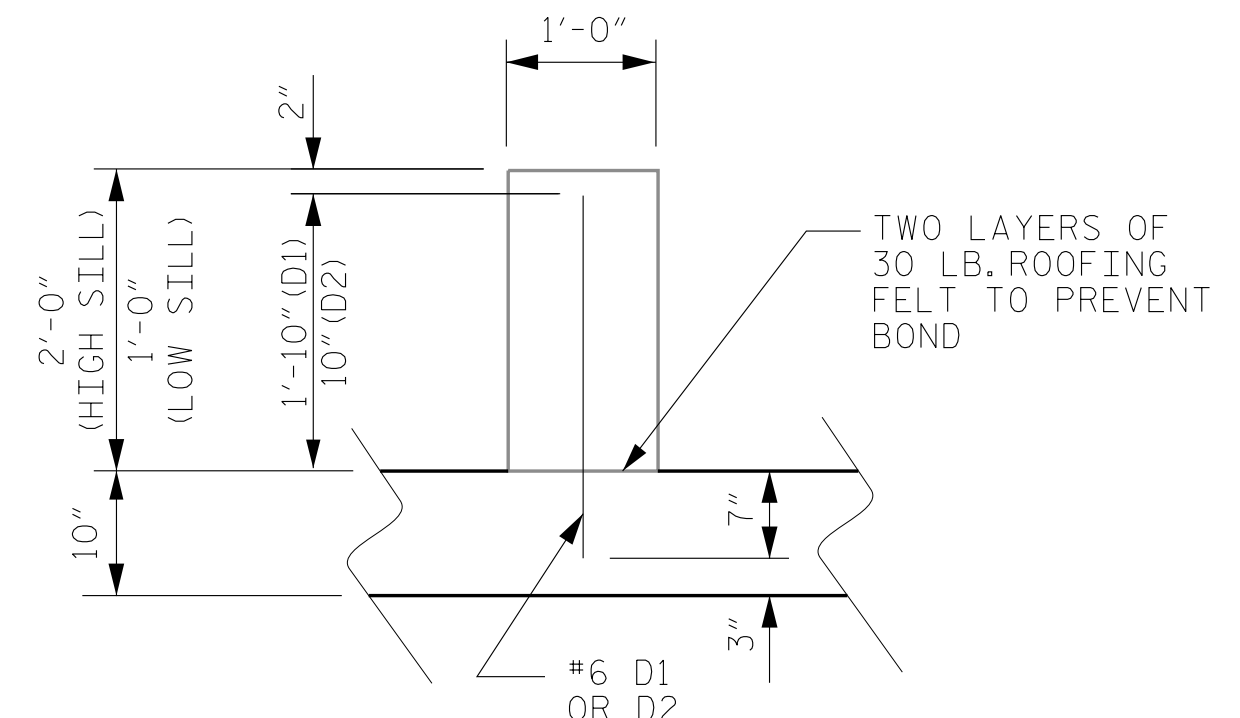


NAD 83/NRS 2007

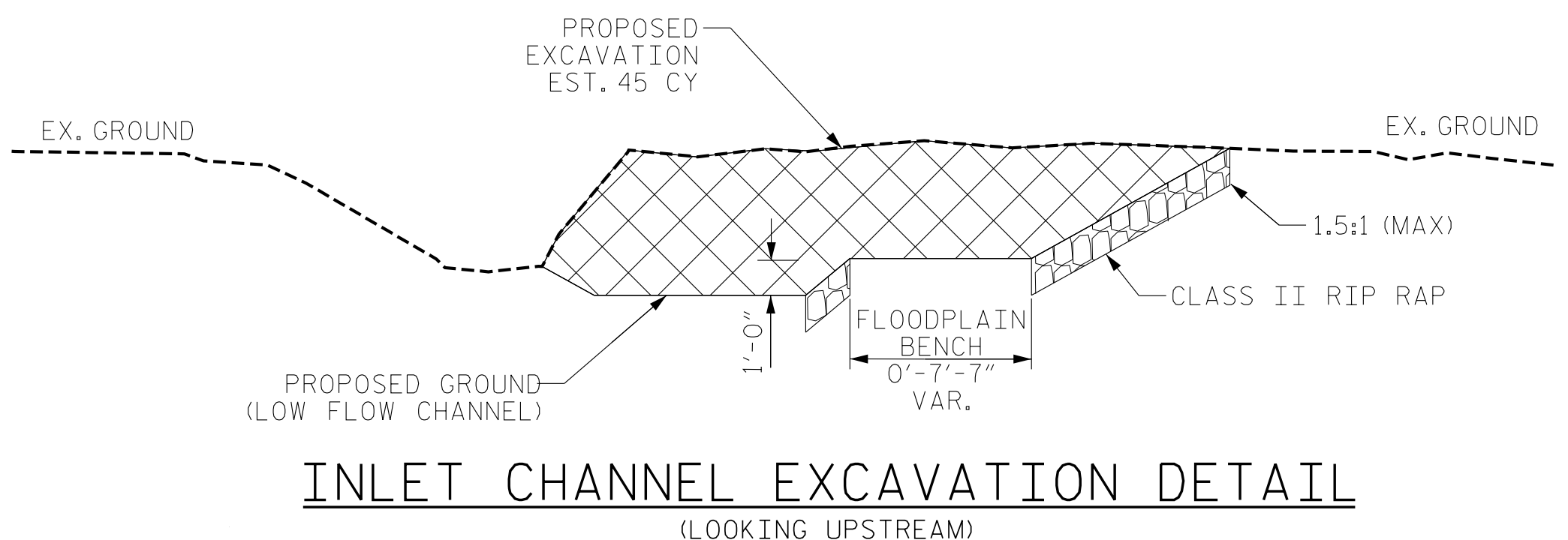


CULVERT SILL LAYOUT



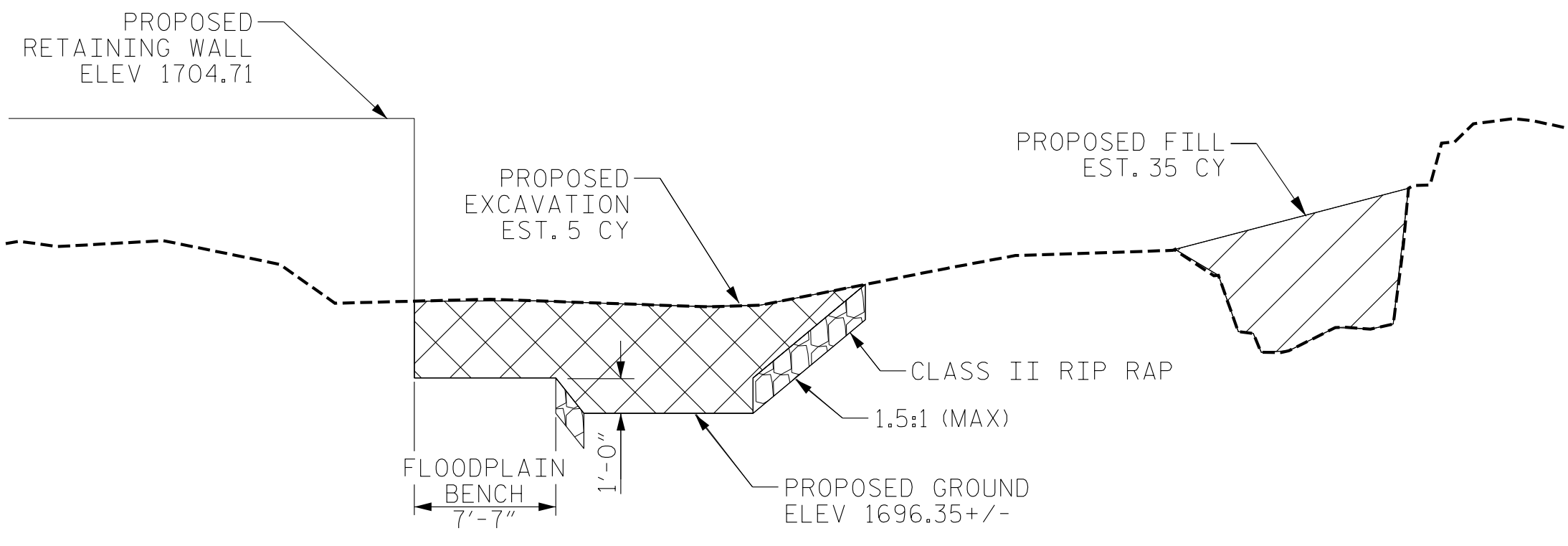
SECTION THROUGH SILL

DOWELS MAY BE PUSHED INTO GREEN CONCRETE AFTER SLAB HAS BEEN FLOAT FINISHED.



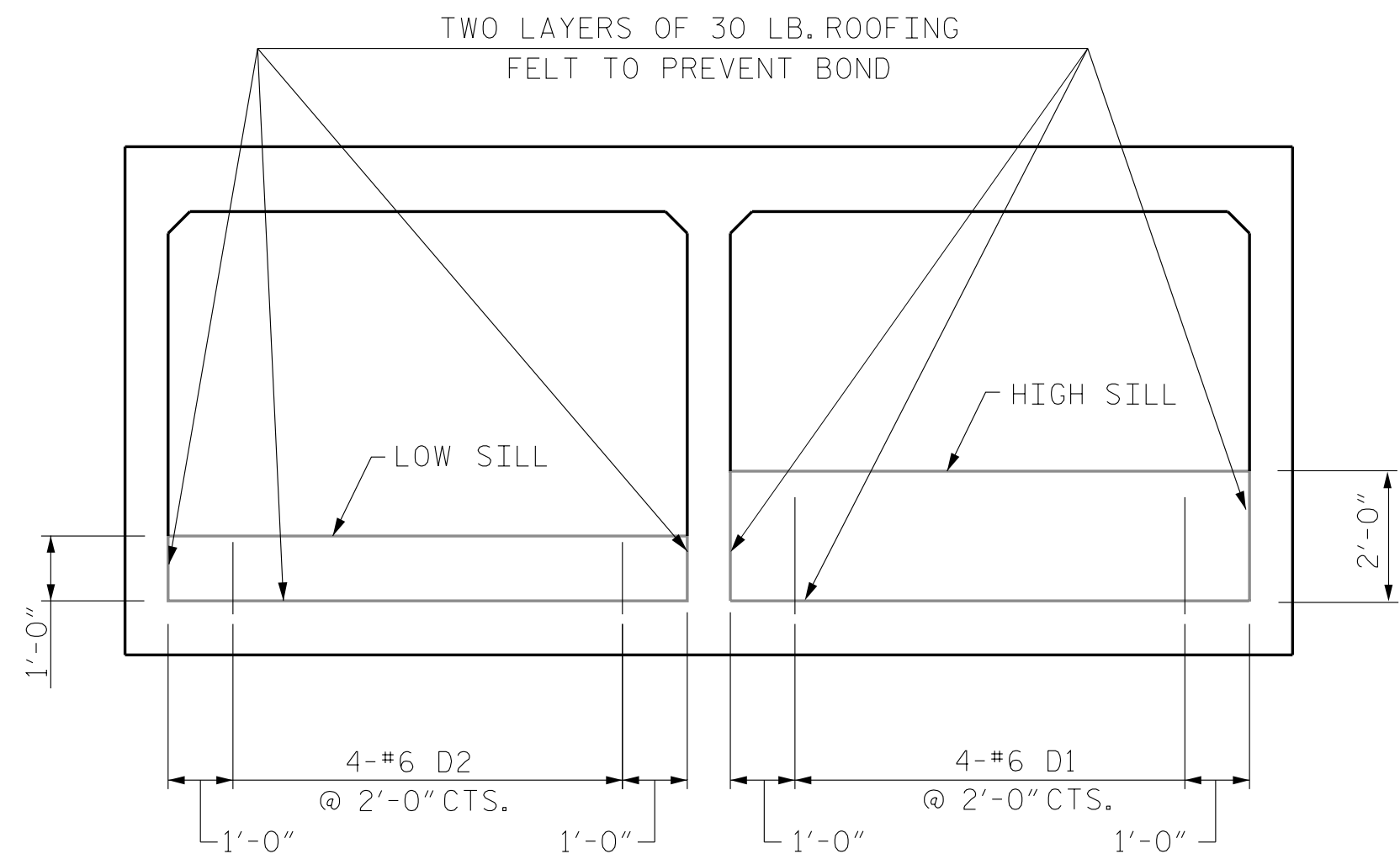
INLET CHANNEL EXCAVATION DETAIL

(LOOKING UPSTREAM)



OUTLET CHANNEL EXCAVATION DETAIL

(LOOKING DOWNSTREAM)



END ELEVATION

(LOOKING UPSTREAM)

**V&M**  
**Vaughn & Melton**  
 Consulting Engineers  
 Charlotte, North Carolina  
 704-357-0488  
 Copyright © 2006 Vaughn & Melton, Inc. All Rights Reserved.

- Tri-Cities, TN 423-467-8401
- Knoxville, TN 865-546-5800
- Spartanburg, SC 864-574-4775
- Charleston, SC 843-974-5650
- Middlesboro, KY 606-248-6600
- Atlanta, GA 770-627-3509
- Asheville, NC 828-828-2796
- Boone, NC 828-355-9933

Designed By  
 Hardip Willis  
 PE  
 4/24/2015

PROJECT NO. R-3622B  
CHEROKEE COUNTY  
 STATION: 96+77.46 -L-

STATE OF NORTH CAROLINA  
 DEPARTMENT OF TRANSPORTATION  
 RALEIGH  
 DOUBLE 8' X 6'  
 CONCRETE BOX CULVERT  
 45° SKEW

DWN. BY: RWL DATE: MAR 2015  
 CHKD. BY: HLW DATE: MAR 2015  
 DES. EGR. OF RECORD: CBC DATE: MAR 2015

REVISIONS						SHEET NO. S-8
NO.	BY:	DATE:	NO.	BY:	DATE:	
1			3			TOTAL SHEETS 17
2			4			