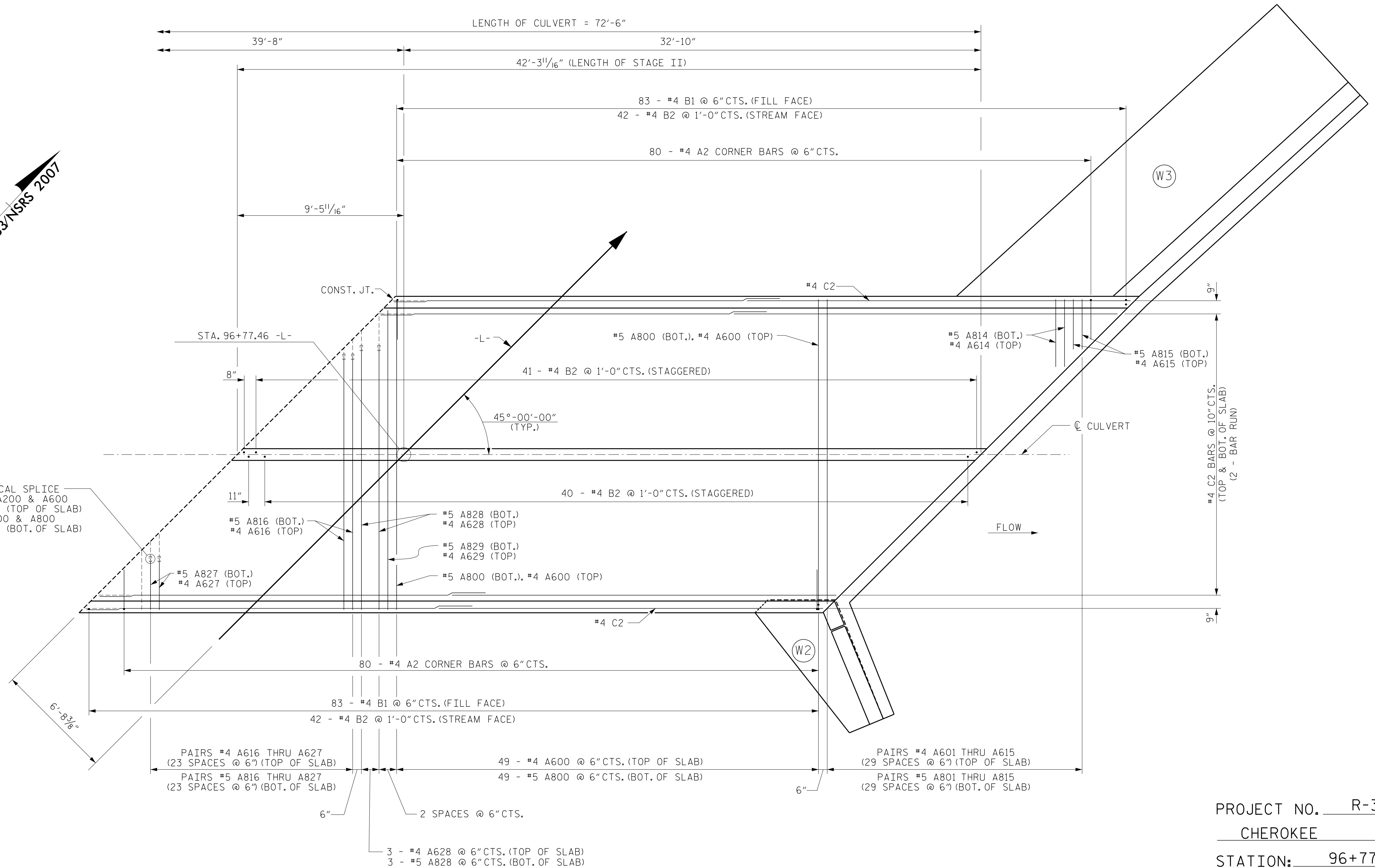


NAD 83/NSRS 2007

MECHANICAL SPLICE
BETWEEN A200 & A600
SERIES BARS (TOP OF SLAB)
AND A400 & A800
SERIES BARS (BOT. OF SLAB)



FLOOR SLAB PLAN

(STAGE II)
(SEE TRAFFIC CONTROL PLANS FOR STAGING NOTES)

PROJECT NO. R-3622B
CHEROKEE COUNTY
 STATION: 96+77.46 -L-

V&M
Vaughn & Melton
 Consulting Engineers
 Charlotte, North Carolina
 704-357-0488

Tri-Cities, TN 423-467-8401
 Knoxville, TN 865-546-5800
 Spartanburg, SC 864-574-4775
 Charleston, SC 843-974-5650
 Middlesboro, KY 606-248-6600
 Asheville, NC 828-828-2796
 Boone, NC 828-355-9933
 Atlanta, GA 770-627-3509

Copyright © 2006 Vaughn & Melton, Inc. All Rights Reserved

STATE OF NORTH CAROLINA
 DEPARTMENT OF TRANSPORTATION
 RALEIGH

DOUBLE 8' X 6'
 CONCRETE BOX CULVERT
 45° SKEW

DESIGNED BY
Hardy L. Willis
 4/24/2015

DWN. BY: RWV DATE: MAR 2015
 CHKD. BY: HLW DATE: MAR 2015
 DES. EGR. OF RECORD: CBC DATE: MAR 2015

REVISIONS						SHEET NO.	
NO.	BY:	DATE:	NO.	BY:	DATE:	S-6	
1			3			TOTAL SHEETS	
2			4			17	