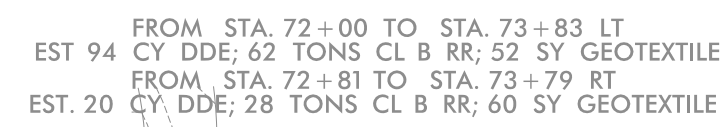
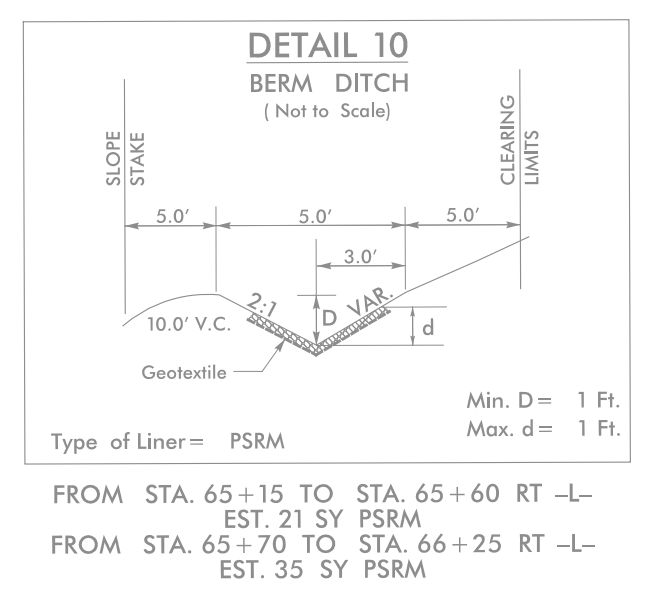
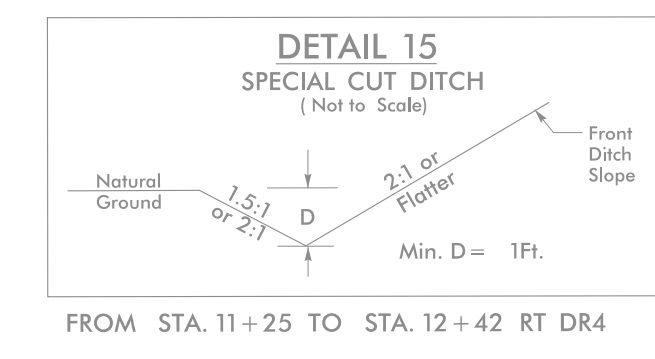
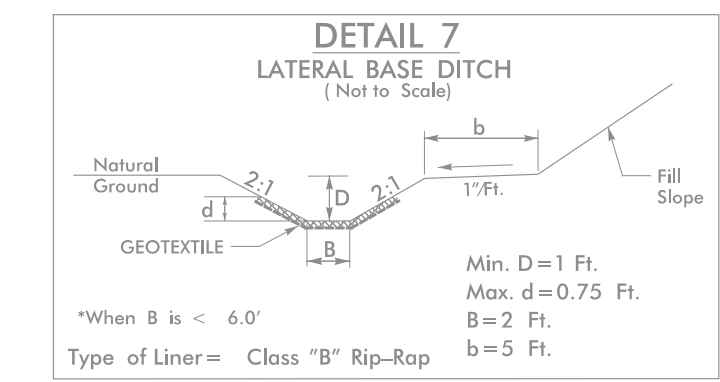
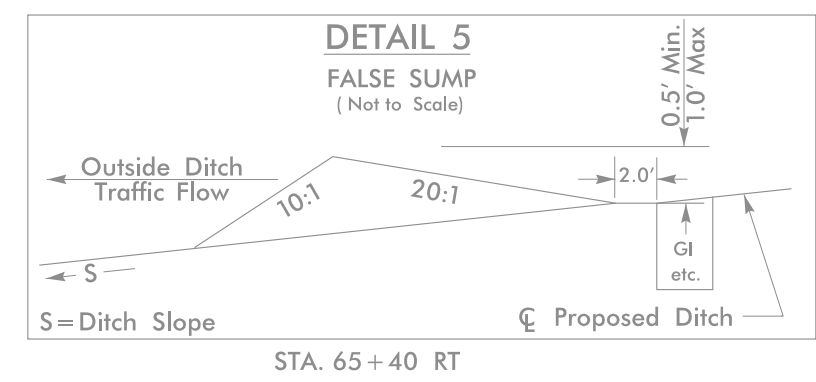
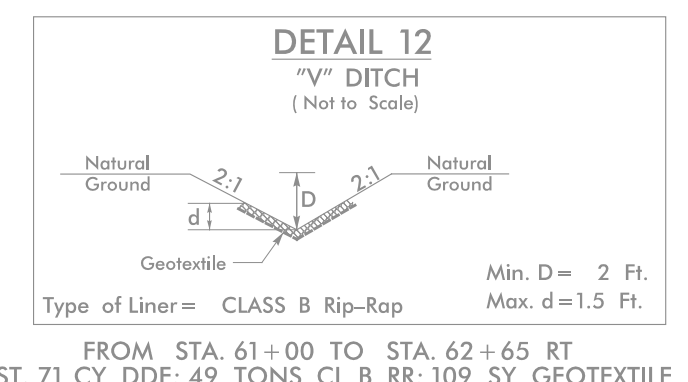


CLEARING AND GRUBBING
EROSION CONTROL FOR
CONSTRUCTION SHEET 8

NOTE:
PLACE TEMPORARY ROCK SEDIMENT DAMS TYPE - B
AND TEMPORARY ROCK SILT CHECKS TYPE - A AT
DRAINAGE OUTLETS.

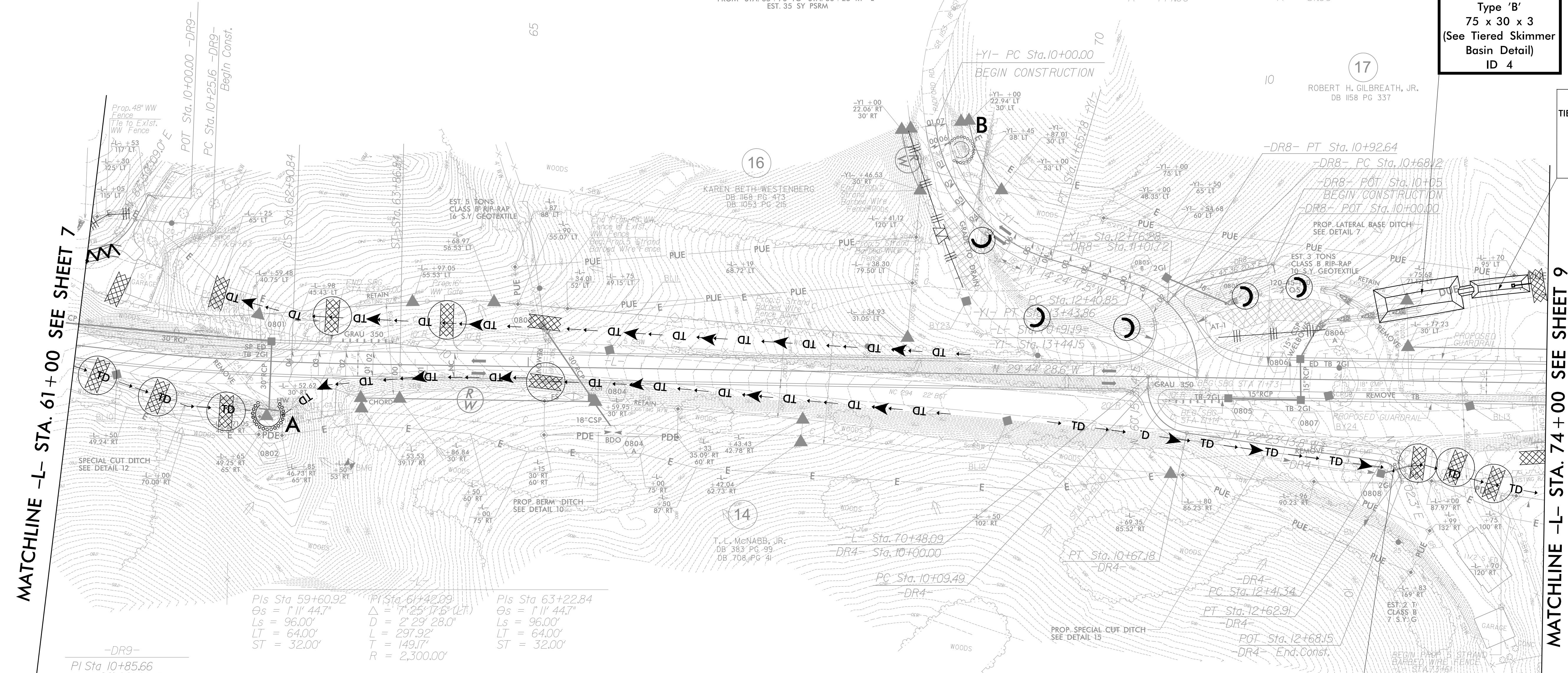
Modified Silt Basin
Type 'B'
75 x 30 x 3
(See Tiered Skimmer
Basin Detail)
ID 4

50 X 15 X 3
TIERED SKIMMER
1.5 inch Skimmer
with 0.625 inch
Orifice Diameter
12 ft. weir
ID 5.



PI Sta 10+93.44
Δ = 65' 57" 36.5" (LT)
D = 39' 47" 19.4"
L = 165.78'
T = 93.44'
R = 144.00'

PI Sta 12+93.44
Δ = 66' 39" 05.0" (RT)
D = 70' 44" 07.9"
L = 94.23'
T = 53.26'
R = 81.00'



-DR9-	-DR4-	-DR8-
PI Sta 10+85.66 Δ = 90' 28" 09.5" (RT) D = 95' 29" 34.7" L = 94.74' T = 60.49' R = 60.00'	PI Sta 59+60.92 Δs = 1' 11" 44.7" Ls = 96.00' LT = 64.00' ST = 32.00'	PI Sta 61+42.09 Δ = 7' 25" 17.6" (LT) D = 2' 29" 28.0" L = 297.92' T = 149.17' R = 2,300.00'
PI Sta 10+44.66 Δ = 82' 38" 45.3" (LT) D = 143' 14" 22.0" L = 57.70' T = 35.17' R = 40.00'	PI Sta 12+53.31 Δ = 61' 48" 16.1" (RT) D = 286' 28" 44.0" L = 21.57' T = 11.97' R = 20.00'	PI Sta 10+80.78 Δ = 35' 07" 06.9" (LT) D = 143' 14" 22.0" L = 24.52' T = 12.66' R = 40.00'

Sta. = 72+81 TO
73+79 -L- LT
Q_s = 6.1 cfs
V_s = 6.4 cfs
d = 0.4 ft.
s = 0.109 ft./ft.
n = 0.04
DA = 3.3 ac.

NOTE: INSTALL DRIVEWAY PIPE
DURING C&G

EXIST PAVING TO BE REMOVED

SEE SHEET 22 FOR -YI- PROFILE
SEE SHEET 23 FOR -DR4- PROFILE
SEE SHEET 17 FOR -L- PROFILE

8/17/99

1. ADDED PUE (3-14-2013)

DATE TIME \$\$\$\$\$\$
BY \$\$\$\$\$\$
CHECKED \$\$\$\$\$\$
DATE \$\$\$\$\$\$