
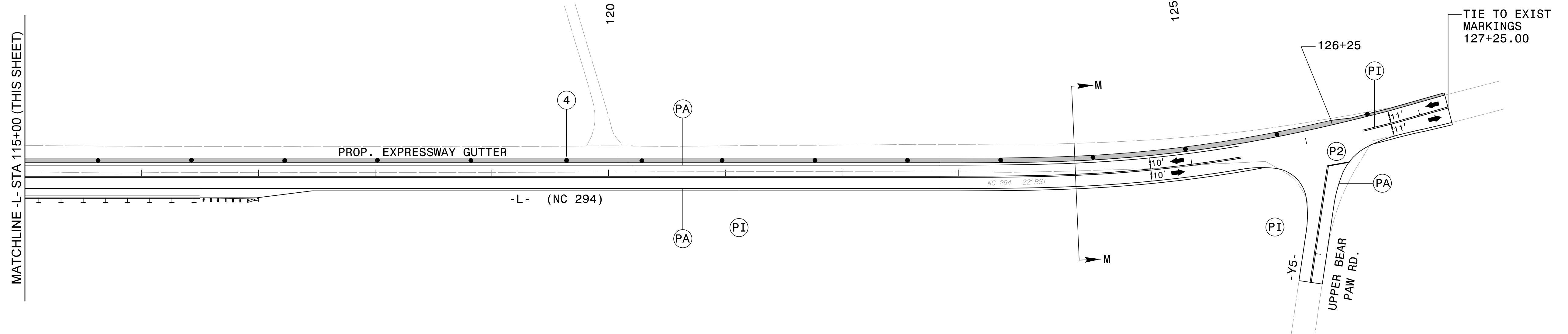
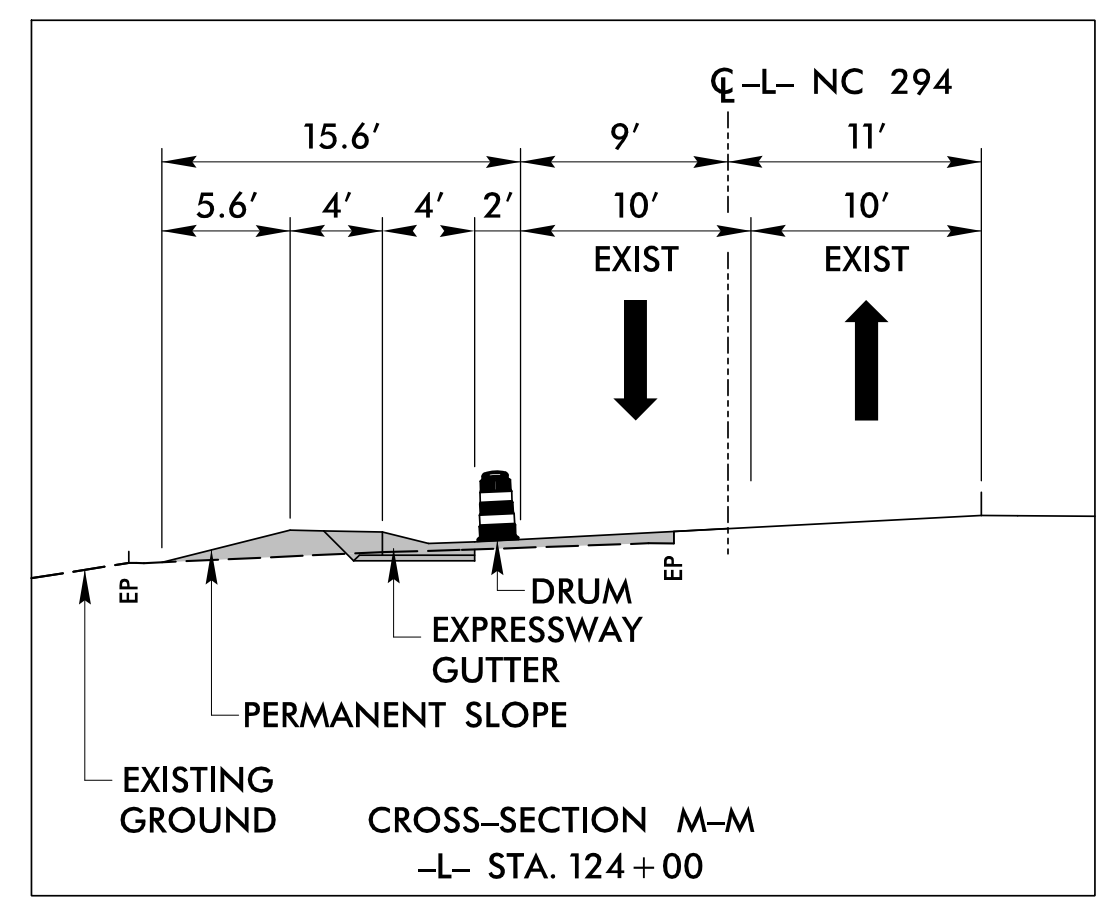
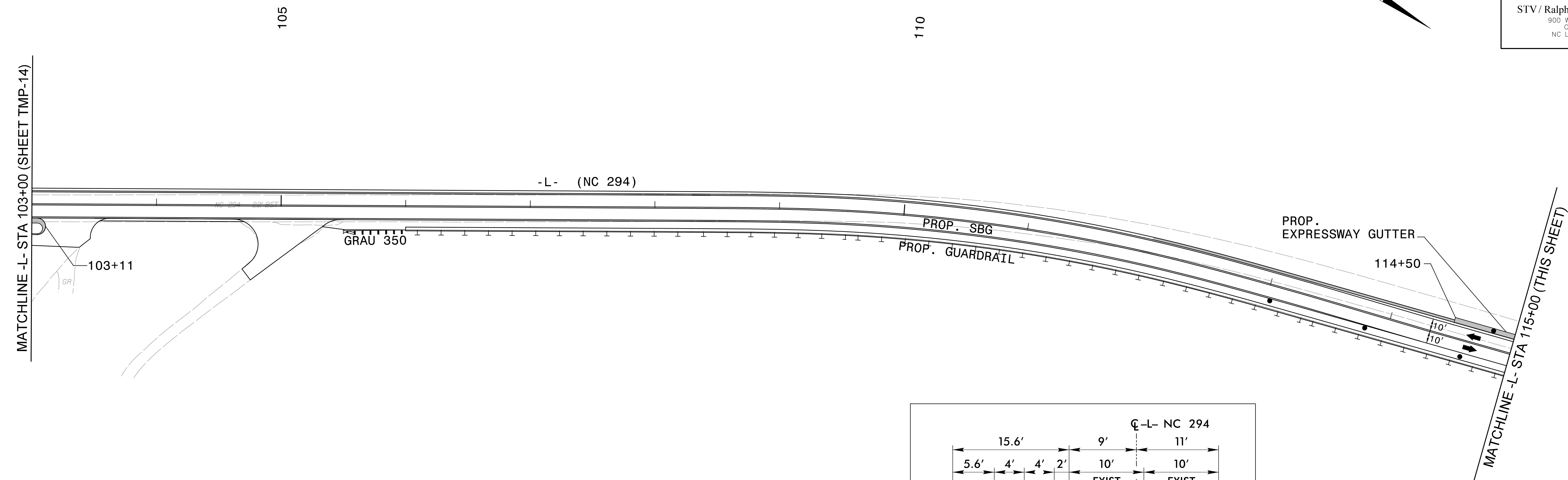


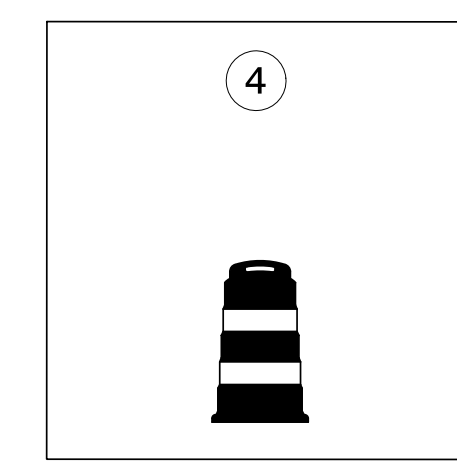
PROJ. REFERENCE NO.	SHEET NO.
R-3622B	TMP-15

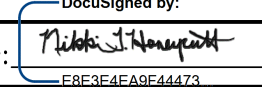

 STV/Ralph Whitehead Associates, Inc.
 900 West Trade St., Ste. 715
 Charlotte, NC 28202
 NC License Number F-0991




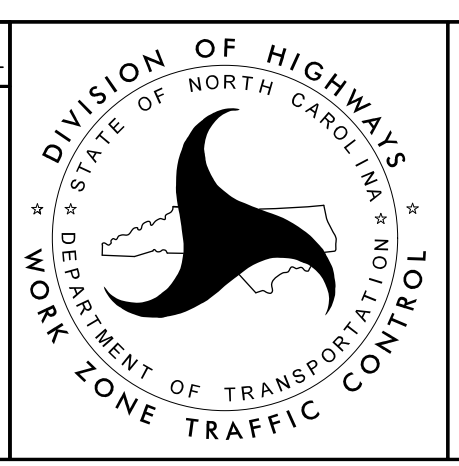
* NOTE: ALL STATIONS AND DIMENSIONS SHOWN +/-

SCALE 1" = 50'



APPROVED:  DATE: 4/10/2015


 ERIC J. HOUSH
 ENGINEER
 NORTH CAROLINA
 SEAL 039234
 STATE OF NORTH CAROLINA



**TEMPORARY TRAFFIC CONTROL
PHASE II DETAIL**

4/9/2015 R:\TrafficControl\CPAR3622B_TC_TMP_15.dgn