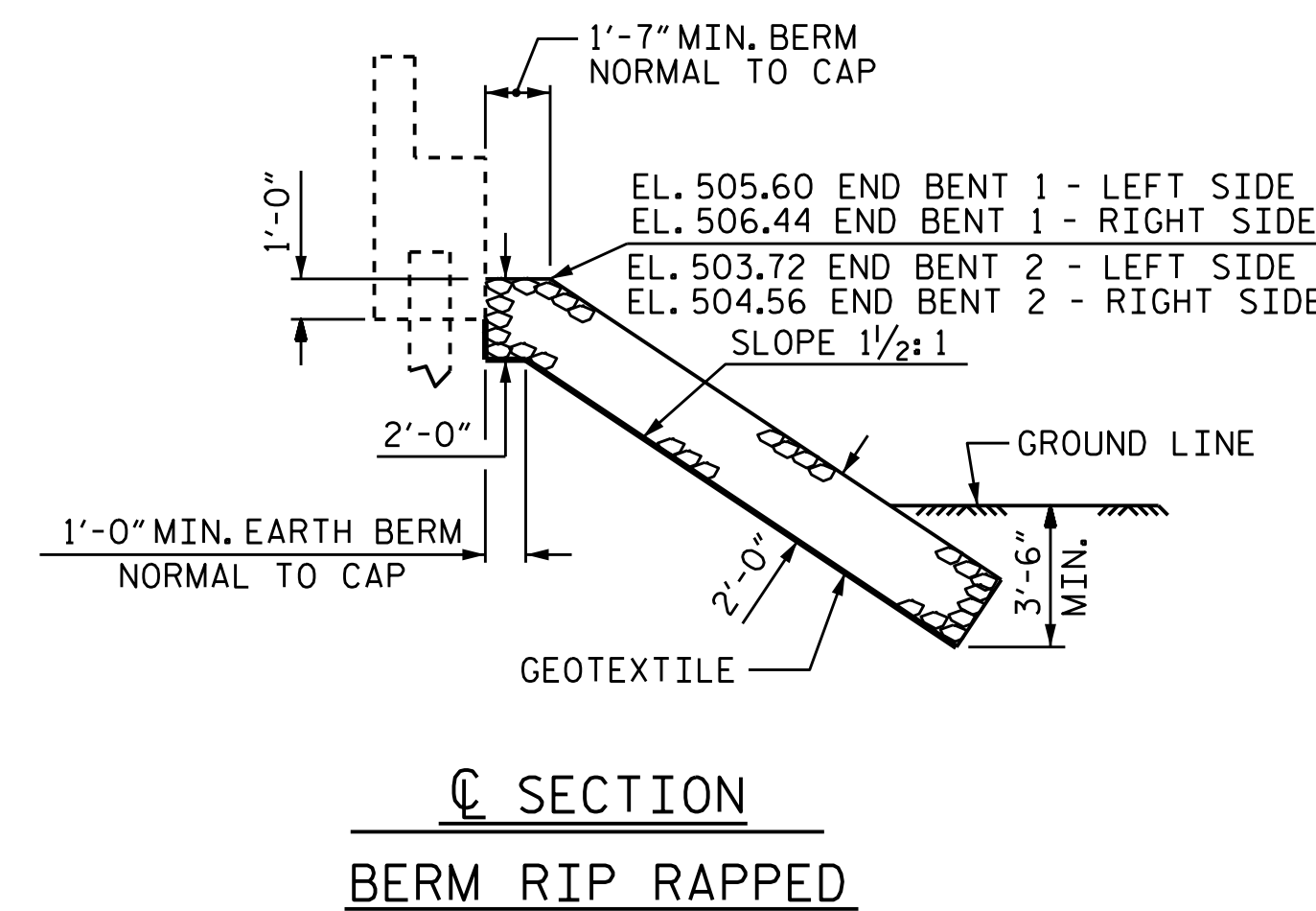
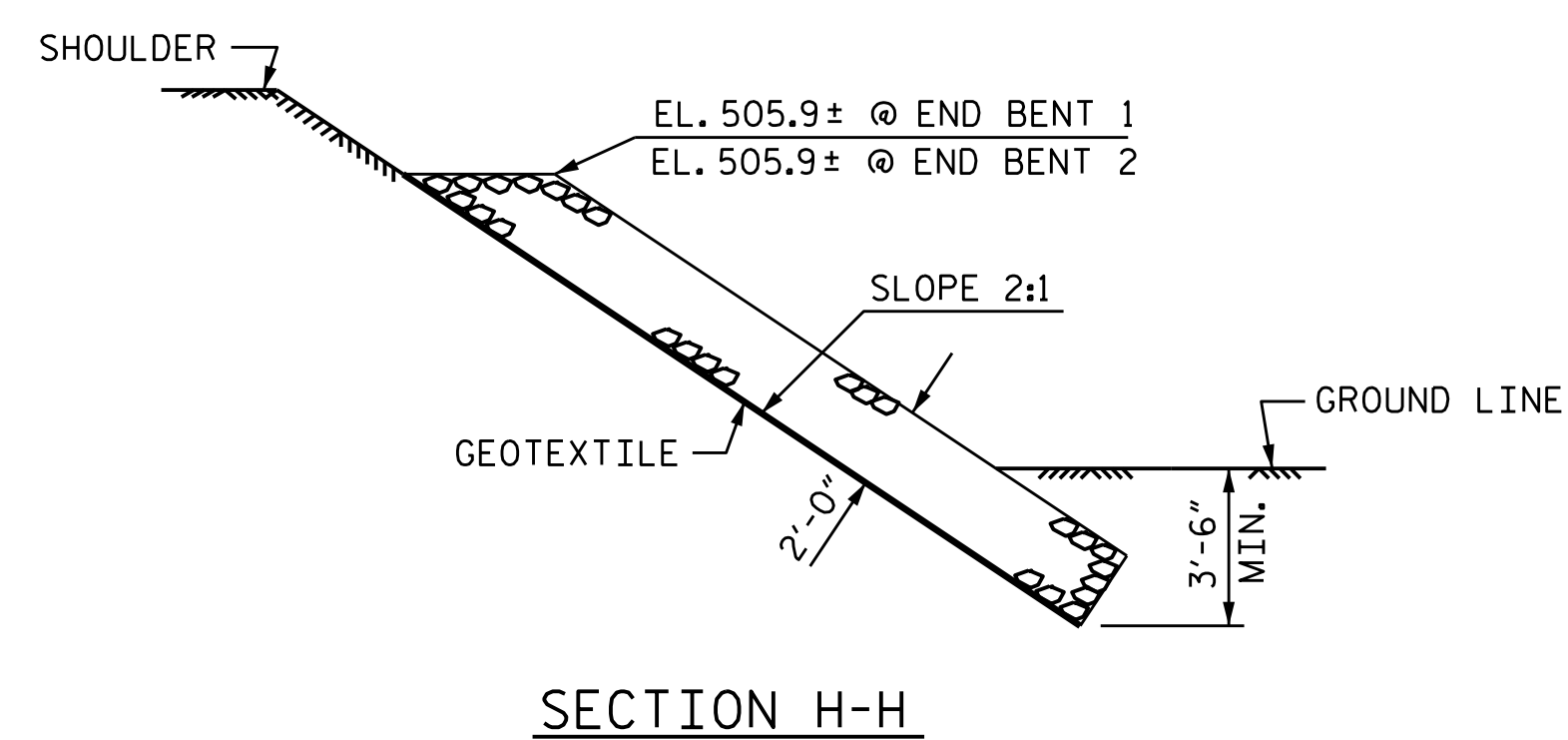
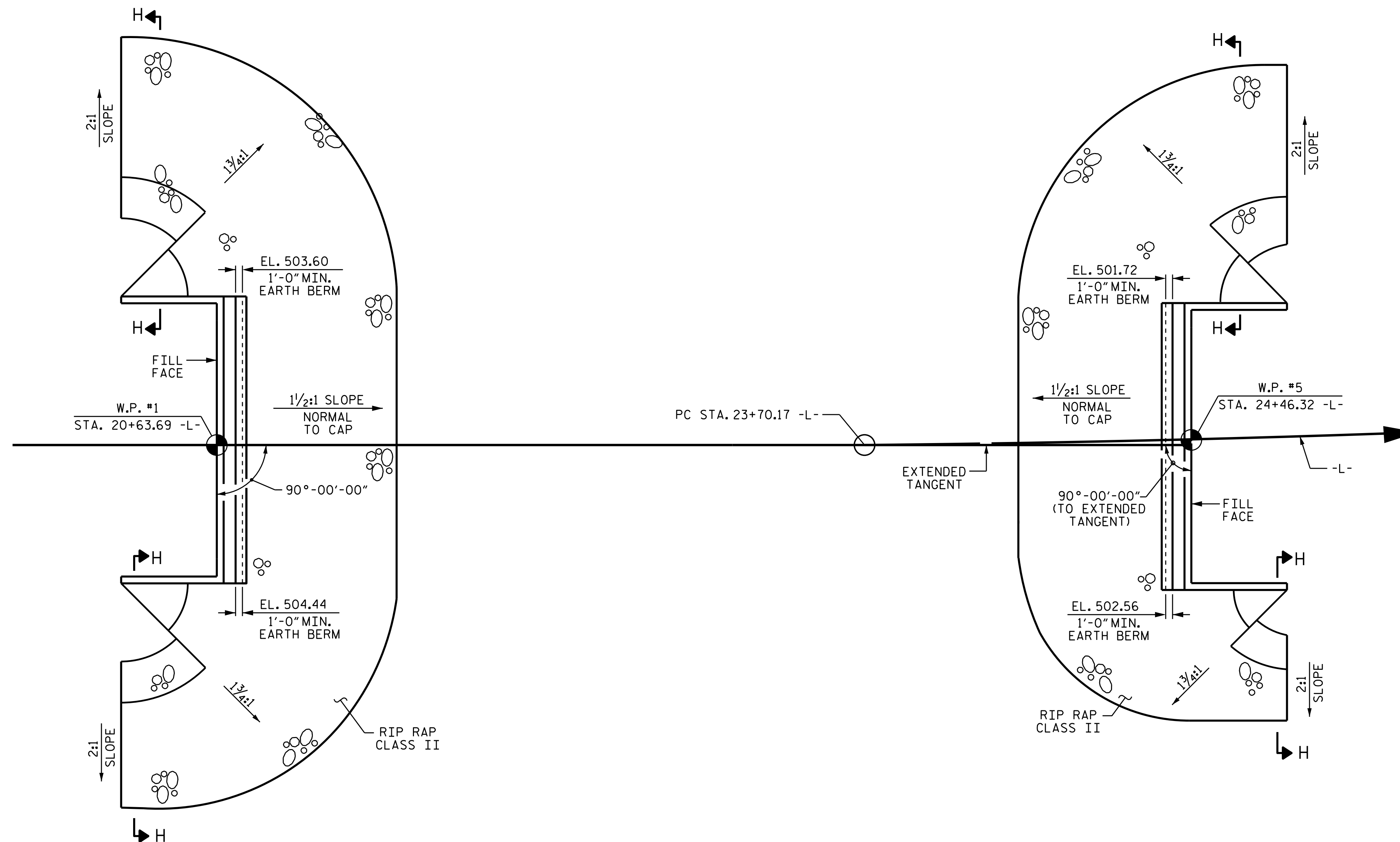


ESTIMATED QUANTITIES

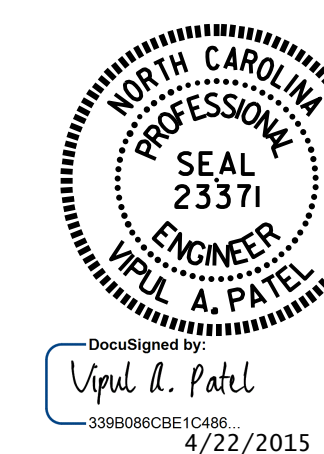
BRIDGE @ STA. 22+55.00 -L-	RIP RAP CLASS II (2'-0" THICK)	GEOTEXTILE FOR DRAINAGE
	TONS	SQUARE YARDS
END BENT 1	455	505
END BENT 2	400	445
TOTAL	855	950



PROJECT NO. B-4972
CABARRUS COUNTY
 STATION: 22+55.00 -L-

STATE OF NORTH CAROLINA
 DEPARTMENT OF TRANSPORTATION
 RALEIGH
 STANDARD
 —RIP RAP DETAILS—

REVISIONS						SHEET NO.
NO.	BY:	DATE:	NO.	BY:	DATE:	TOTAL SHEETS
1			3			31
2			4			31



ASSEMBLED BY : N.D.AIUTO DATE : 7/10/14
 CHECKED BY : M.E.GILES DATE : 1/7/15
 DRAWN BY : FCJ 2/88 REV. 8/16/99 RWW/LES
 CHECKED BY : ARB 8/88 REV. 10/17/00 RWW/LES
 REV. 5/1/06R TLA/GM