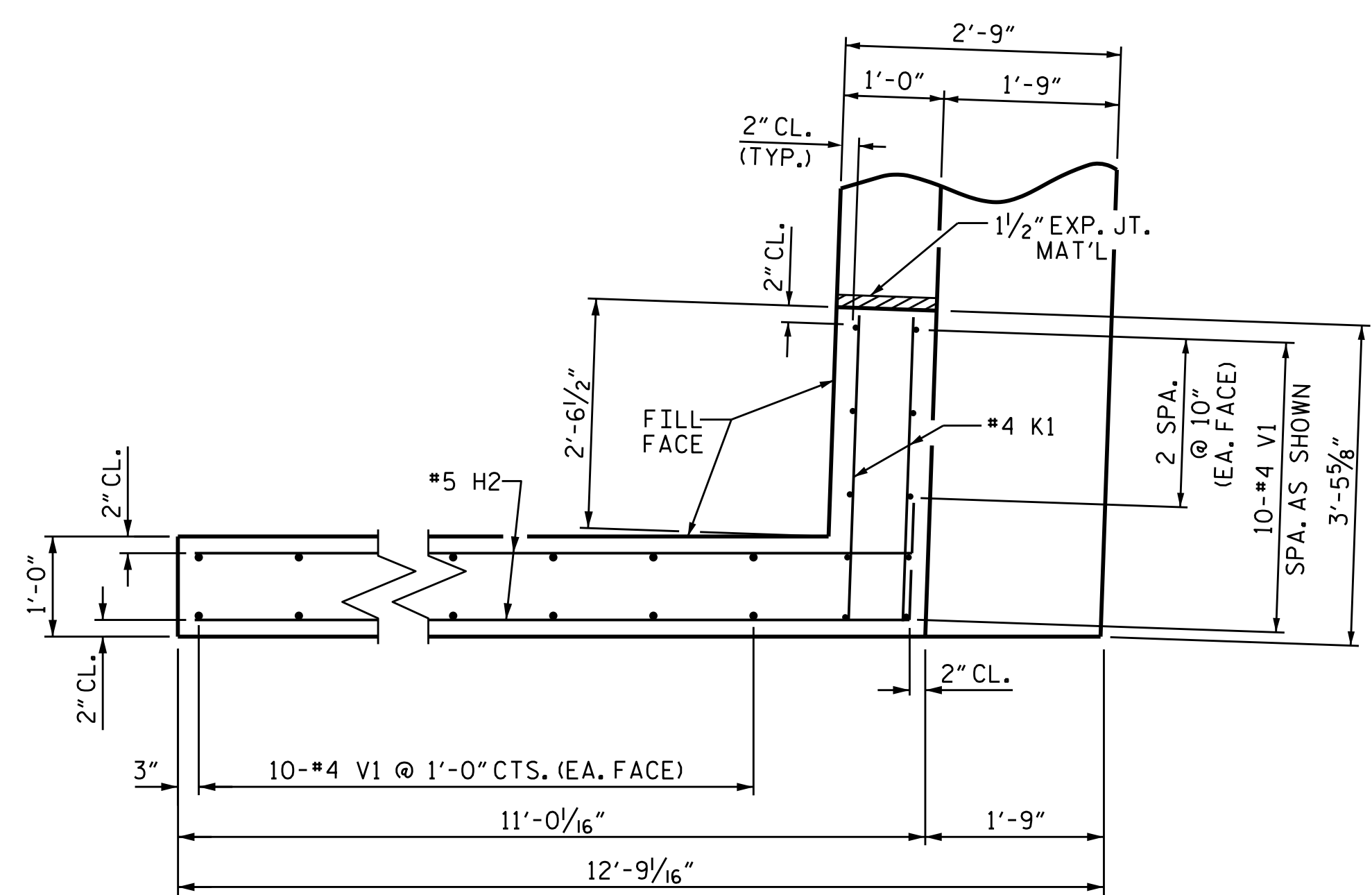
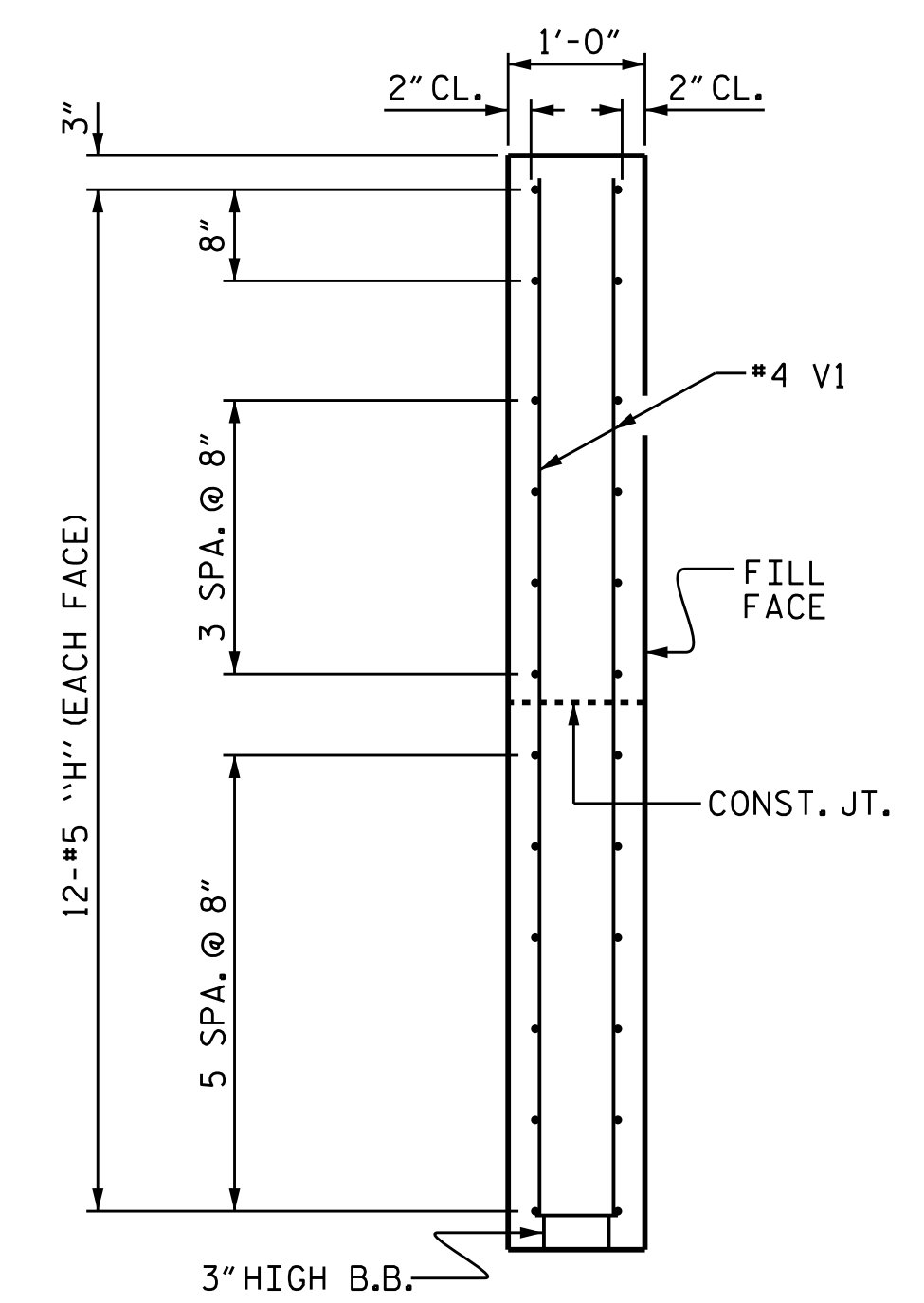


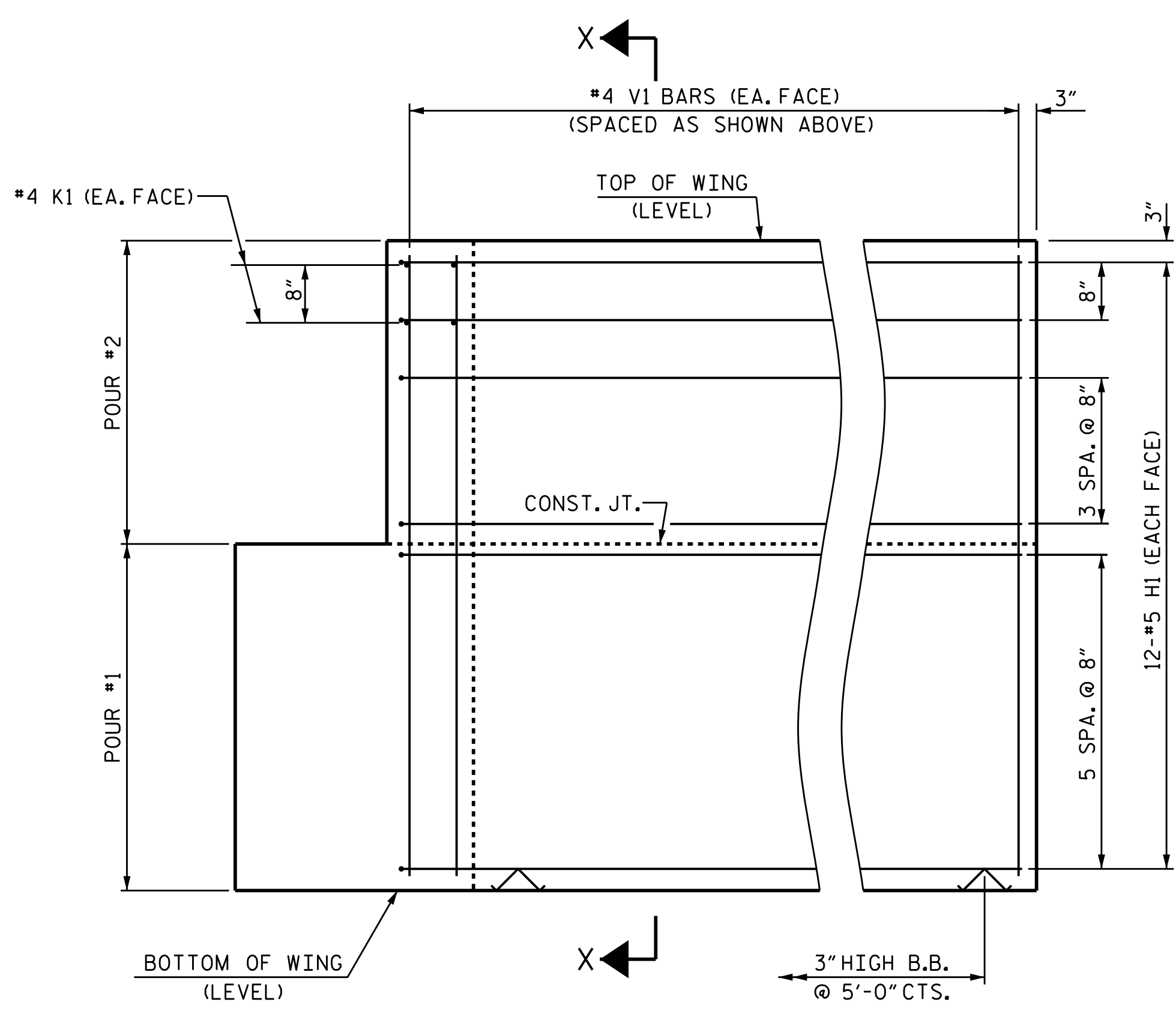
PLAN OF WING (W1)



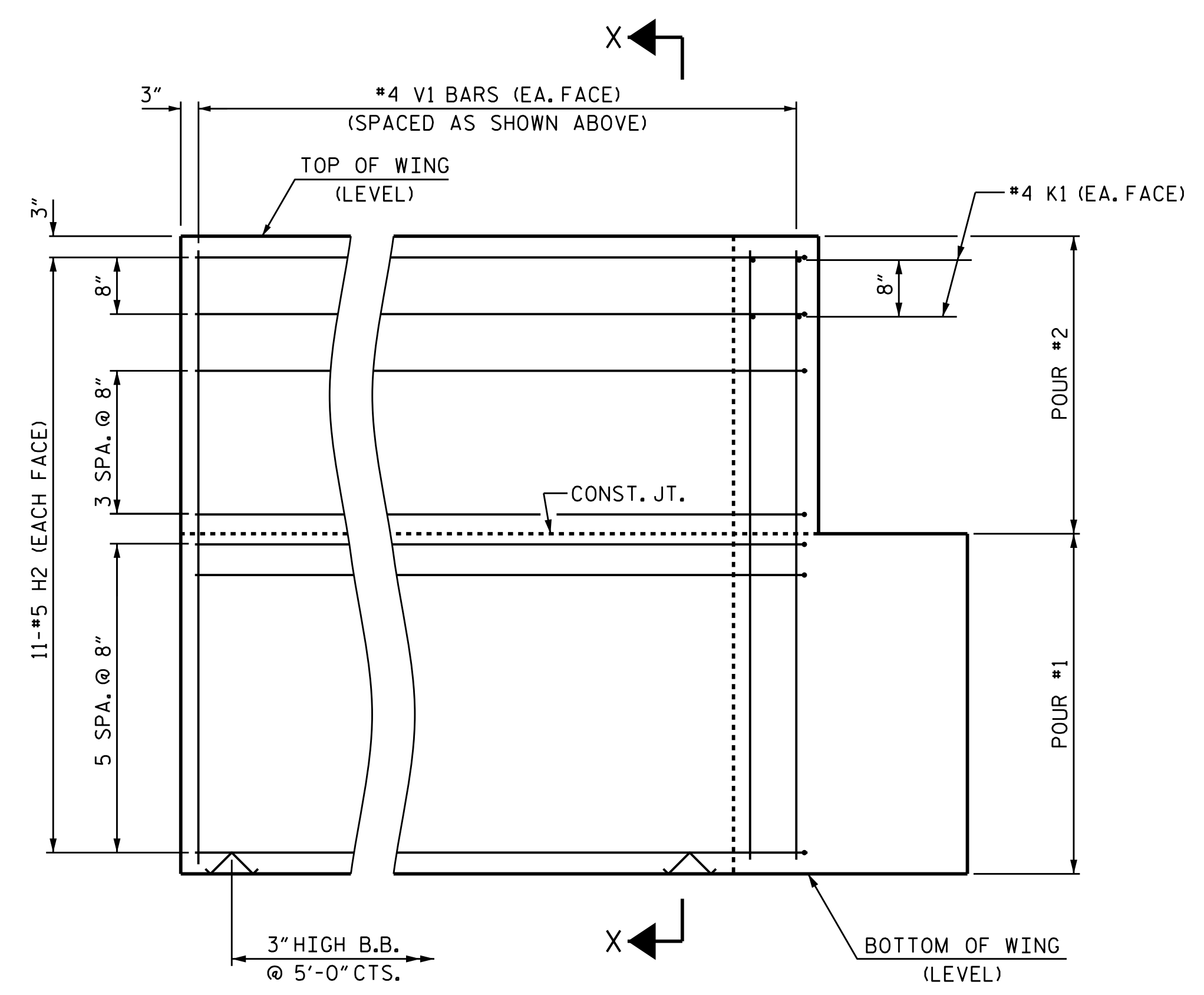
PLAN OF WING (W2)



SECTION X-X



ELEVATION OF WING (W1)



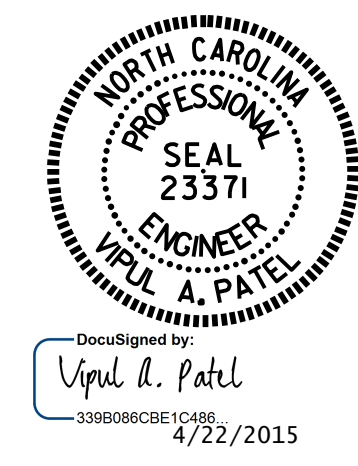
ELEVATION OF WING (W2)

WING DETAILS

PROJECT NO. B-4972  
CABARRUS COUNTY  
 STATION: 22+55.00 -L-

SHEET 2 OF 3

STATE OF NORTH CAROLINA  
 DEPARTMENT OF TRANSPORTATION  
 RALEIGH  
 SUBSTRUCTURE  
 END BENT 2



ASSEMBLED BY : N.D. AIUTO DATE : 10/6/14  
 CHECKED BY : M.E. GILES DATE : 12/17/14  
 DESIGN ENGINEER OF RECORD: J.P. MCCARTHA DATE : 12/17/14

21-APR-2015 09:25  
 R:\Structures\Plans\B4972.SD.E2.01.dgn  
 Isutton

REVISIONS						SHEET NO.
NO.	BY:	DATE:	NO.	BY:	DATE:	TOTAL SHEETS
1			3			31
2			4			