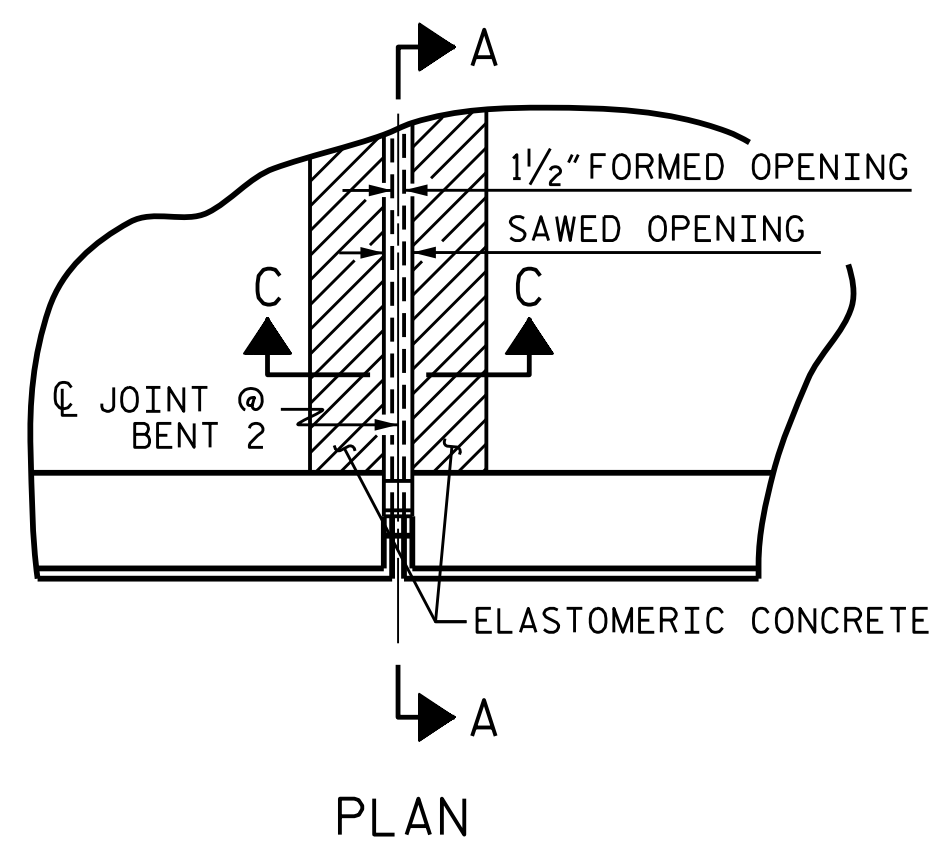


ELASTOMERIC BEARING DETAILS

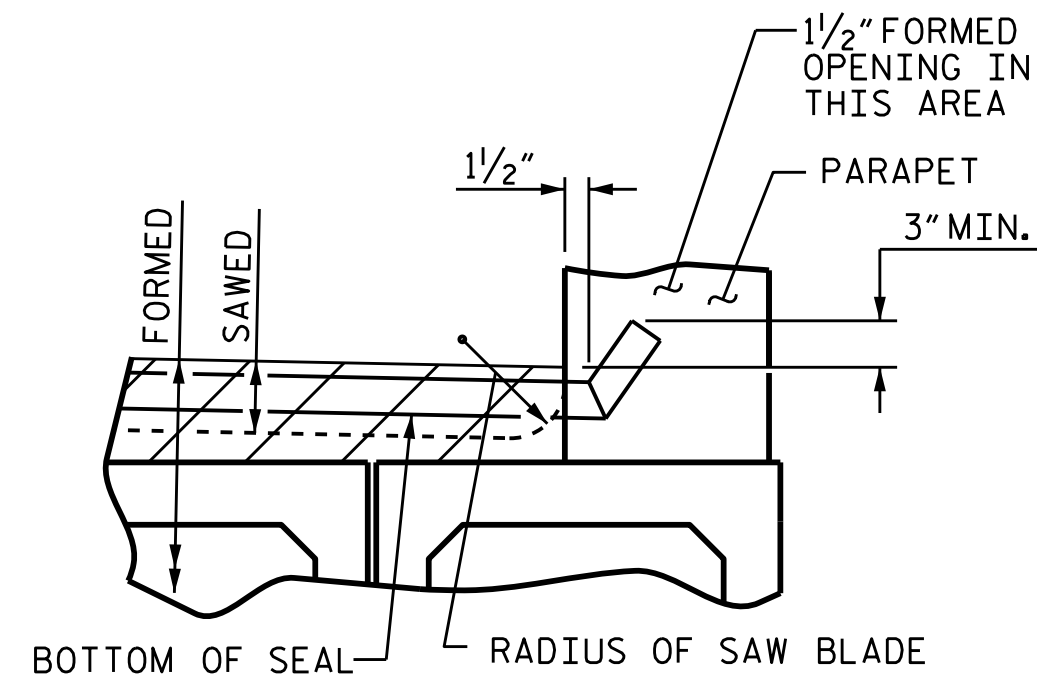
ELASTOMER IN ALL BEARINGS SHALL BE 60 DUROMETER HARDNESS.

ELASTOMERIC CONCRETE	
	ELASTOMERIC CONCRETE (CU. FT.) ▲
BENT 2	12.8
TOTAL	12.8

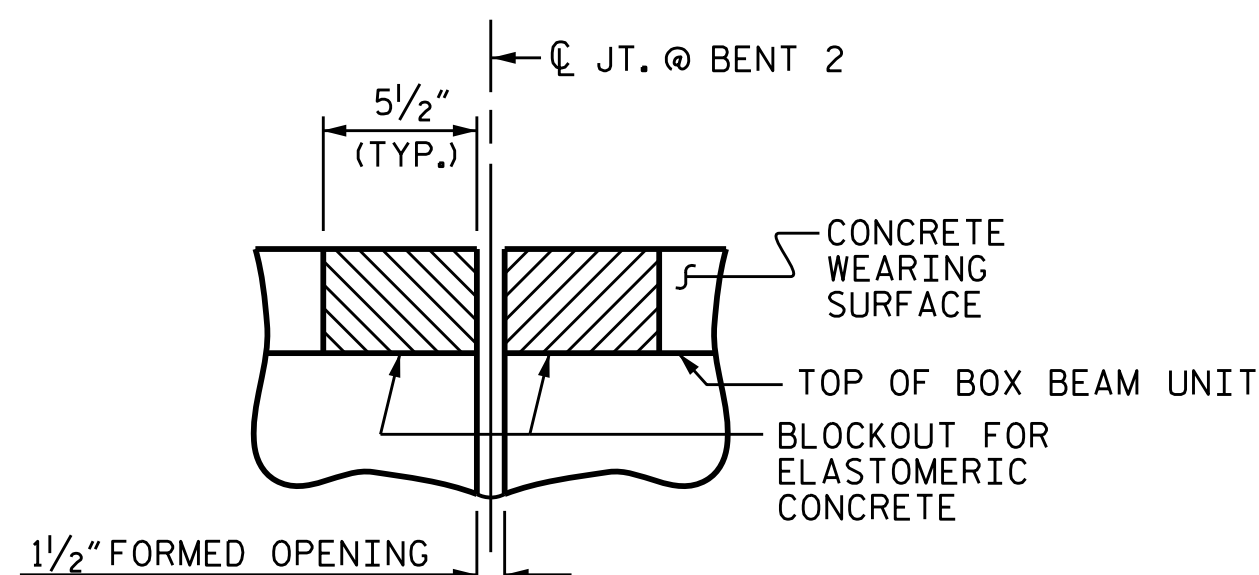
▲ BASED ON THE MINIMUM BLOCKOUT SHOWN.



PLAN

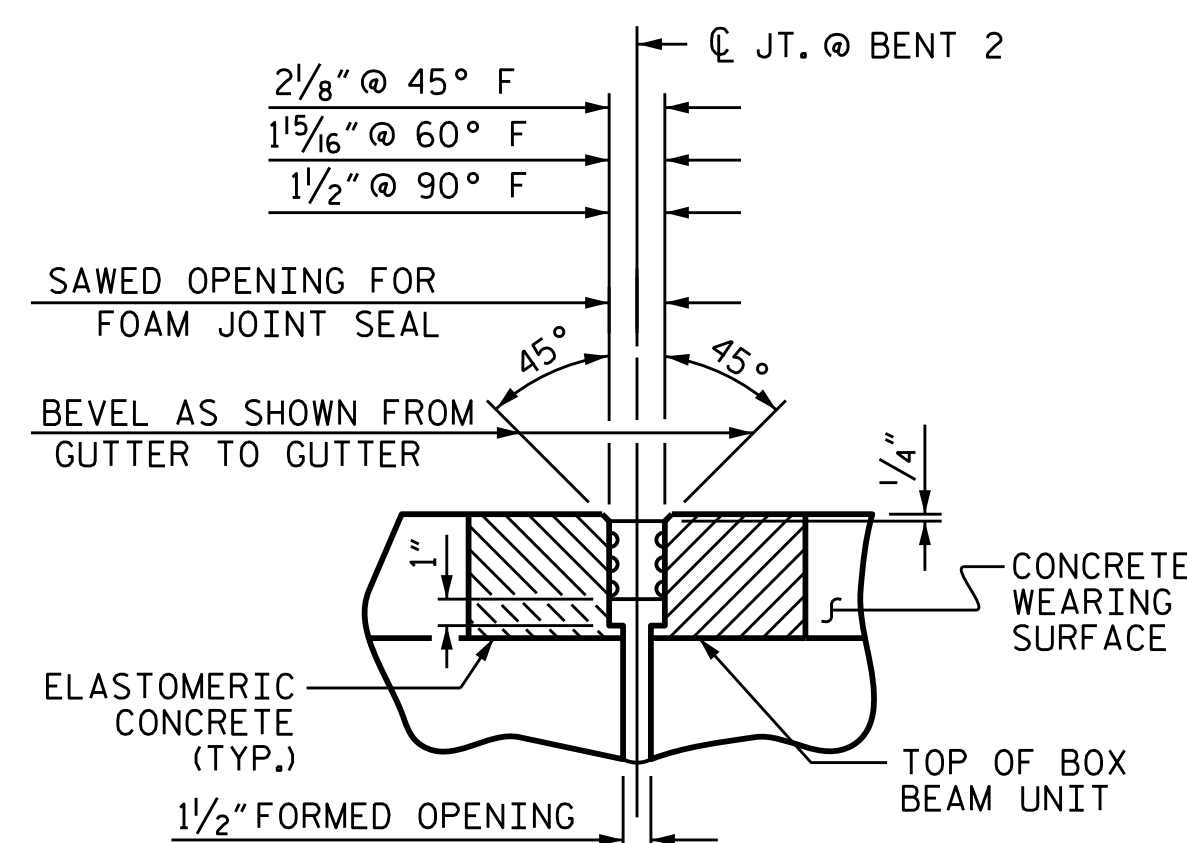


SECTION A-A



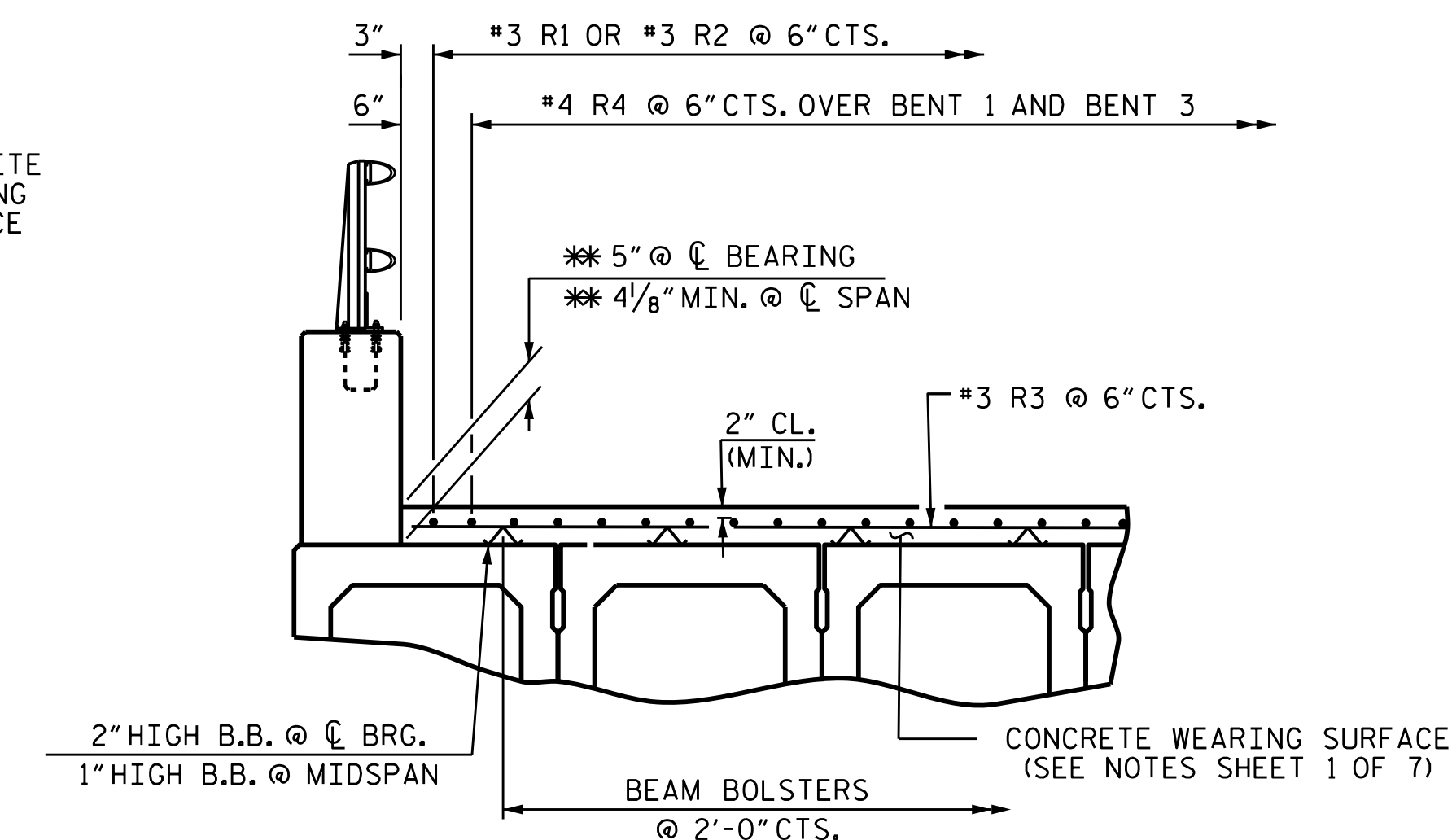
SECTION C-C

FOAM JOINT SEAL (PRE-SAWED ELASTOMERIC CONCRETE DIMENSIONS)



SECTION C-C

FOAM JOINT SEAL FOR BENT 2 (EXPANSION)

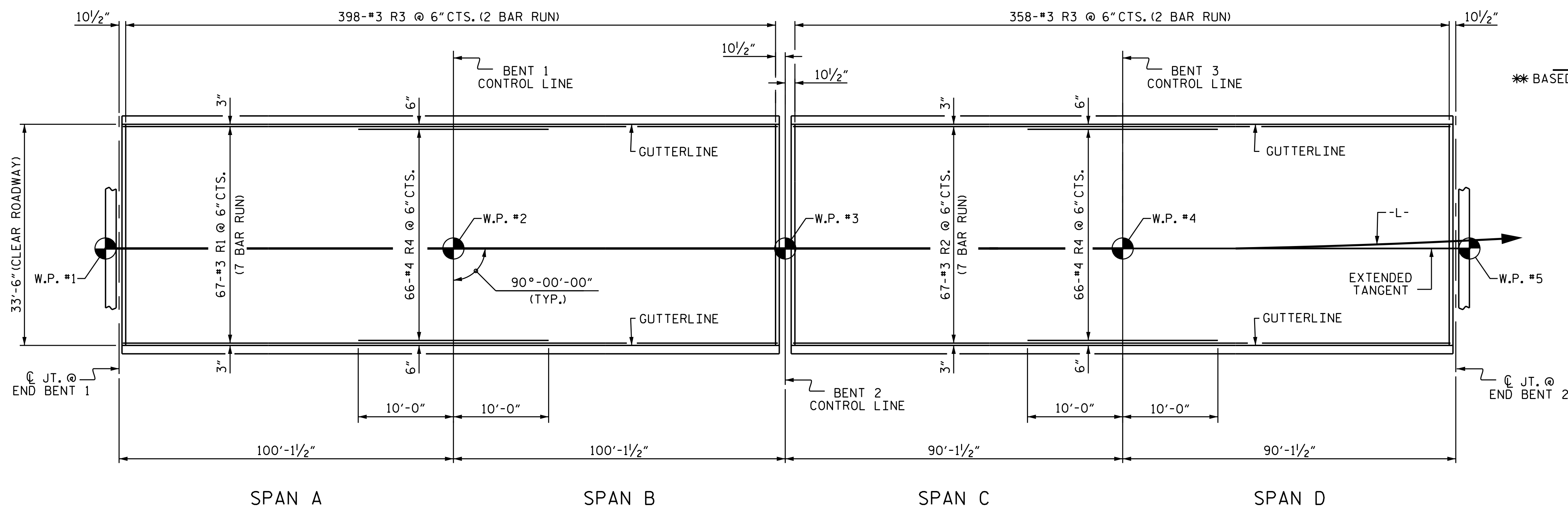


REINFORCING FOR CONCRETE WEARING SURFACE

** BASED ON PREDICTED FINAL CAMBER AND THEORETICAL GRADE LINE ELEVATIONS

JOINT SEAL DETAILS @ BENT 2

FOAM JOINT SEAL TO BE CUT, HEAT WELDED AND TURNED UP AS SHOWN.



PLAN VIEW

BILL OF MATERIAL FOR CONCRETE WEARING SURFACE

BAR	NO.	SIZE	TYPE	LENGTH	WEIGHT	
*R1	469	#3	STR	29'-6"	5202	
*R2	469	#3	STR	26'-8"	4703	
*R3	1512	#3	STR	17'-3"	9806	
*R4	132	#4	STR	20'-0"	1764	
*EPOXY COATED REINFORCING STEEL					LBS.	21,476
CONCRETE WEARING SURFACE					SO. FT.	12,677

GROOVING BRIDGE FLOORS

APPROACH SLABS	654	SO. FT.
BRIDGE DECK	11,522	SO. FT.
TOTAL	12,176	SO. FT.

SPLICE LENGTH CHART

BAR SIZE	EPOXY COATED
#3	1'-3"

PROJECT NO. B-4972
CABARRUS COUNTY
 STATION: 22+55.00 -L-

SHEET 7 OF 7



STATE OF NORTH CAROLINA
 DEPARTMENT OF TRANSPORTATION
 RALEIGH
 STANDARD
 3'-0" X 3'-3"
 PRESTRESSED CONCRETE
 BOX BEAM
 UNIT DETAILS

REVISIONS						SHEET NO.
NO.	BY:	DATE:	NO.	BY:	DATE:	S-11
1			3			TOTAL SHEETS
2			4			31

ASSEMBLED BY : T. H. CARROLL	DATE : 3/6/15	MAA/GM	DESIGN ENGINEER OF RECORD:
CHECKED BY : V. A. PATEL	DATE : 3/9/15	MAA/GM	V. A. PATEL
DRAWN BY : TLA 5/05	REV. 10/12	RWW/TMG	DATE : 3/9/15
CHECKED BY : GM 6/05	REV. 6/13		
	REV. 1/15		