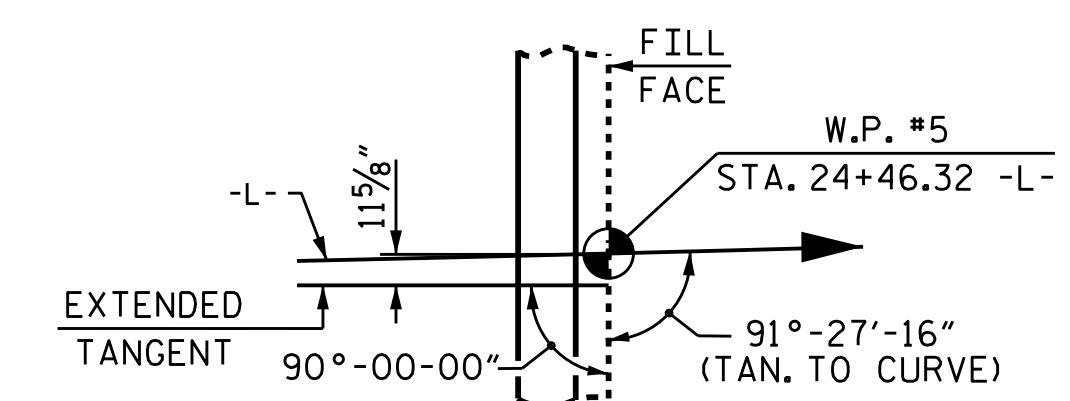
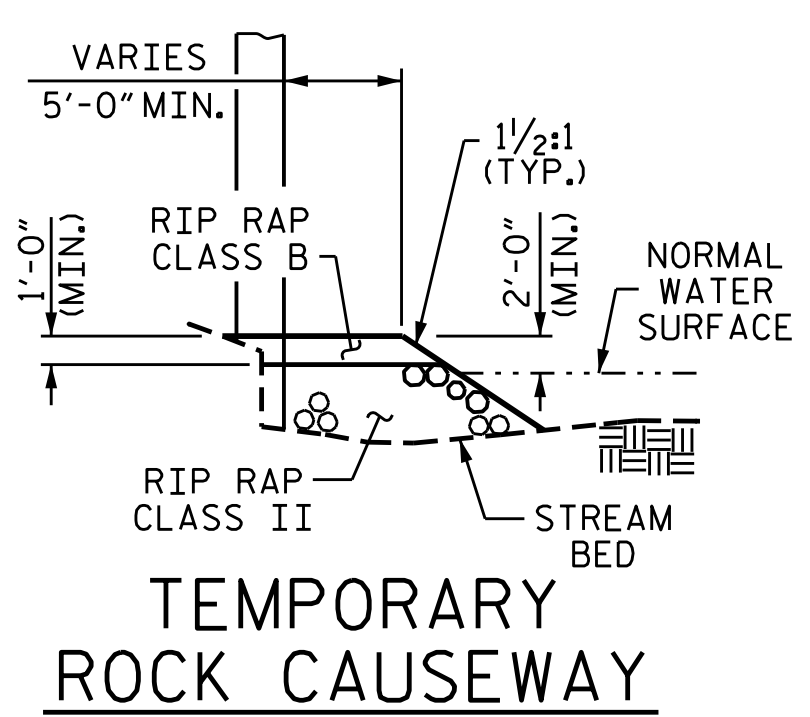
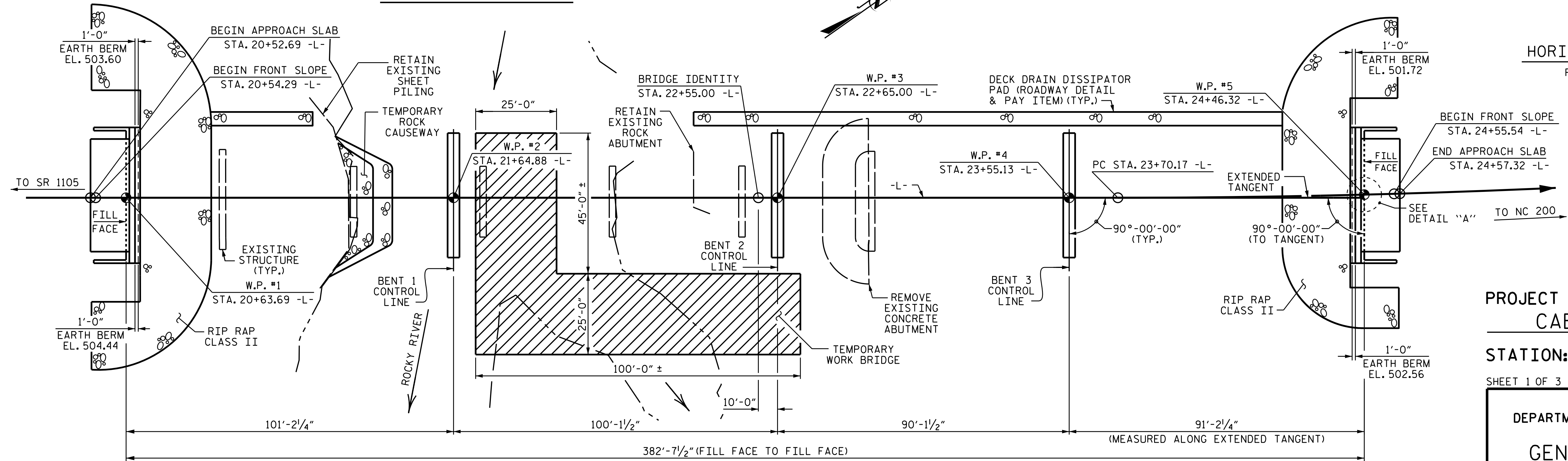


I HEREBY CERTIFY THESE PLANS ARE THE AS-BUILT PLANS



HORIZONTAL CURVE DATA

P.I. STA. =	25+06.16 -L-
Δ =	5°-11'-27.5" (L.T.)
D =	1°-54'-35.5"
L =	271.80'
T =	135.99'
R =	3000.00'



PLAN
 (PILES, COLUMNS, & DRILLED PIERS NOT SHOWN FOR CLARITY)

PROJECT NO. B-4972
 CABARRUS COUNTY
 STATION: 22+55.00 -L-
 SHEET 1 OF 3 REPLACES BRIDGE NO. 227

STATE OF NORTH CAROLINA
 DEPARTMENT OF TRANSPORTATION
 RALEIGH
GENERAL DRAWING
 FOR BRIDGE OVER ROCKY RIVER ON SR 1006 (MT. PLEASANT RD.) BETWEEN SR 1105 AND NC 200

DRAWN BY : N.D.AIUTO DATE : 11/18/14
 CHECKED BY : T.H.CARROLL DATE : 12/19/14
 DESIGN ENGINEER OF RECORD : J.P.MCARTHA DATE : 12/19/14

PROFESSIONAL ENGINEER SEAL
 LURA E. SUTTON
 21638
 4/21/2015

PROFESSIONAL ENGINEER SEAL
 VIJAY A. PATEL
 23371
 4/22/2015

REVISIONS				SHEET NO.	
NO.	BY:	DATE:	NO.	BY:	DATE:
1			3		
2			4		

TOTAL SHEETS: 31