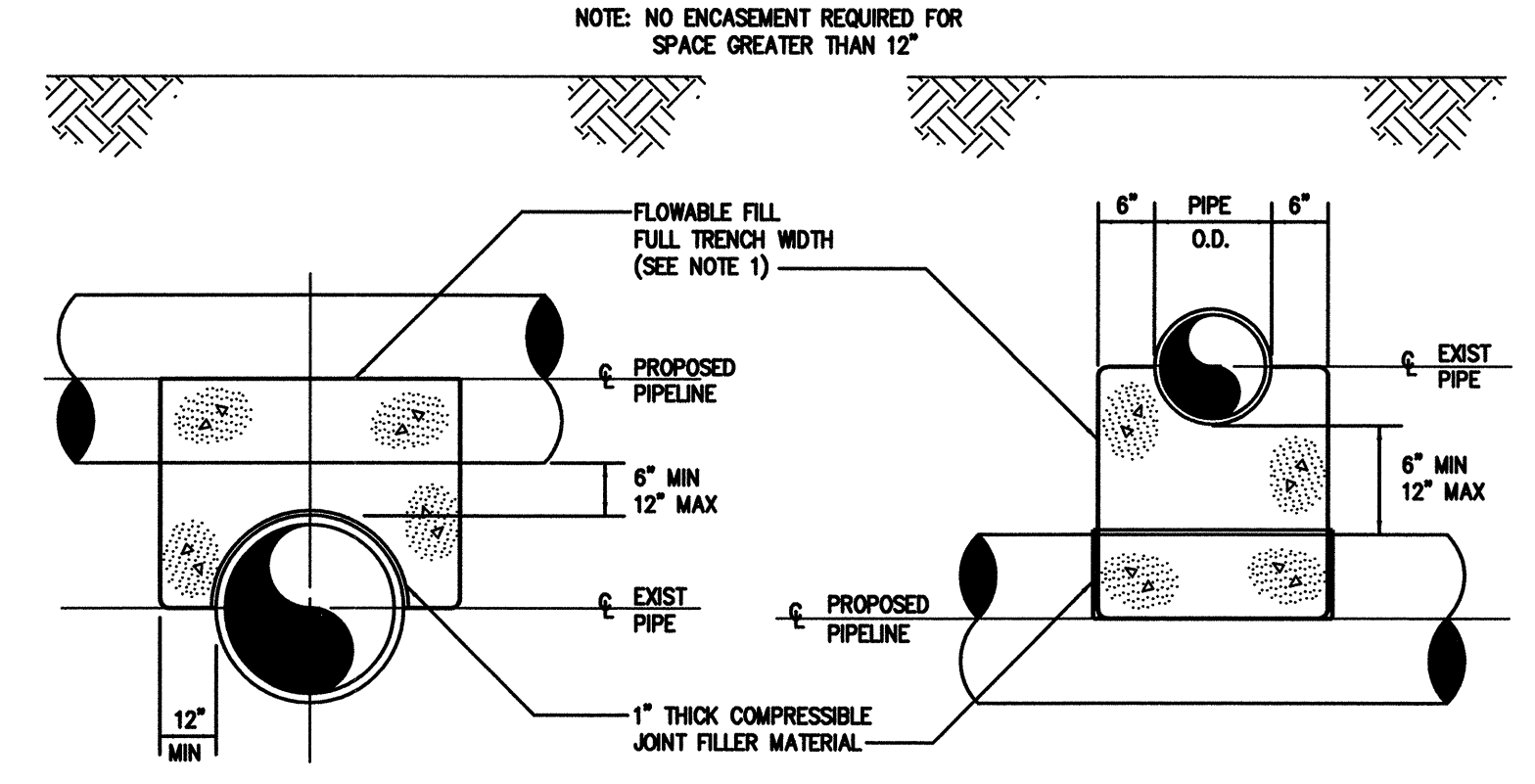
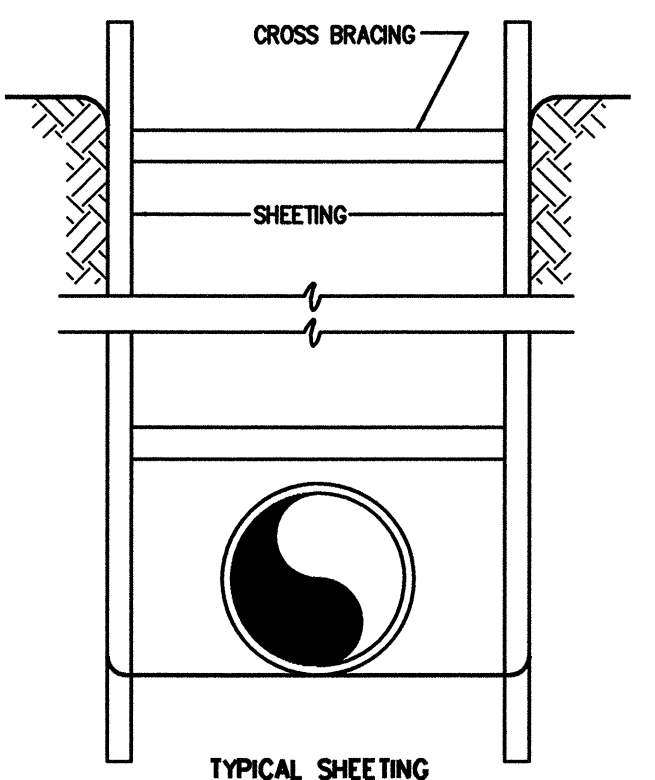


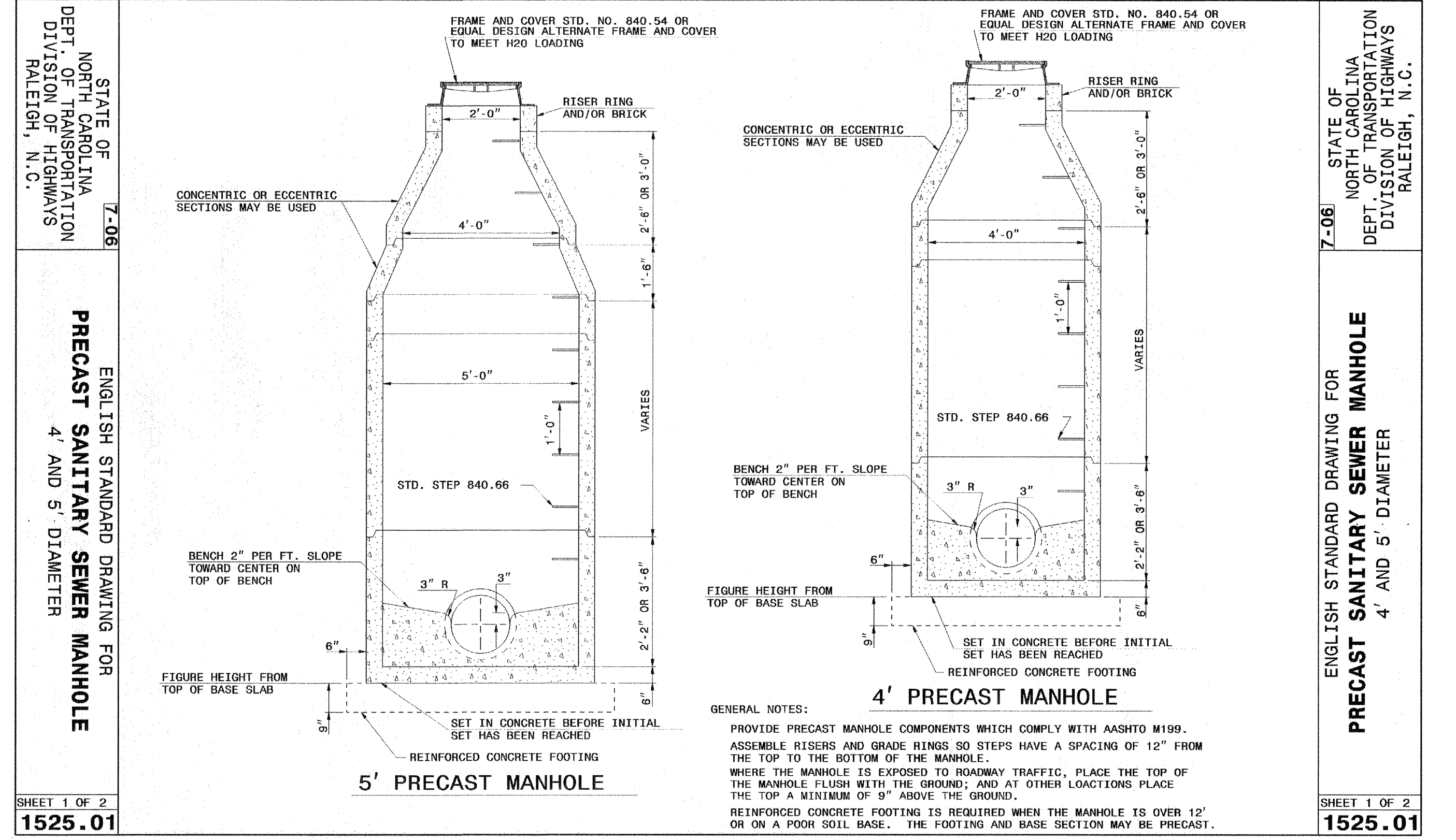
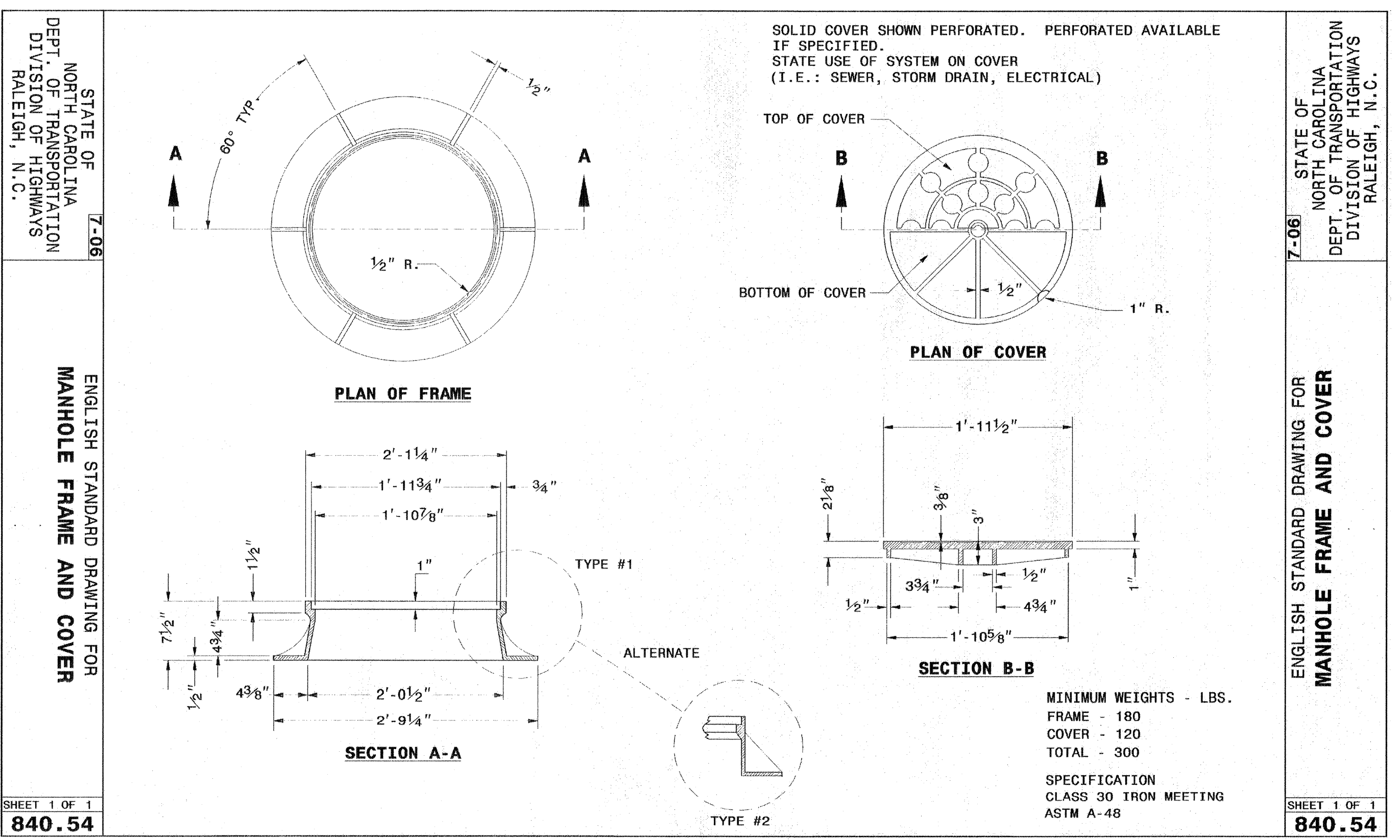
INTERNAL DIAMETER OF PIPE	WIDTH OF TRENCH	
	MAX	W-MIN
4'-6"	3'-9"	2'-0"
8'-10"	3'-9"	2'-2"
12"	3'-9"	O.D.+2"
14'-18"	4'-2"	O.D.+2"
18"	4'-4"	O.D.+2"
20'-21"	4'-8"	O.D.+2"
24"	4'-11"	O.D.+2"
27"	5'-9"	O.D.+2"
30"	6'-7"	O.D.+2"
36"	7'-4"	O.D.+2"
42"	8'-2"	O.D.+2"
48"	8'-9"	O.D.+2"
54"	9'-4"	O.D.+2"
60"	9'-10"	O.D.+2"
72"	11'-0"	O.D.+2"
78"	11'-8"	O.D.+2"
84"	12'-0"	O.D.+2"
90"	12'-6"	O.D.+2"
96"	13'-0"	O.D.+2"
108"	14'-0"	O.D.+2"
DEPTH OF CUT	S MAXIMUM PAVEMENT REPLACEMENT WIDTH	
	S	W
0'-6"	S=W+4"	
>6'-8"	S=W+8"	
>8'-10"	S=W+12"	
>10'-12"	S=W+16"	
>12'-14"	S=W+20"	
>14'-16"	S=W+24"	
>16'-18"	S=W+28"	
>18"	S=W+32"	

W = TRENCH WIDTH AT BOTTOM OF PIPE. TRENCH SIDE SLOPES SHALL BE IN ACCORDANCE WITH OSHA REQUIREMENTS.



0222110

PROPOSED PIPELINE OVER EXIST PIPE 0222118
 PROPOSED PIPELINE UNDER EXIST PIPE 0222118



MANHOLE NUMBER	NORTHING	EASTING	DIAMETER (FT)	WIDTH OF EXTENDED BASE (MIN)	TYPE OF COVER	VENT PIPE REQUIRED	ELEV OF VENT PIPE	INSIDE AND OUTSIDE STEPS REQD	CONCRETE BALLAST REQD(CY)	INTERIOR PAINTED	EXPOSED EXTERIOR PAINTED
MH NO. 1	596527.6904	2319789.9365	4'	0.5'	STANDARD	NO	----	YES	----	YES	NO
MH NO. 2	596726.4810	2320033.2657	4'	0.5'	STANDARD	NO	----	YES	----	YES	NO
MH NO. 3	596915.6495	2320264.8171	4'	0.5'	STANDARD	NO	----	YES	----	YES	NO
MH NO. 4	597106.4653	2320498.3849	4'	0.5'	STANDARD	NO	----	YES	----	YES	NO
MH NO. 5	597368.8203	2320819.5201	4'	0.5'	STANDARD	NO	----	YES	----	YES	NO
MH NO. 6	597623.0921	2321130.7609	4'	0.5'	STANDARD	NO	----	YES	----	YES	NO
MH NO. 7	597718.9366	2321248.0792	4'	0.5'	STANDARD	NO	----	YES	----	YES	NO
MH NO. 8	597861.3608	2321422.4133	4'	0.5'	STANDARD	NO	----	YES	----	YES	NO

NOTE: PROVIDE 8" MIN. COMPACTED CRUSHED STONE, NCDOT NO. 57 BENEATH BASE OF EACH MANHOLE.