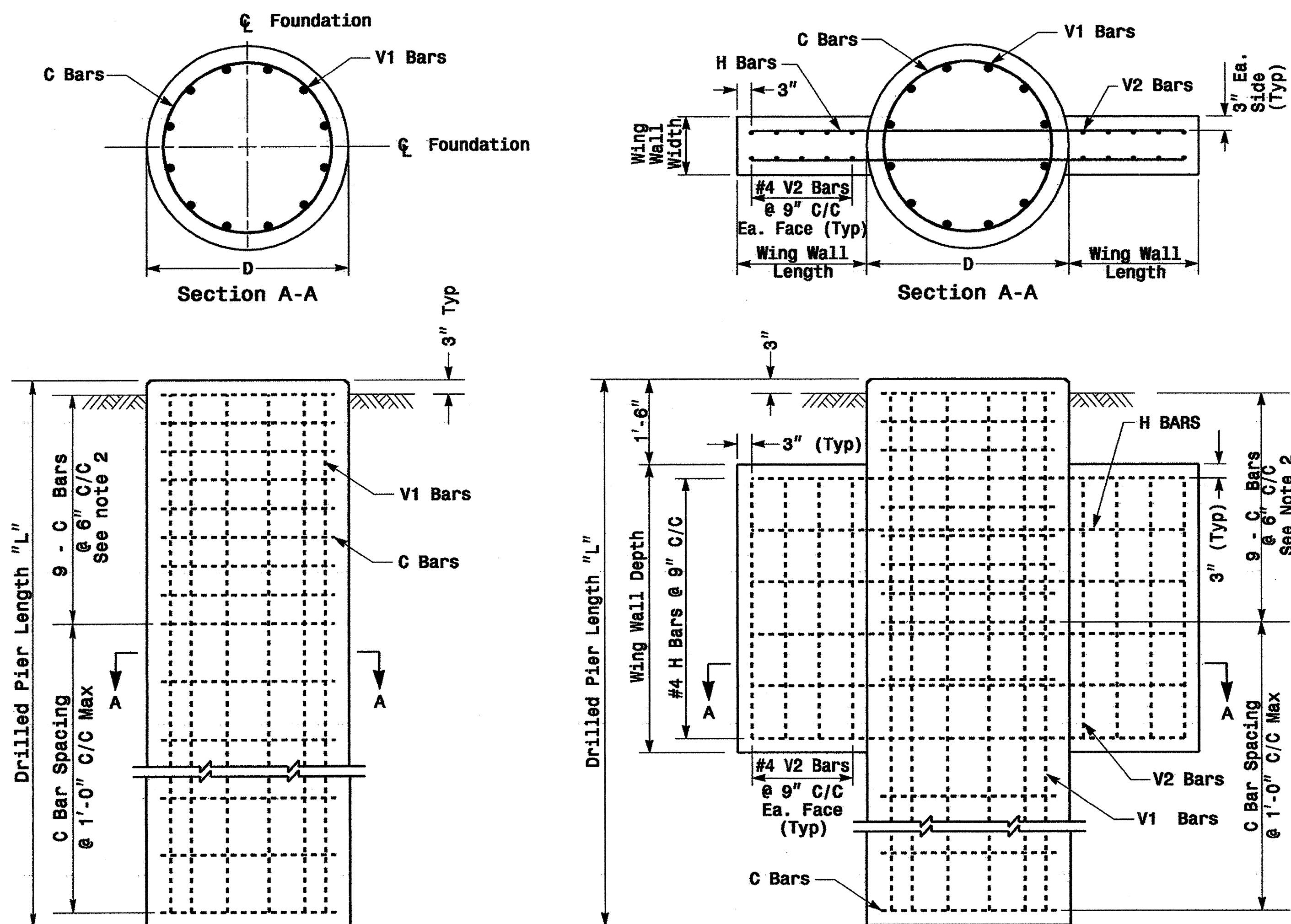


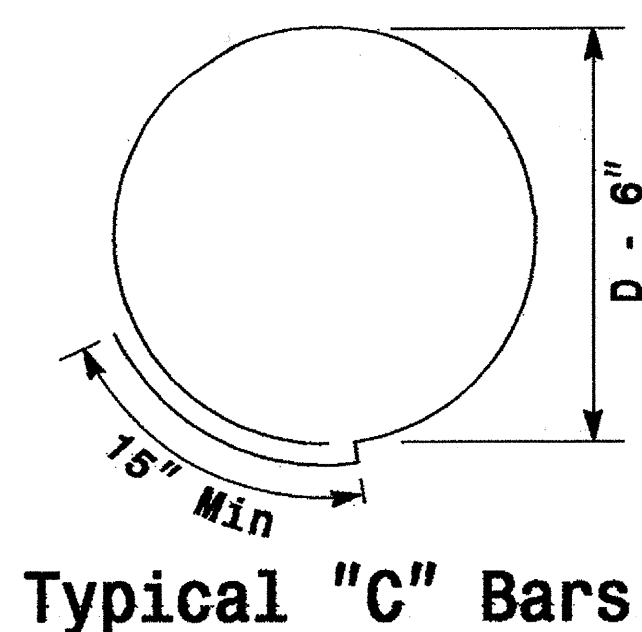
Reinforcing Steel Bars



REINFORCING STEEL TABLE FOR STANDARD DRILL PIER SHAFT (42" & 48" DIAMETER)

Shaft Dia (in.)	Conc. Volume (cu. yds.)	Bar Name	No.	Size	Type	Length
42"	.356 x L	V1	9	#8	STR.	**
		C	*	#4	CIR.	10'-9"
48"	.465 x L	V1	12	#8	STR.	**
		C	*	#4	CIR.	12'-6"

* See Note No. 1
** See Note No. 3



Typical "C" Bars

REINFORCING STEEL TABLE FOR STANDARD 42" and 48" DRILL PIER SHAFT WITH TYPE 1 AND TYPE 2 WING WALLS

Wing Wall Type	Drill Pier Shaft Dia. (in.)	Reinforcing Steel					
		Bar Name	No.	Size	Type	Length	
TYPE 1	42"	V1	9	#8	STR.	**	
		V2	12	#4	STR.	2'-6"	
		H	8	#4	STR.	6'-0"	
		C	*	#4	CIR.	10'-9"	
TYPE 2	42"	V1	9	#8	STR.	**	
		V2	16	#4	STR.	4'-6"	
		H	12	#4	STR.	9'-0"	
		C	*	#4	CIR.	10'-9"	
TYPE 2	48"	V1	12	#8	STR.	**	
		V2	16	#4	STR.	4'-6"	
		H	12	#4	STR.	9'-6"	
		C	*	#4	CIR.	12'-6"	

* See Note No. 1
** See Note No. 3

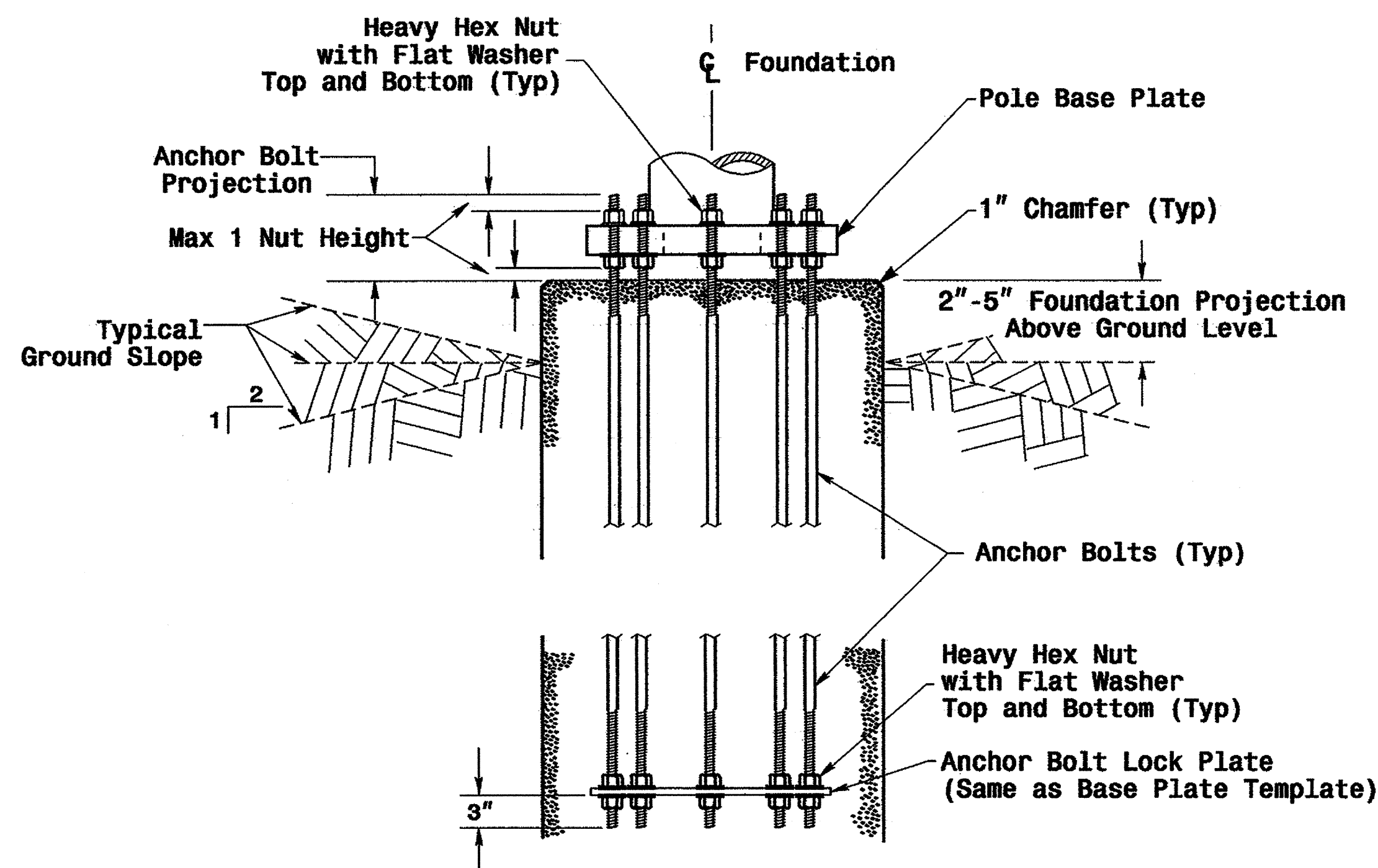
WING WALL DETAILS

Wing Wall Type	Wing Wall Length (Ft.)	Wing Wall Width (Ft.)	Wing Wall Depth (Ft.)	Concrete Volume (Cu. Yds.)
TYPE 1	1'-6"	1'-0"	3'-0"	.4
TYPE 2	3'-0"	1'-0"	5'-0"	1.2

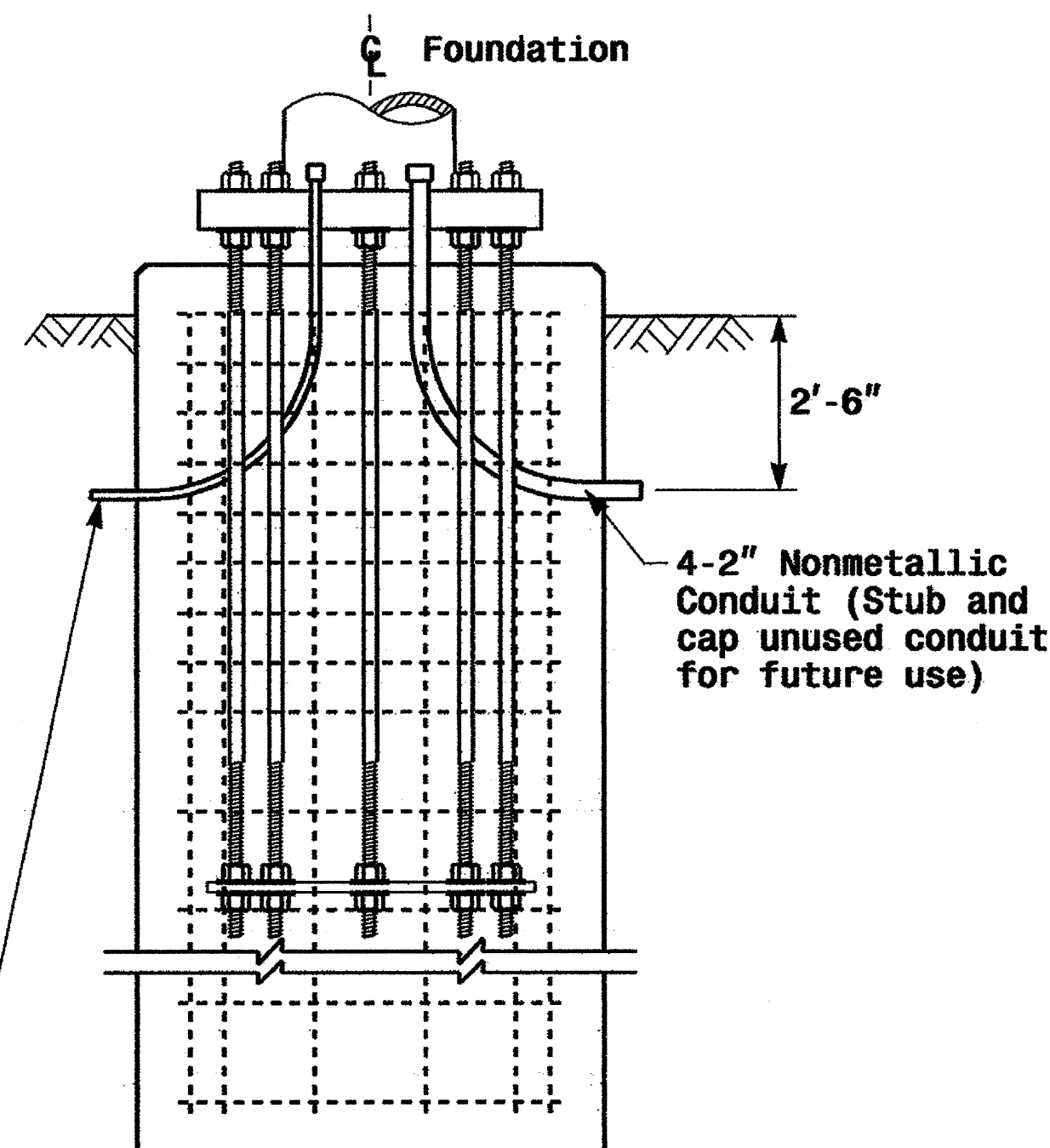
See Note No. 4

Typical Foundation Anchor Bolt Details

(Reinforcing Cage Not Shown for Clarity)



Typical Foundation Conduit Details



2-1" Nonmetallic Conduits for Electrical Service and Grounding Electrode Conductor

Notes

- The number of C-bars is based on foundation depth. For standard foundations, see sheet M 8.
- Circular tie reinforcing rings may be vertically adjusted by +/- 3" at a depth between 2'-0" and 3'-0" to facilitate the installation of electrical conduit entering in the cage.
- The length of V1-bars is based on foundation depth. For standard foundations, see sheet M 8.
- The quantities for steel and concrete shown in the Wing Wall Details Chart reflect the amount of material for 1 pair of wing walls (2 wing walls per drilled pier shaft.)

Prepared in the Office of:

Construction Details Foundations

PLAN DATE: May 2005 REVIEWED BY: P.L. ALEXANDER
 PREPARED BY: C.F. ANDREWS REVIEWED BY: A.M. ESPOSITO

SCALE: NONE

SIGNATURE: D. Sarker 9.2.2005
 DATE: 9.2.2005
 SIG. INVENTORY NO.