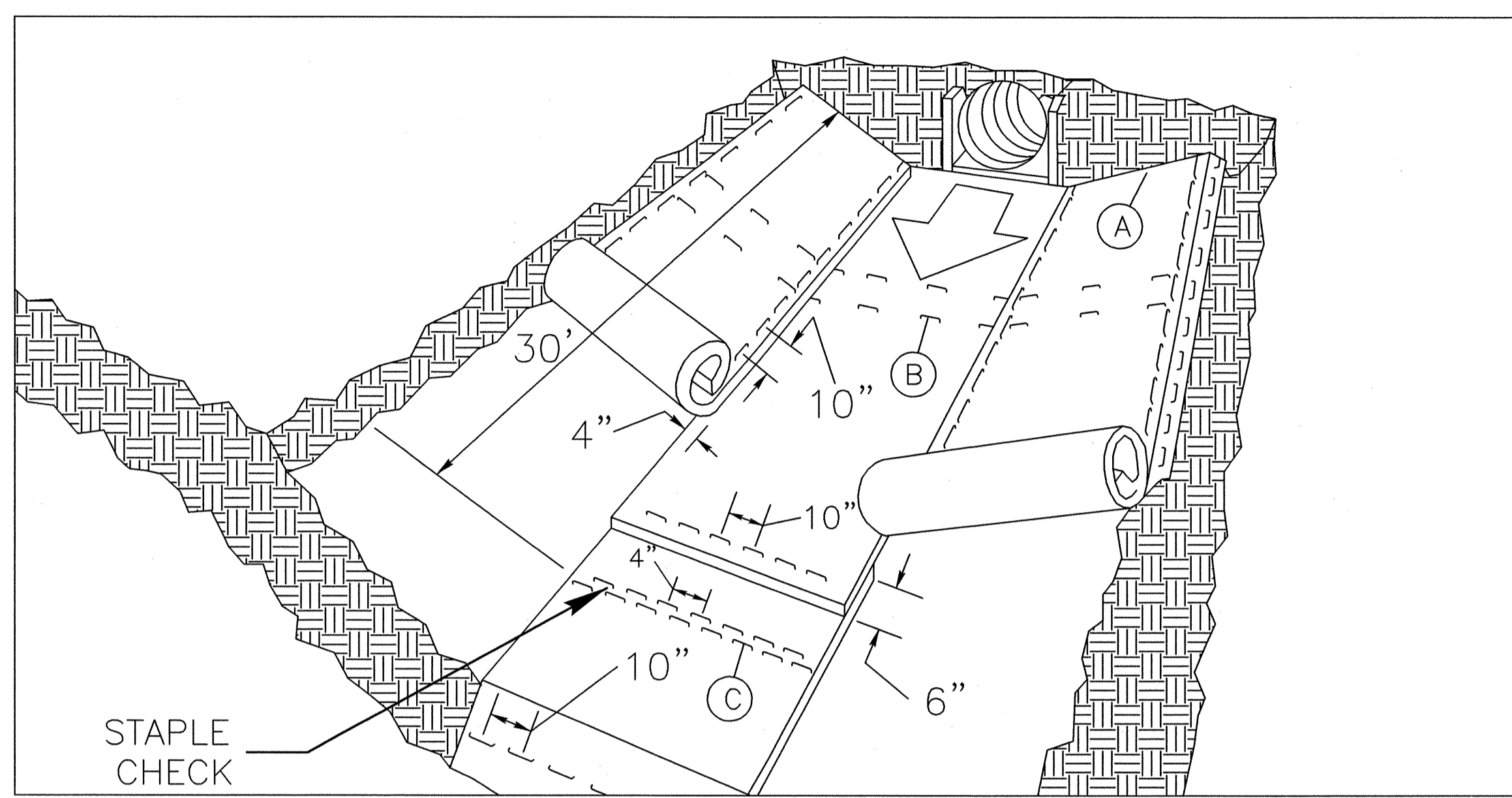


MATTING INSTALLATION DETAIL



MATTING IN DITCHES

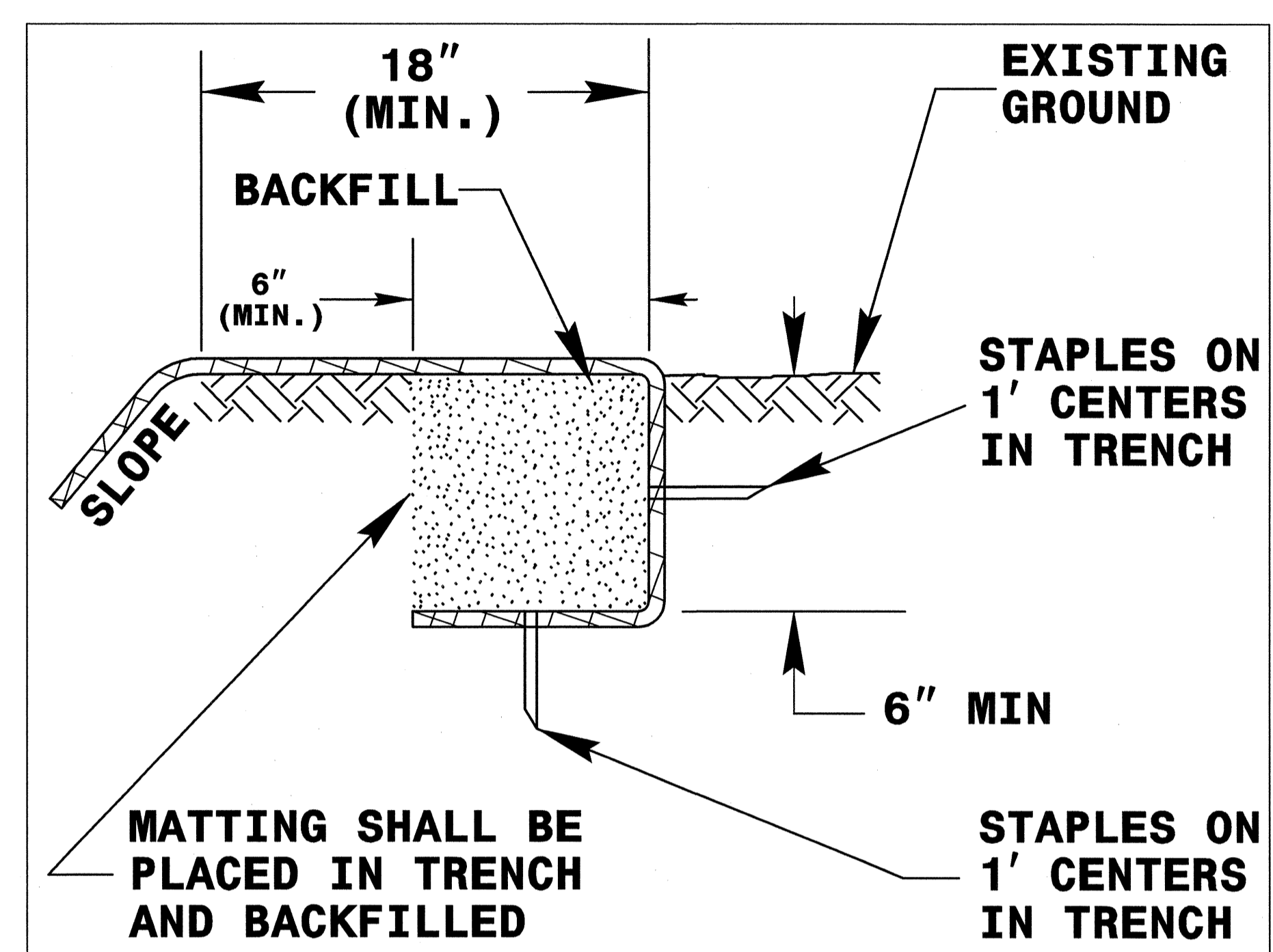
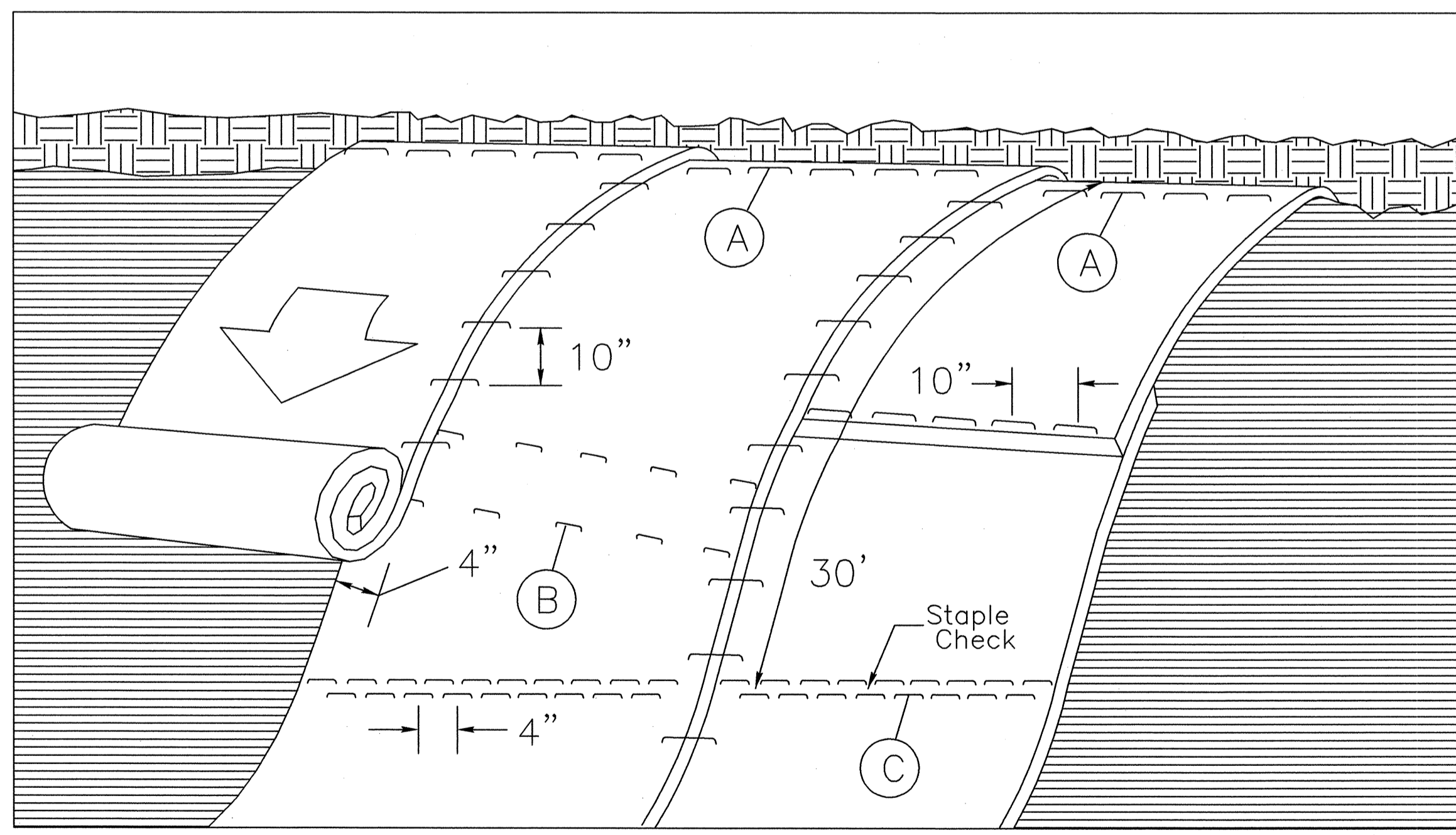


DIAGRAM (A)



MATTING ON SLOPES

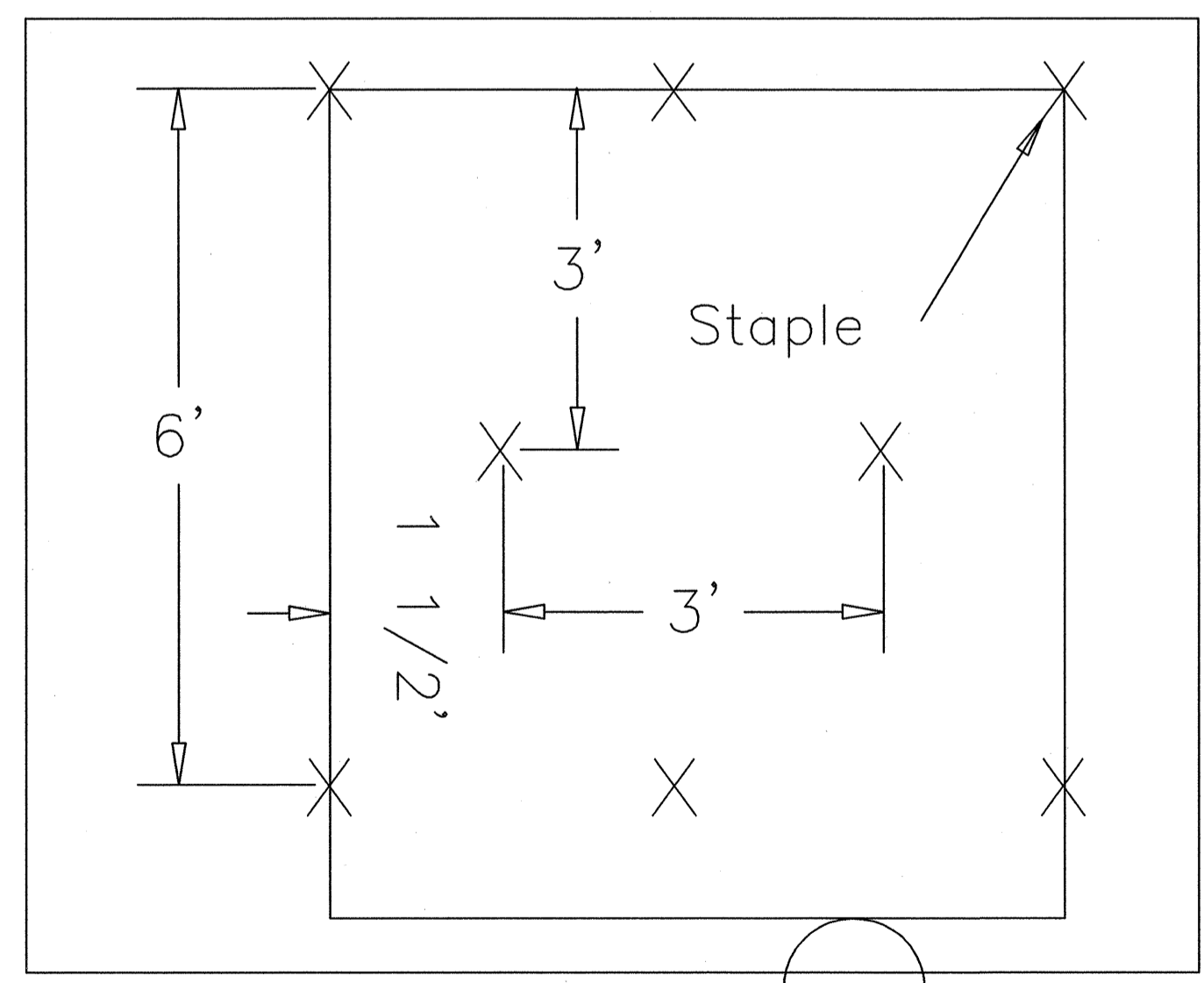


DIAGRAM B

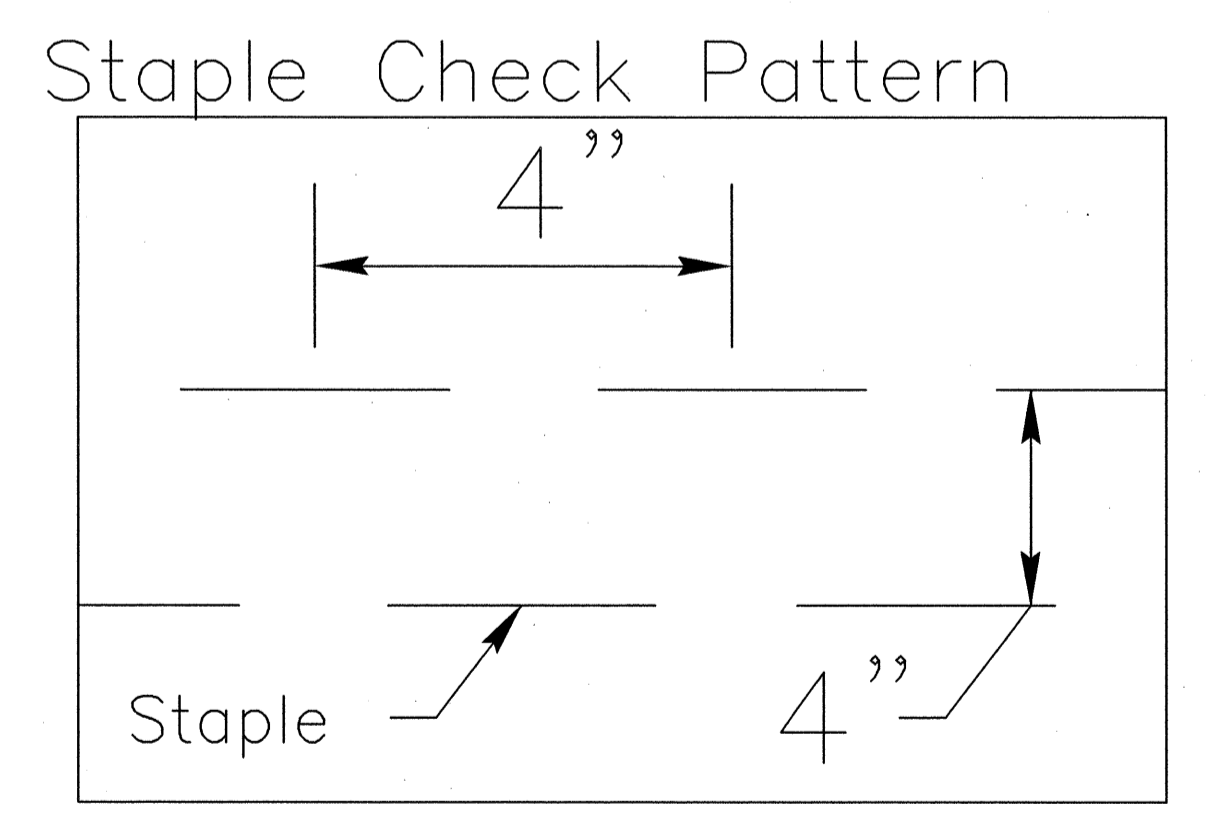


DIAGRAM (C)

NOTES:
 THIS DETAIL APPLIES TO STRAW, EXCELSIOR, AND PERMANENT SOIL REINFORCEMENT MAT (PSRM) INSTALLATION.
 STAPLES SHALL BE NO. 11 GAUGE STEEL WIRE FORMED INTO A "U" SHAPE WITH A MINIMUM THROAT WIDTH OF 1 INCH AND NOT LESS THAN 6 INCHES IN LENGTH.

NOT TO SCALE