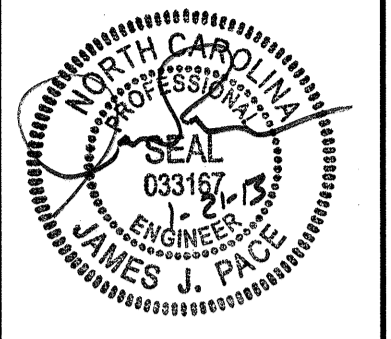
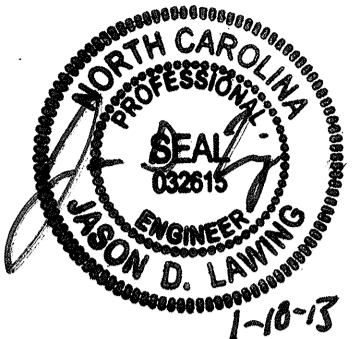
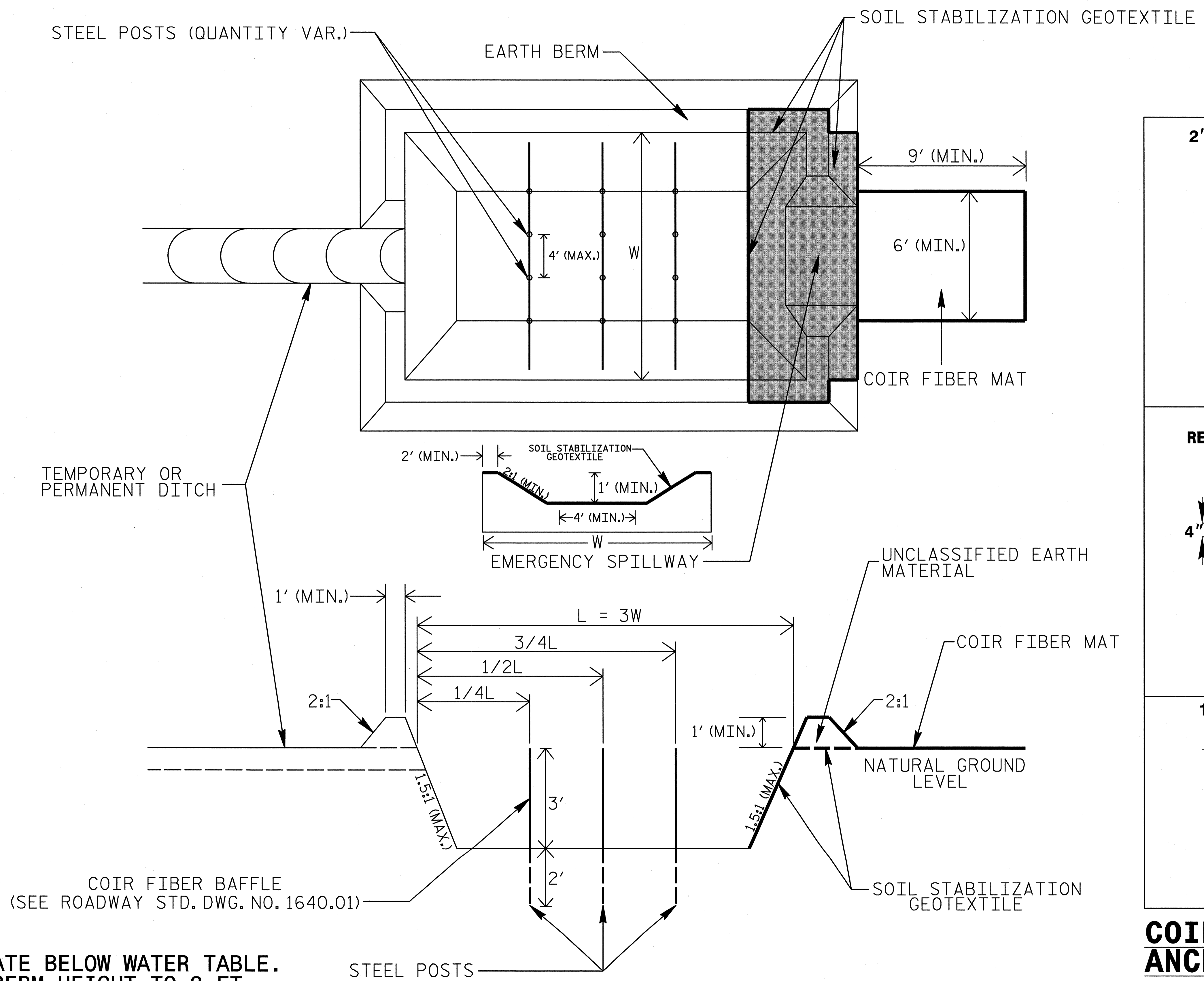


INFILTRATION BASIN WITH BAFFLES DETAIL

| | |
|---|---|
| PROJECT REFERENCE NO. U-3609A | SHEET NO. EC-2B |
| RW SHEET NO. | |
| ROADWAY DESIGN ENGINEER | HYDRAULICS ENGINEER |
|  NORTH CAROLINA PROFESSIONAL ENGINEER SEAL 033187 JAMES J. PAK |  NORTH CAROLINA PROFESSIONAL ENGINEER SEAL 032615 JASON D. LAWING 1-10-13 |



NOTES

- DO NOT EXCAVATE BELOW WATER TABLE.
- LIMIT EARTH BERM HEIGHT TO 3 FT.
- AVOID COMPACTING BOTTOM OF BASIN.
- FOR BASIN DEPTH OF 3 FT., THE MINIMUM BASIN WIDTH SHALL BE 9 FT.
- DETERMINE EMERGENCY SPILLWAY LENGTH (FT.) USING $Q/0.8$, WHERE Q IS FLOW RATE (CFS) INTO BASIN.

COIR FIBER MAT ANCHOR OPTIONS

NOT TO SCALE