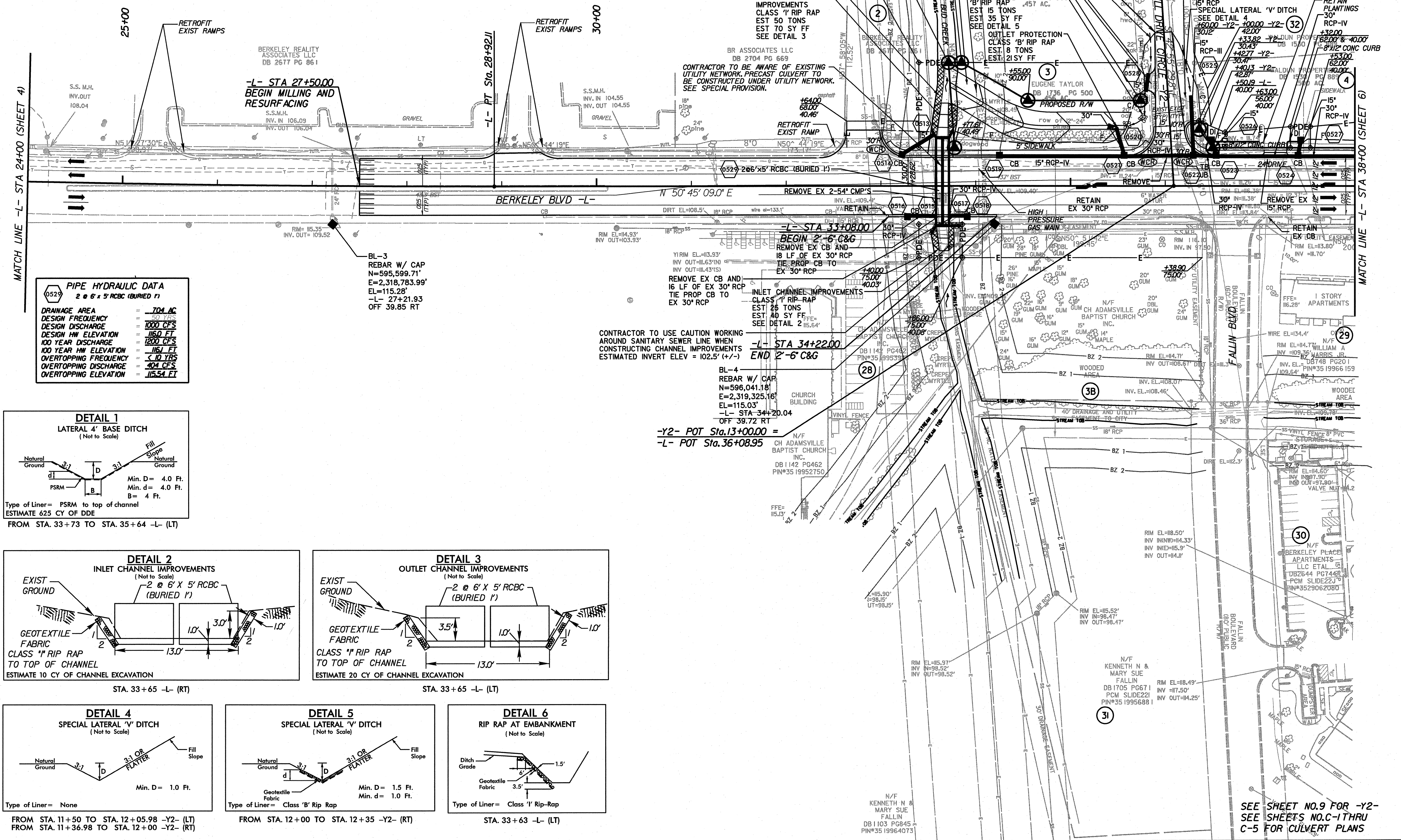


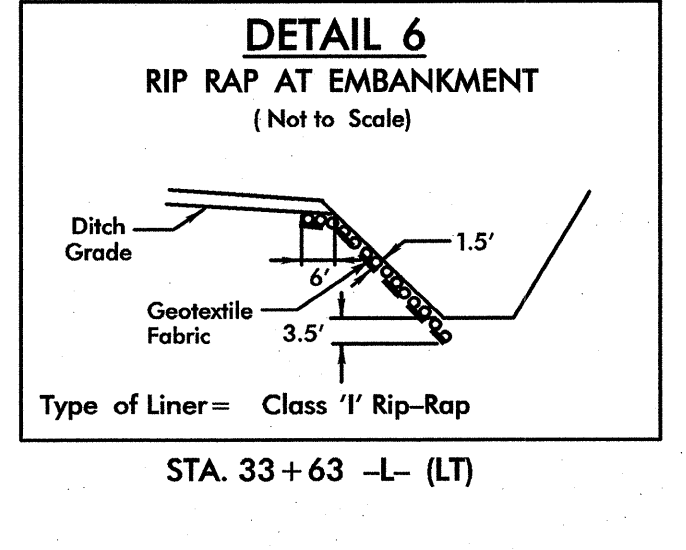
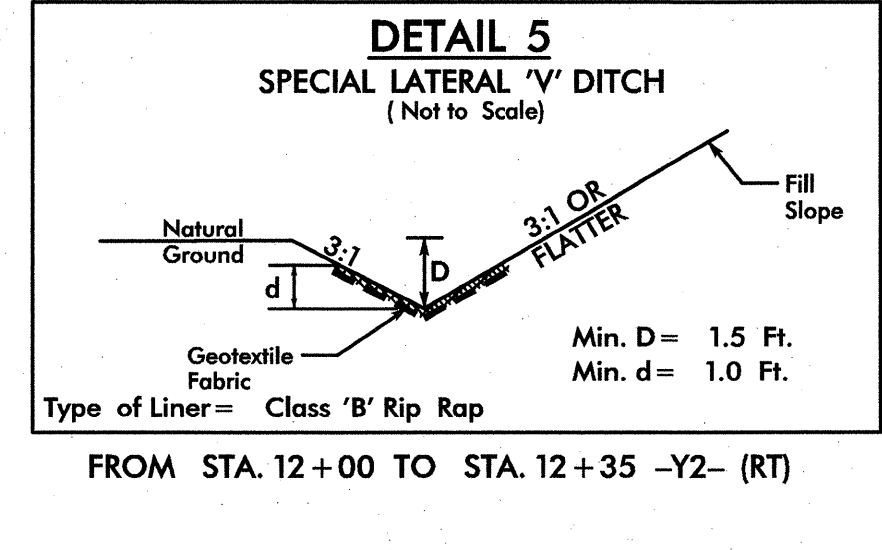
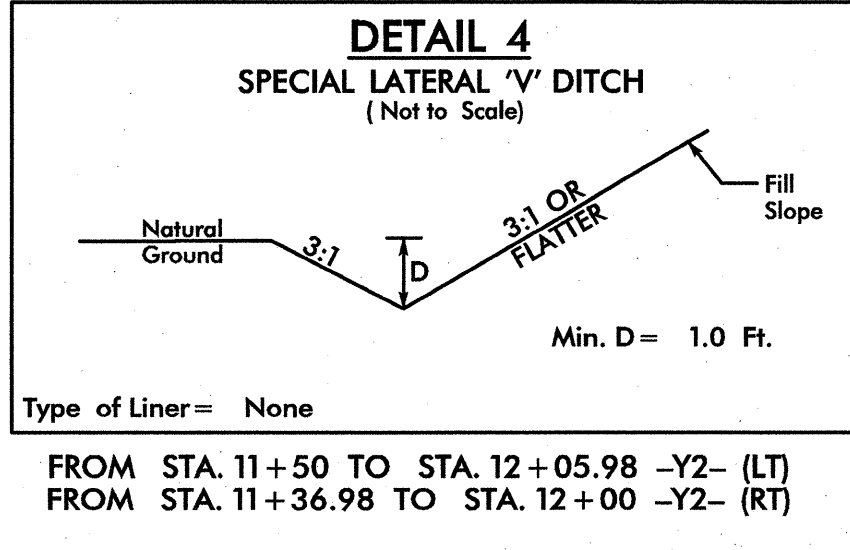
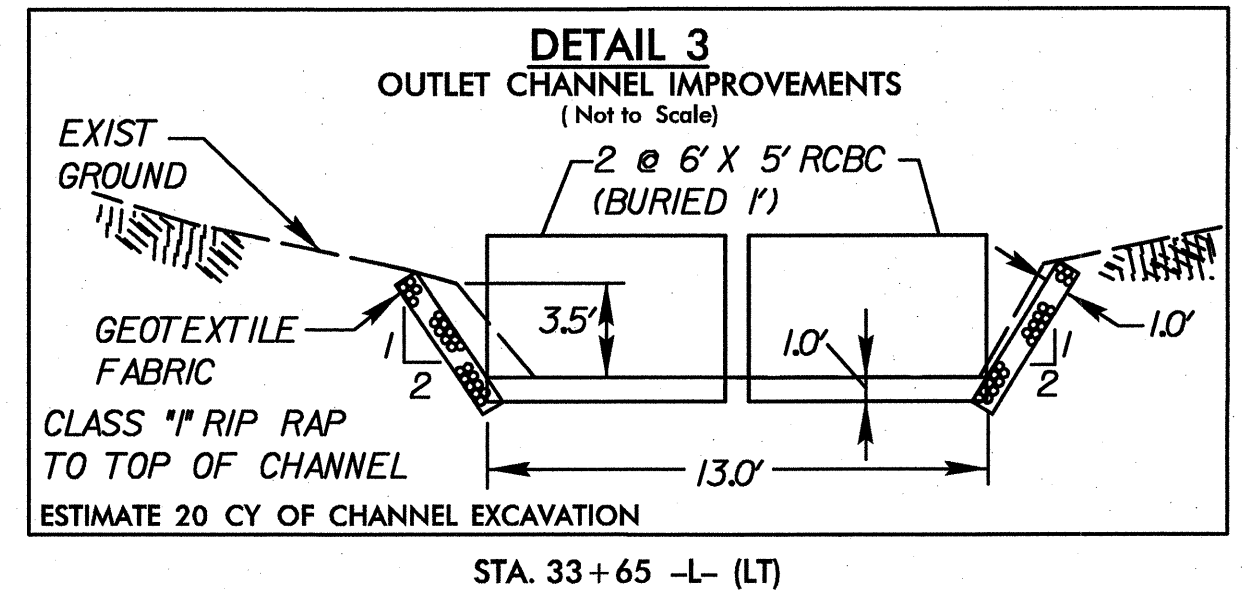
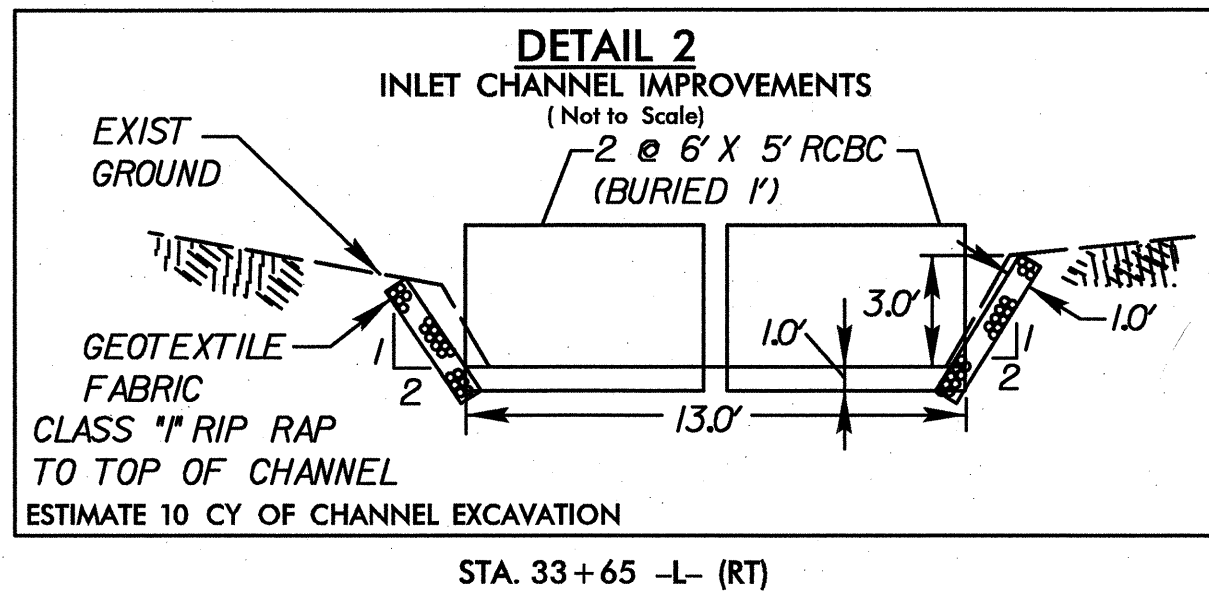
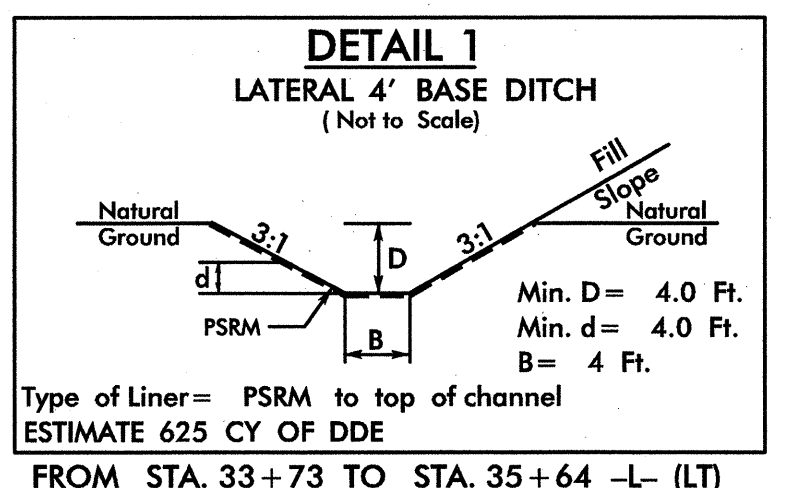
-L-
 PI Sta 24+76.16
 $\Delta = 2' 04" 48.0' (LT)$
 $D = 0' 15" 00.0'$
 $L = 832.00'$
 $T = 416.04'$
 $R = 22918.31'$
 $DS = 50 MPH$

| EXISTING SANITARY SEWER | | | | | | | | | |
|---|---|-----------------------------------|---|---|---|---|---|---|--|
| SS-1 | SS-2 | SS-3 | SS-4 | SS-5 | SS-6 | SS-7 | SS-8 | SS-9 | SS-10 |
| RIM EL=115.16' INV IN=103.36' INV OUT=102.82' | RIM EL=114.82' INV IN=102.92' INV OUT=102.82' | INV. IN 103.31 INV. OUT 103.24 | RIM EL=113.81' INV IN=102.96' INV OUT=102.86' | RIM EL=112.96' INV IN=102.76' INV OUT=102.76' | RIM EL=113.66' INV IN=102.36' INV OUT=102.34' | RIM EL=115.47' INV IN=102.22' INV OUT=102.17' | S.S.M.H. RIM 113.65 INV IN 95.45 INV OUT=95.35 | RIM EL=115.16' INV IN=102.96' INV OUT=102.86' | RIM EL=116.10' INV IN=102.76' INV IN=102.76' |
| EXISTING STORMDRAIN | | | | | | | | | |
| DI-1 | CB-1 | CB-2 | CB-3 | CB-4 | CB-5 | CB-6 | CB-7 | CB-8 | CB-9 |
| RIM EL=113.34' FILLED WITH DIRT | RIM EL=115.23' INV IN=109.53' INV IN(SW)=109.69' INV OUT=109.60' | RIM EL=115.46' INV CL=109.24' | RIM EL=115.47' INV CL=109.26' | RIM EL=115.47' INV CL=109.26' | RIM EL=115.47' INV CL=109.26' | RIM EL=115.47' INV CL=109.26' | RIM EL=115.47' INV CL=109.26' | RIM EL=115.47' INV CL=109.26' | RIM EL=115.47' INV CL=109.26' |

| | |
|---|---------------------|
| PROJECT REFERENCE NO. U-3609A | SHEET NO. 5 |
| ROADWAY DESIGN ENGINEER | HYDRAULICS ENGINEER |
| | |
| Kimley-Horn and Associates, Inc. P.O. BOX 33068 RALEIGH, N.C. 27636-3068 | |



| PIPE HYDRAULIC DATA | |
|------------------------------|-------------|
| 2 @ 6" x 5" RCBC (BURIED 1') | |
| DRAINAGE AREA | = 704 AC |
| DESIGN FREQUENCY | = 50 YRS |
| DESIGN DISCHARGE | = 1000 CFS |
| DESIGN HW ELEVATION | = 116.0 FT |
| 100 YEAR DISCHARGE | = 1200 CFS |
| 100 YEAR HW ELEVATION | = 116.1 FT |
| OVERTOPPING FREQUENCY | = < 10 YRS |
| OVERTOPPING DISCHARGE | = 404 CFS |
| OVERTOPPING ELEVATION | = 115.54 FT |



K:\RAL_Roadway\01746003 (Berkeley Blvd)\Plan\01746003_psh_5.dgn
 1/26/2015

SEE SHEET NO.9 FOR -Y2-
 SEE SHEETS NO.C-1 THRU
 C-5 FOR CULVERT PLANS