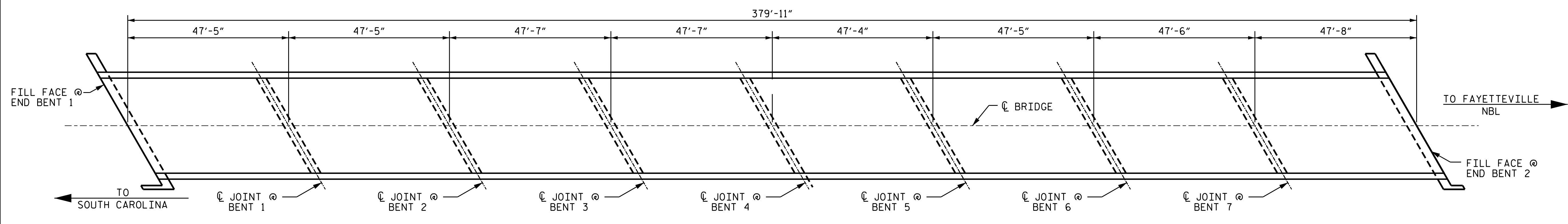


SECTION PROFILE ALONG CL MEDIAN



PLAN OF SPANS

PROJECT NO. I-5308
ROBESON COUNTY
 BRIDGE NO: 146
 SHEET 1 OF 2

STATE OF NORTH CAROLINA
 DEPARTMENT OF TRANSPORTATION
 RALEIGH
 GENERAL DRAWING
 BRIDGE #146 ON I-95
 NORTHBOUND LANE
 OVER LUMBER RIVER



DRAWN BY : M. WELDON DATE : 11/2014
 CHECKED BY : F. ASEFNIA DATE : 11/2014

REVISIONS						SHEET NO.	
NO.	BY:	DATE:	NO.	BY:	DATE:	S-11	
1			3			TOTAL SHEETS	
2			4			23	