

JOINT INSTALLATION SEQUENCE AT END BENTS

NOTES:

CONTRACTOR SHALL FIELD VERIFY THE EXISTING FORMED OPENING PRIOR TO OBTAINING JOINT MATERIAL.

IF THE EMBEDDED PORTION OF THE EXISTING PLASTIC WATERSTOP IS EXPOSED DURING REMOVAL OF UNSOUND CONCRETE OR IF UNSOUND CONCRETE IS REMOVED TO WITHIN 2" OF THE WATERSTOP, THE ENTIRE WATERSTOP SHALL BE REMOVED.

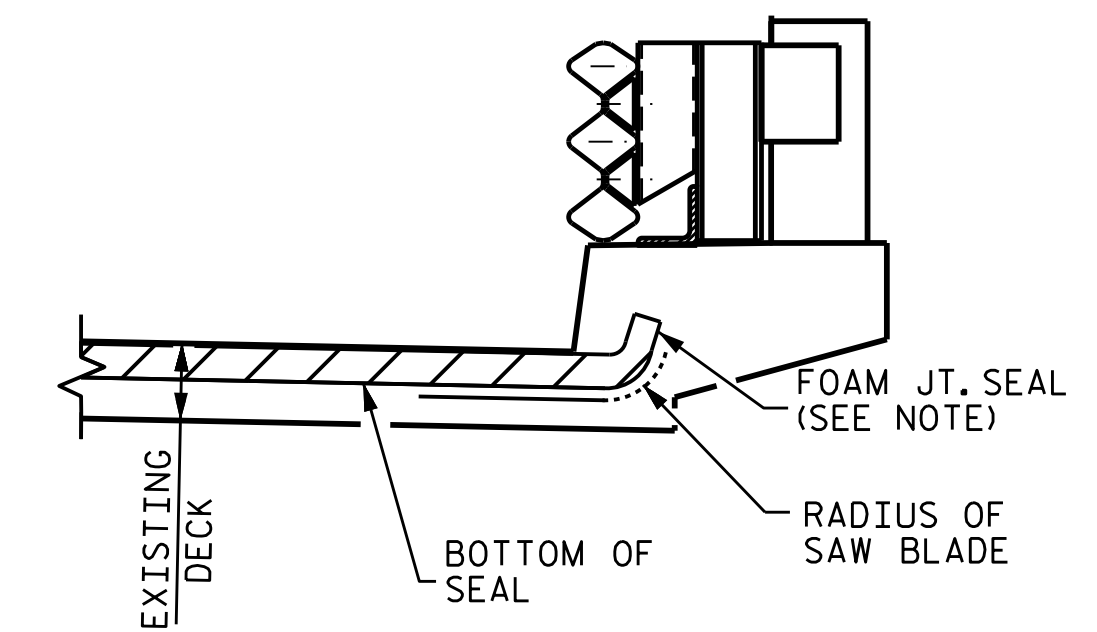
HYDRO-DEMOLITION OR EXCAVATION OF CONCRETE AT THE EXISTING JOINT SHALL RESULT IN THE BOTTOM OF THE EXCAVATION BEING REASONABLY FLAT, TO PROVIDE SUFFICIENT SUBSTRATE FOR PLACEMENT AND SUPPORT OF ELASTOMERIC CONCRETE.

FOR FOAM JOINT SEALS, SEE SPECIAL PROVISIONS.

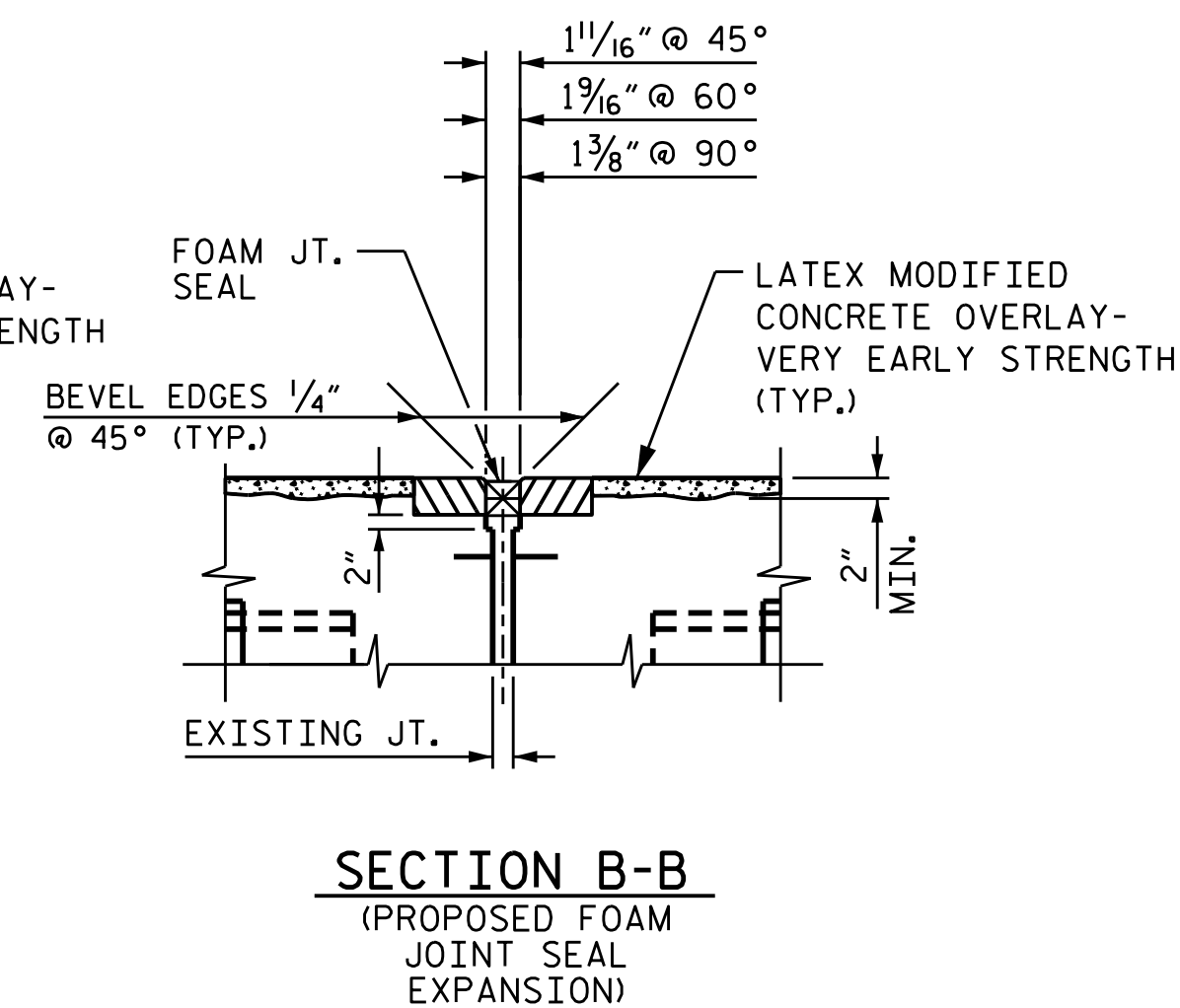
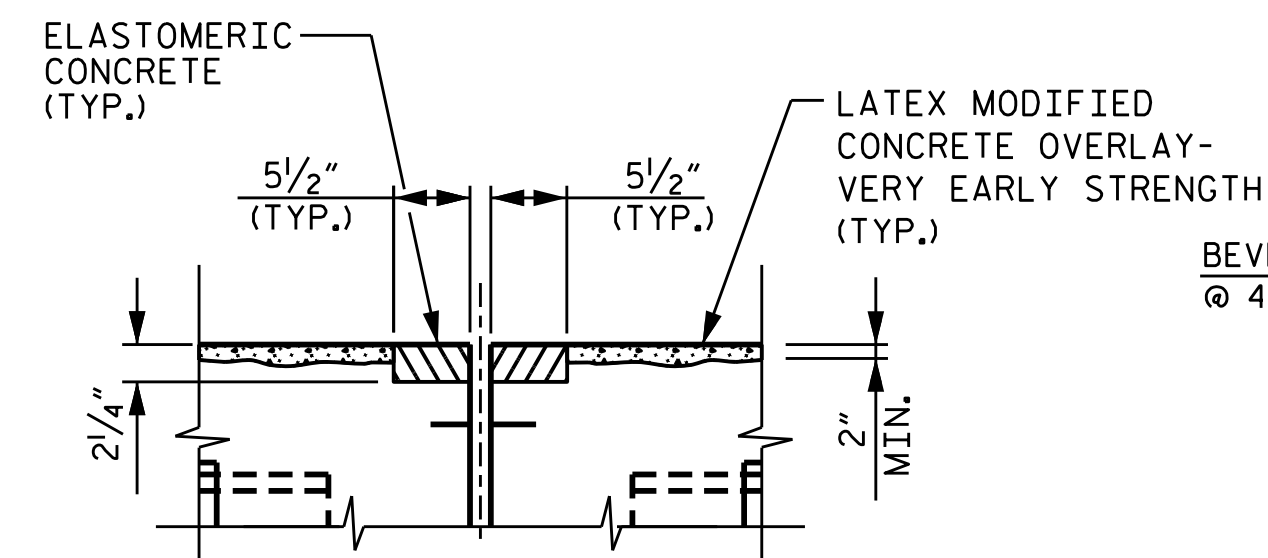
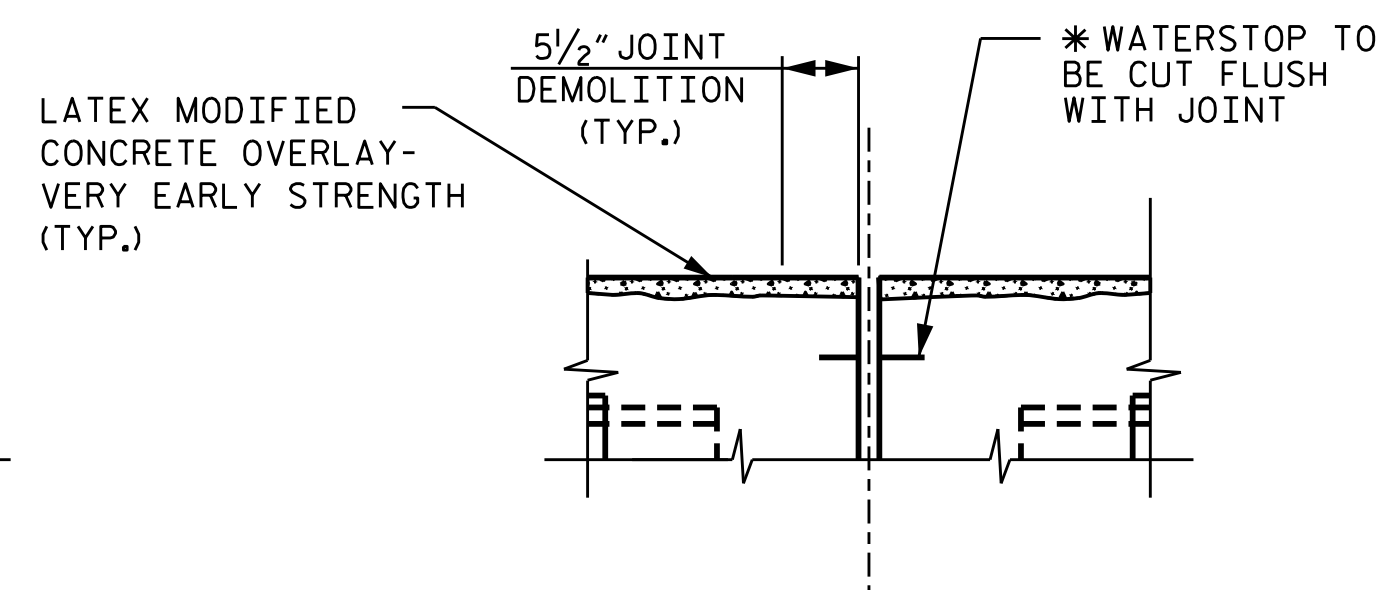
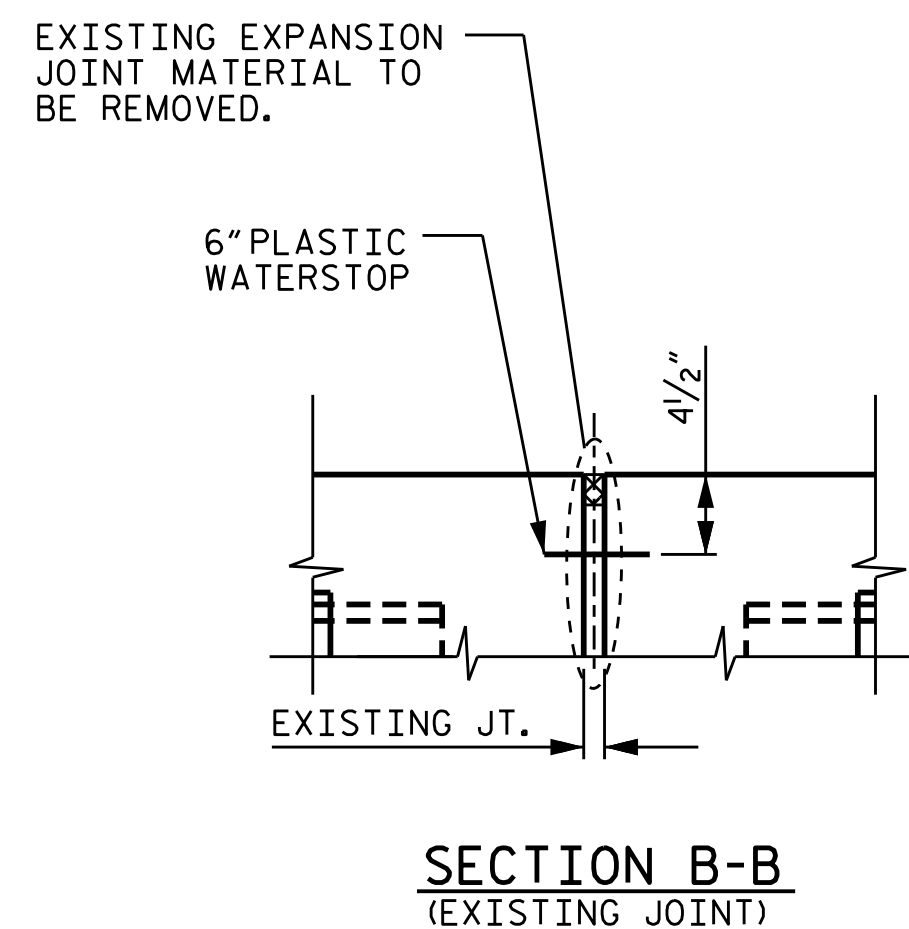
FOR ELASTOMERIC CONCRETE, SEE SPECIAL PROVISIONS.

RETAIN ALL EXISTING REINFORCING STEEL. CLEAN AND REPAIR AS NEEDED.

THE WIDTH OF THE UNCOMPRESSED FOAM JOINT MATERIAL SHALL BE 2".



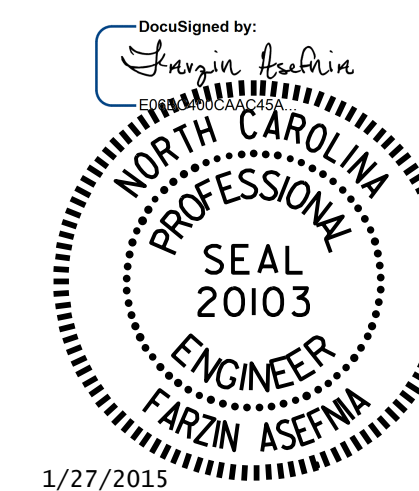
SECTION E-E



JOINT INSTALLATION SEQUENCE AT BENTS

PROJECT NO. I-5308
ROBESON COUNTY
 BRIDGE NO.: 144 & 145

STATE OF NORTH CAROLINA
 DEPARTMENT OF TRANSPORTATION
 RALEIGH
 SUPERSTRUCTURE
 JOINT DETAILS



DRAWN BY : M. WELDON DATE : 4/2014
 CHECKED BY : F. ASEFNIA DATE : 4/2014

REVISIONS						SHEET NO.
NO.	BY:	DATE:	NO.	BY:	DATE:	TOTAL SHEETS
1			3			23
2			4			