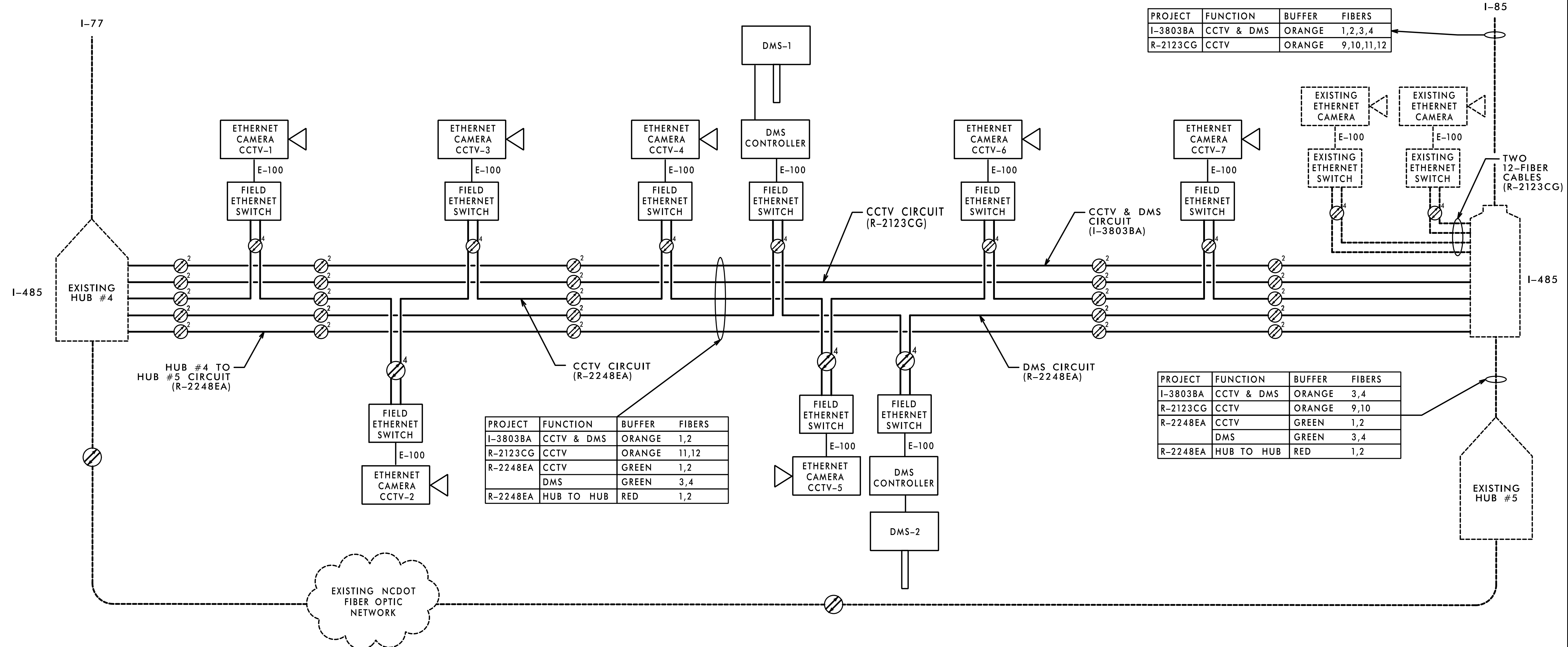


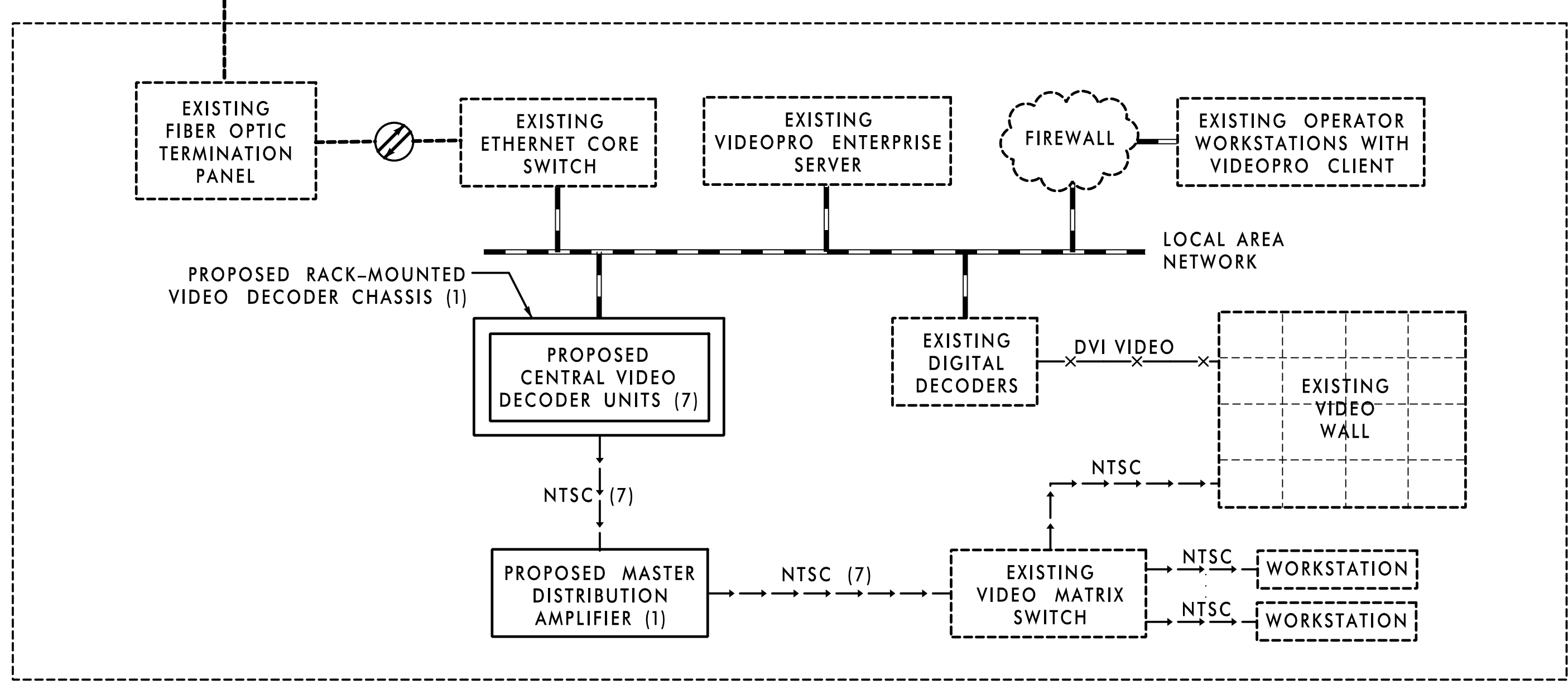
PROJECT	FUNCTION	BUFFER	FIBERS
I-3803BA	CCTV & DMS	ORANGE	1,2,3,4
R-2123CG	CCTV	ORANGE	9,10,11,12

PROJECT	FUNCTION	BUFFER	FIBERS
I-3803BA	CCTV & DMS	ORANGE	3,4
R-2123CG	CCTV	ORANGE	9,10
R-2248EA	CCTV	GREEN	1,2
R-2248EA	DMS	GREEN	3,4
R-2248EA	HUB TO HUB	RED	1,2

PROJECT	FUNCTION	BUFFER	FIBERS
I-3803BA	CCTV & DMS	ORANGE	1,2
R-2123CG	CCTV	ORANGE	11,12
R-2248EA	CCTV	GREEN	1,2
R-2248EA	DMS	GREEN	3,4
R-2248EA	HUB TO HUB	RED	1,2



METROLINA REGIONAL TRANSPORTATION MANAGEMENT CENTER (MRTMC)



LEGEND

- EXISTING FIBER OPTIC CABLE (1000 BASE FX ETHERNET)
- - - PROPOSED FIBER OPTIC CABLE (1000 BASE FX ETHERNET)
- ⊗ FIBER PAIR (XMIT & RCV) X=TOTAL NUMBER OF FIBERS
- 1000 BASE TX ETHERNET
- X— DVI VIDEO
- ANALOG VIDEO
- ⬠ EXISTING HUB BUILDING
- ⬠ EXISTING SPLICE CABINET
- ⬠ PROPOSED DEVICE

HNTB HNTB NORTH CAROLINA, P.C.
 343 E. Six Forks Road, Suite 200
 Raleigh, North Carolina 27609
 NC License No: C-1554

<p>Plans Prepared for:</p> <p>250 N. Greenfield Place, Garner, NC 27529</p>	<p>NETWORK BLOCK DIAGRAM</p>		<p>SEAL</p>							
	<p>DIVISION 10 MECKLENBURG CO., CHARLOTTE</p> <p>PLAN DATE: FEBRUARY 2015 REVIEWED BY: A.D. KLINKSIEK</p> <p>PREPARED BY: T.R. TERRELL REVIEWED BY: H.L. WINSTEAD</p>	<p>SCALE</p> <p>NONE</p>		<p>REVISIONS</p> <table border="1"> <tr> <th>NO.</th> <th>DESCRIPTION</th> <th>INIT.</th> <th>DATE</th> </tr> <tr> <td> </td> <td> </td> <td> </td> <td> </td> </tr> </table>	NO.	DESCRIPTION	INIT.	DATE		
NO.	DESCRIPTION	INIT.	DATE							

DocuSigned by: H.L. Winstead, Jr. 02-04-2015
 CADD File Name: R2248EA ITS-04.dgn