
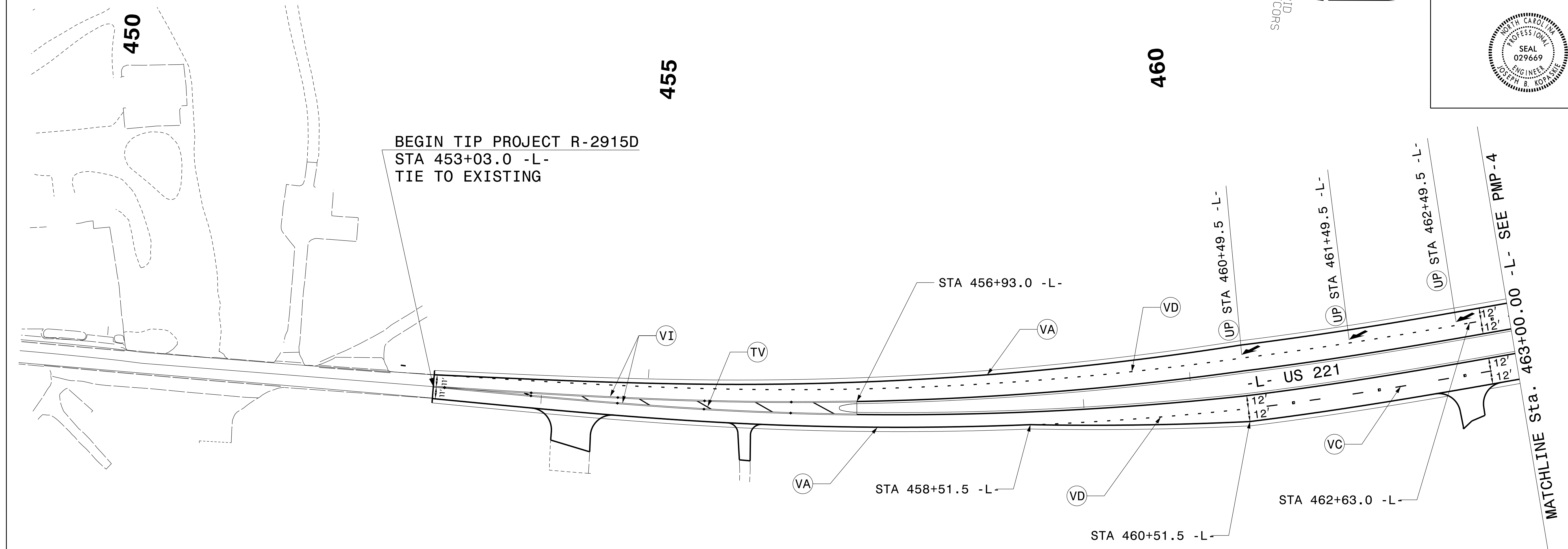
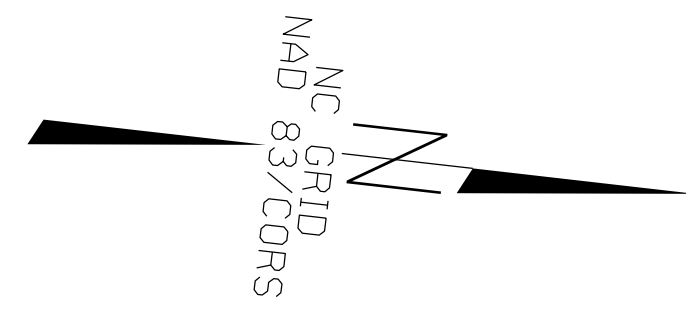


TIP NO. R-2915D	SHEET NO. PMP-3
Approved by: <u>Joseph B. Kopaskie</u> <small>SC02EAEF90A54FA</small>	
DATE: 10/29/2014	
SEAL	
	



BEGIN TIP PROJECT R-2915D
 STA 453+03.0 -L-
 TIE TO EXISTING

PAVEMENT MARKING DETAIL

SYTIME
 CONSTRUCTION
 USERNAME