


T.I.P.: B-4957

CONTRACT: -

**STATE OF NORTH CAROLINA
DEPARTMENT OF TRANSPORTATION**

**PAVEMENT MARKING PLAN
GUILFORD COUNTY**

LOCATION: REPLACE BRIDGE NO.56 OVER RICHLAND CREEK ON SR 1193 (BAKER ROAD)

TIP NO. B-4957	SHEET NO. PMP-1
APPROVED: <i>[Signature]</i>	
DATE: 11/29/12	
SEAL	
	

ROADWAY STANDARD DRAWING

THE FOLLOWING ROADWAY STANDARDS AS APPEAR IN "ROADWAY STANDARD DRAWINGS" - PROJECT SERVICES UNIT - N.C. DEPARTMENT OF TRANSPORTATION - RALEIGH, N.C., DATED JANUARY 2012 ARE APPLICABLE TO THIS PROJECT AND BY REFERENCE HEREBY ARE CONSIDERED A PART OF THESE PLANS:

STD. NO.	TITLE
1205.01	PAVEMENT MARKINGS - LINE TYPES AND OFFSETS
1205.02	PAVEMENT MARKINGS - TWO-LANE AND MULTILANE ROADWAYS
1205.12	PAVEMENT MARKINGS - BRIDGES
1261.01	GUARDRAIL AND BARRIER DELINEATORS - INSTALLATION SPACING
1261.02	GUARDRAIL AND BARRIER DELINEATORS - TYPES AND MOUNTING
1262.01	GUARDRAIL END DELINEATION

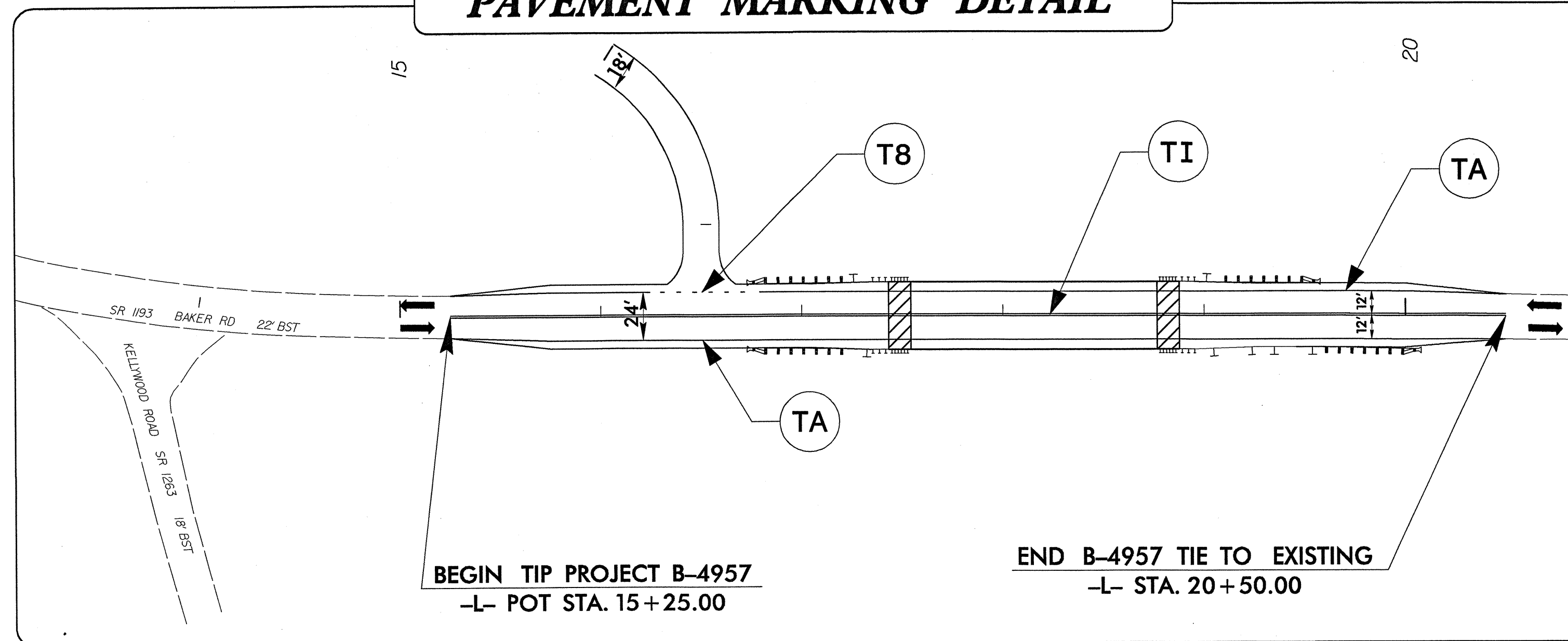
GENERAL NOTES

THE FOLLOWING GENERAL NOTES APPLY AT ALL TIMES FOR THE DURATION OF THE CONSTRUCTION PROJECT, EXCEPT WHEN OTHERWISE NOTED IN THE PLAN, OR DIRECTED BY THE ENGINEER.

- A) INSTALL PAVEMENT MARKINGS AND PAVEMENT MARKERS ON THE FINAL SURFACE AS FOLLOWS:

ROAD NAME	MARKING	MARKER
ALL	THERMOPLASTIC	NONE
- B) TIE PROPOSED PAVEMENT MARKING LINES TO EXISTING PAVEMENT MARKING LINES.
- C) REMOVE/REPLACE ANY CONFLICTING/DAMAGED PAVEMENT MARKINGS AND MARKERS.
- D) STOP BAR LOCATION AT NON-SIGNALIZED INTERSECTIONS MAY BE ADJUSTED AS DIRECTED BY THE ENGINEER.
- E) REMOVE ALL RESIDUE AND SURFACE LAITANCE BY ACCEPTABLE METHODS ON THE BRIDGE DECK PRIOR TO PLACING PAINT PAVEMENT MARKING MATERIAL.

PAVEMENT MARKING DETAIL



PAVEMENT MARKING SCHEDULE

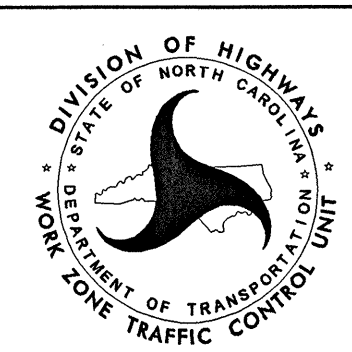
SYMBOL	DESCRIPTION
	THERMOPLASTIC(4")
T8	2 FT.-6 FT./SP WHITE MINISKIP
TA	WHITE EDGELINE
TI	YELLOW DOUBLE CENTER

INDEX

SHEET NO.	DESCRIPTION
PMP-1	PAVEMENT MARKING PLAN TITLE SHEET AND PAVEMENT MARKING SCHEDULE AND PAVEMENT MARKING DETAILS

PLAN REVIEWED BY: N.C.D.O.T. SIGNING AND DELINEATION UNIT

SUSAN B. KUNZ SIGNING & DELINEATION STANDARDS ENGINEER
STACEY JOHNS SIGNING & DELINEATION PROJECT DESIGN ENGINEER



PLAN PREPARED BY: Ramey Kemp & Associates

W.JASON HAMILTON, P.E., PTOE PROJECT MANAGER
NICHOLAS E. BURNS, E.I. PROJECT ENGINEER

