



PROJECT REFERENCE NO. SHEET NO.

R-2241A RF-1

R / W SHEET NO.

ROADWAY DESIGN ENGINEER

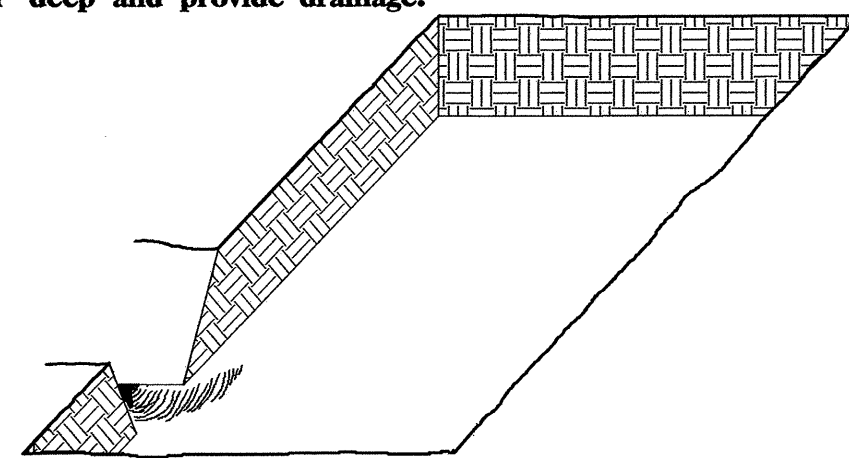
HYDRAULICS ENGINEER

PLANTING DETAILS

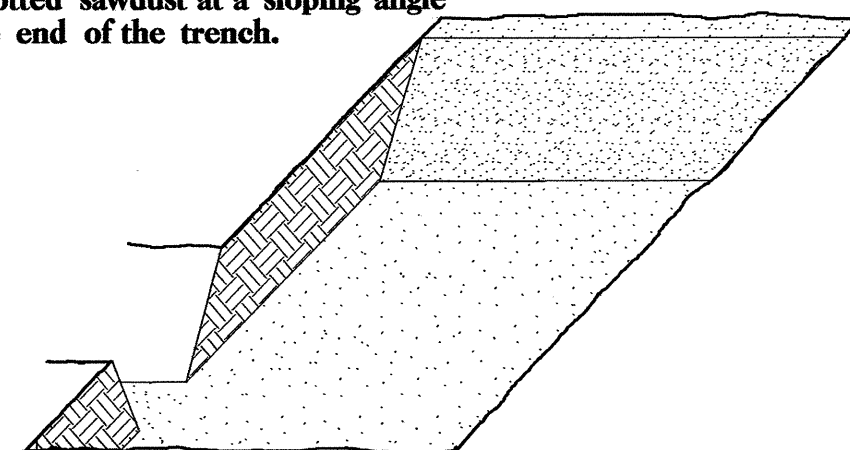
SEEDLING / LINER BAREROOT PLANTING DETAIL

HEALING IN

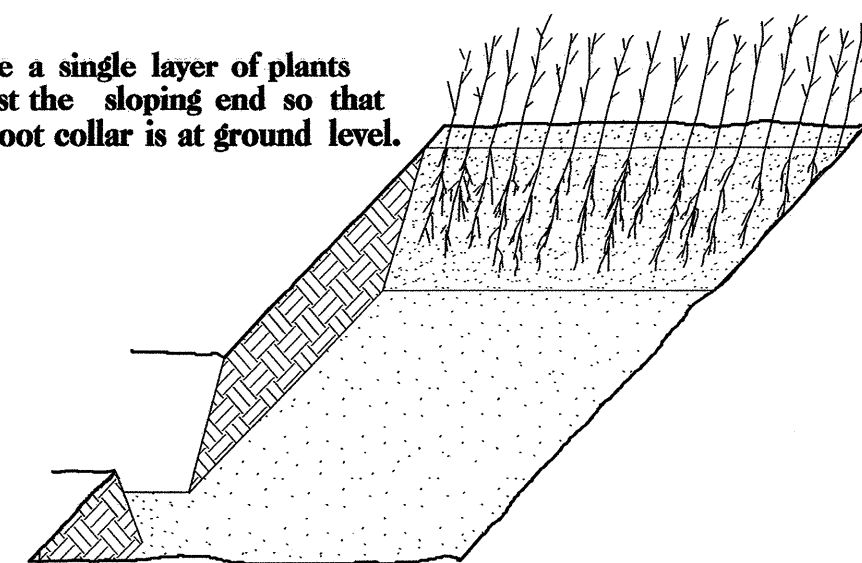
1. Locate a healing-in site in a shady, well protected area.
2. Excavate a flat bottom trench 300mm deep and provide drainage.



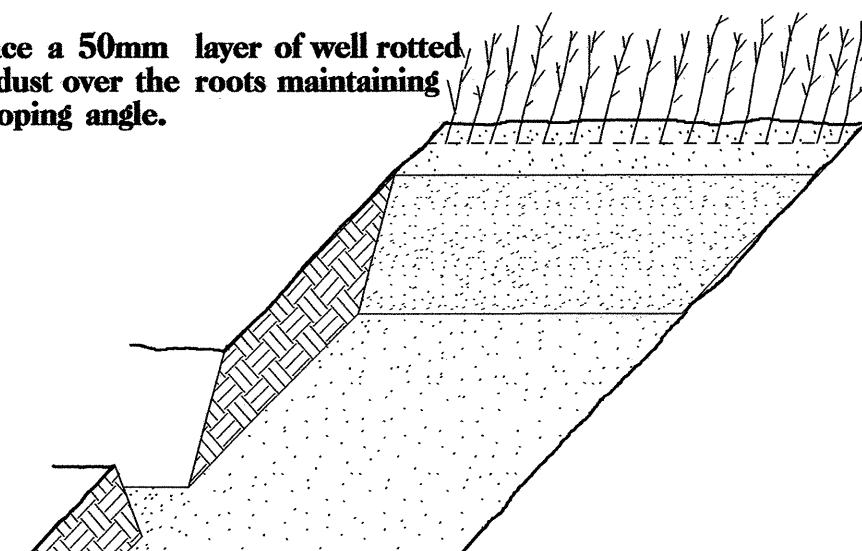
3. Backfill the trench with 50mm well rotted sawdust. Place a 50mm layer of well rotted sawdust at a sloping angle at one end of the trench.



4. Place a single layer of plants against the sloping end so that the root collar is at ground level.

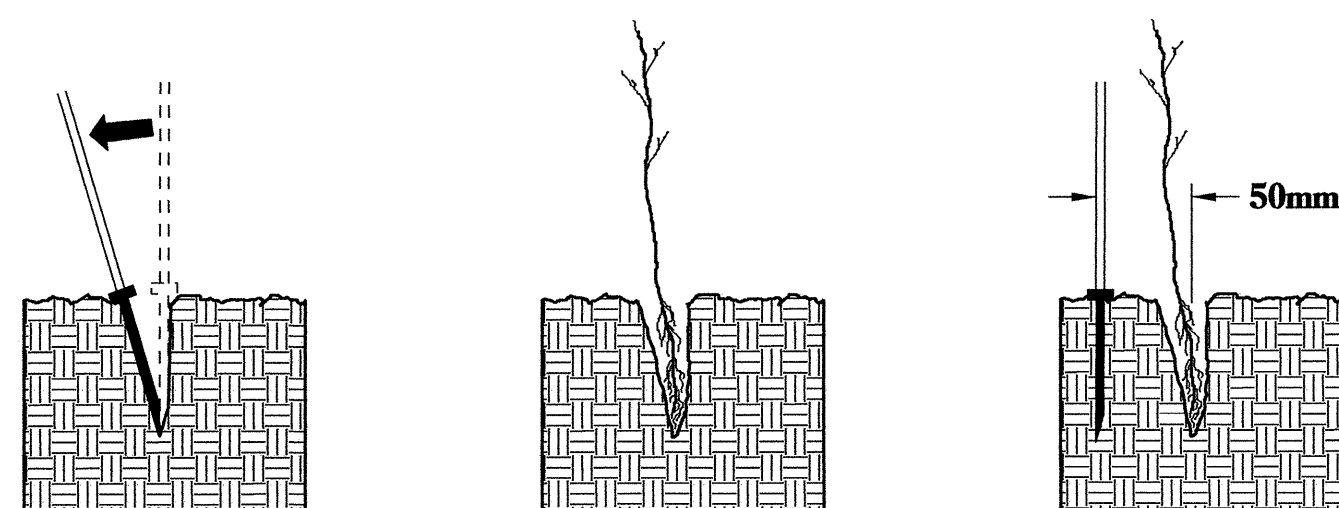


5. Place a 50mm layer of well rotted sawdust over the roots maintaining a sloping angle.

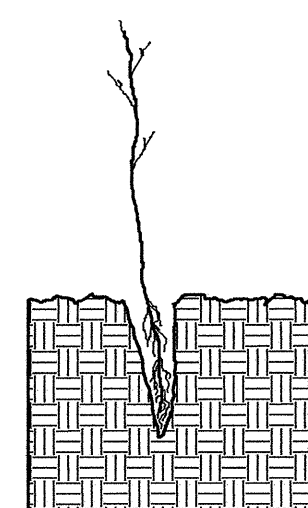


6. Repeat layers of plants and sawdust as necessary and water thoroughly.

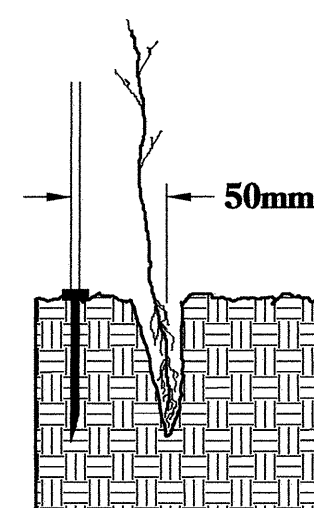
DIBBLE PLANTING METHOD USING THE KBC PLANTING BAR



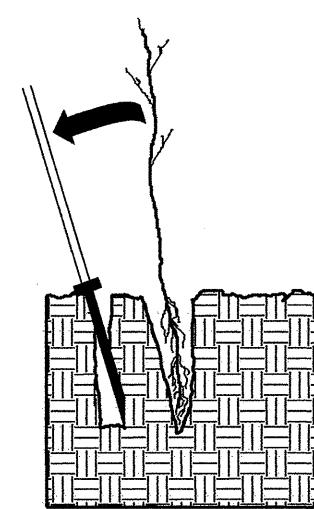
1. Insert planting bar as shown and pull handle toward planter.



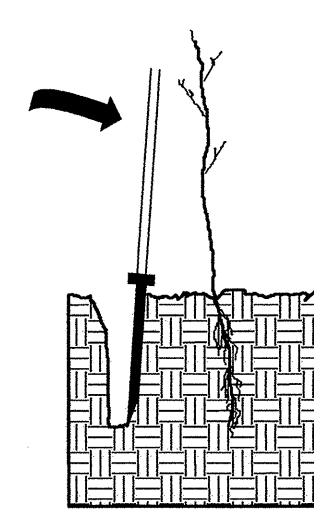
2. Remove planting bar and place seedling at correct depth.



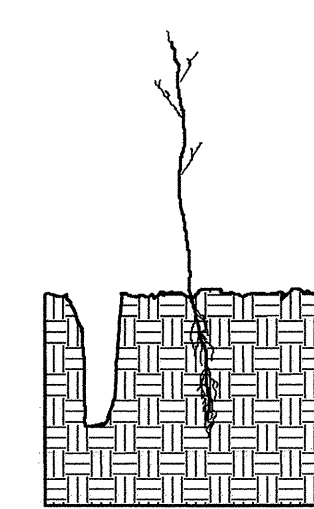
3. Insert planting bar 50mm toward planter from seedling.



4. Pull handle of bar toward planter, firming soil at bottom.



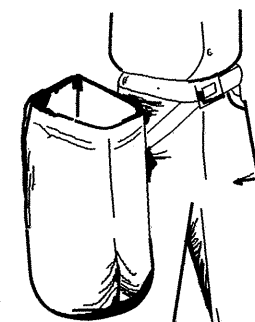
5. Push handle forward firming soil at top.



6. Leave compaction hole open. Water thoroughly.

PLANTING NOTES:

PLANTING BAG
During planting, seedlings shall be kept in a moist canvas bag or similar container to prevent the root systems from drying.



KBC PLANTING BAR
Planting bar shall have a blade with a triangular cross section, and shall be 300mm long, 100mm wide and 25mm thick at center.



ROOT PRUNING
All seedlings shall be root pruned, if necessary, so that no roots extend more than 250mm below the root collar.

REFORESTATION

- TREE REFORESTATION SHALL BE PLANTED 1.8m TO 3.0m ON CENTER, RANDOM SPACING, AVERAGING 2.4m ON CENTER, APPROXIMATELY 1680 PLANTS PER HECTARE.

REFORESTATION

MIXTURE, TYPE, SIZE, AND FURNISH SHALL CONFORM TO THE FOLLOWING:

25% LIRIODENDRON TULIPIFERA	TULIP POPLAR	305mm - 457mm BR
25% PLATANUS OCCIDENTALIS	SYCAMORE	305mm - 457mm BR
25% FRAXINUS PENNSYLVANICA	GREEN ASH	305mm - 457mm BR
25% QUERCUS NIGRA	WATER OAK	305mm - 457mm BR

REFORESTATION DETAIL SHEET

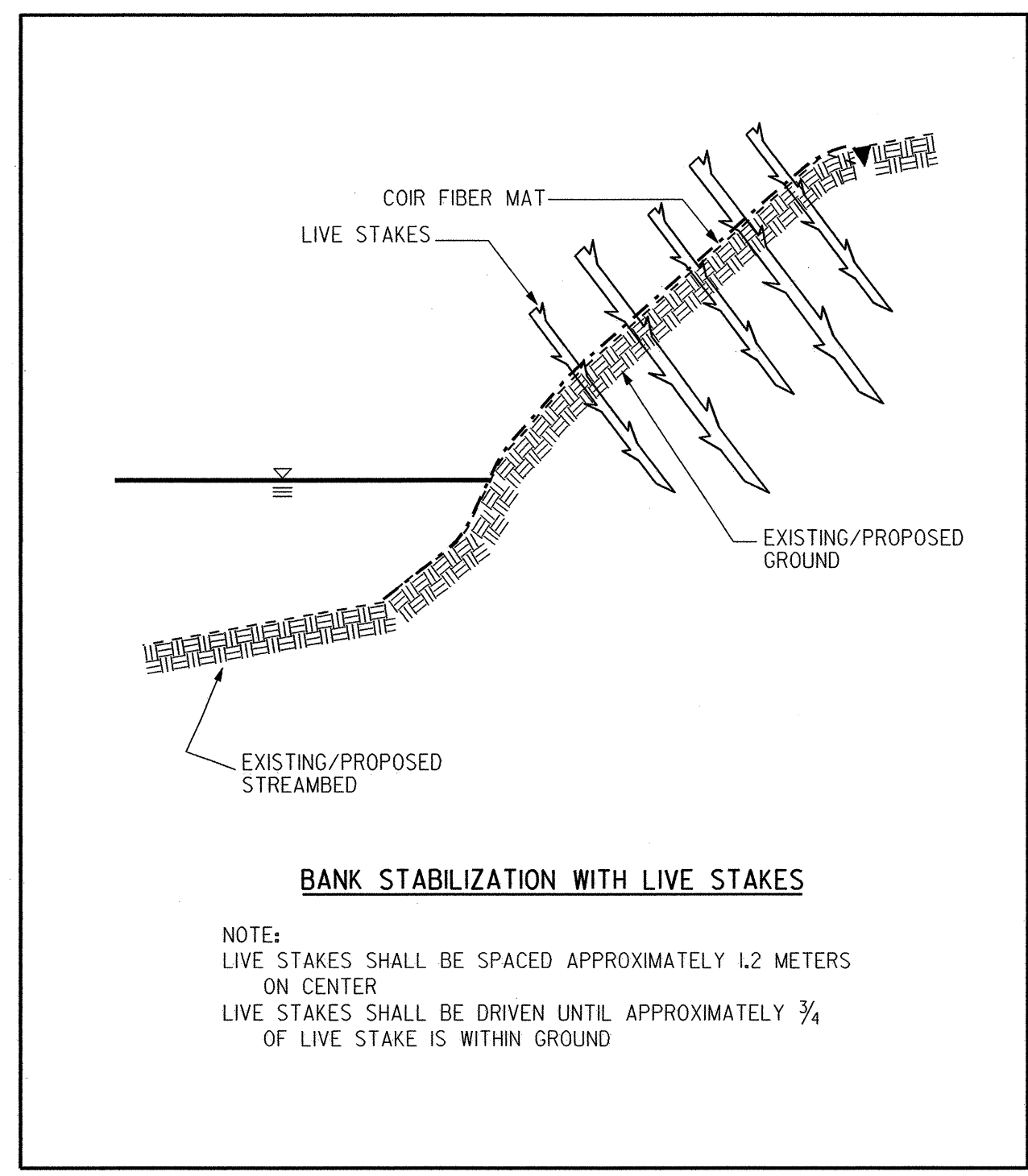
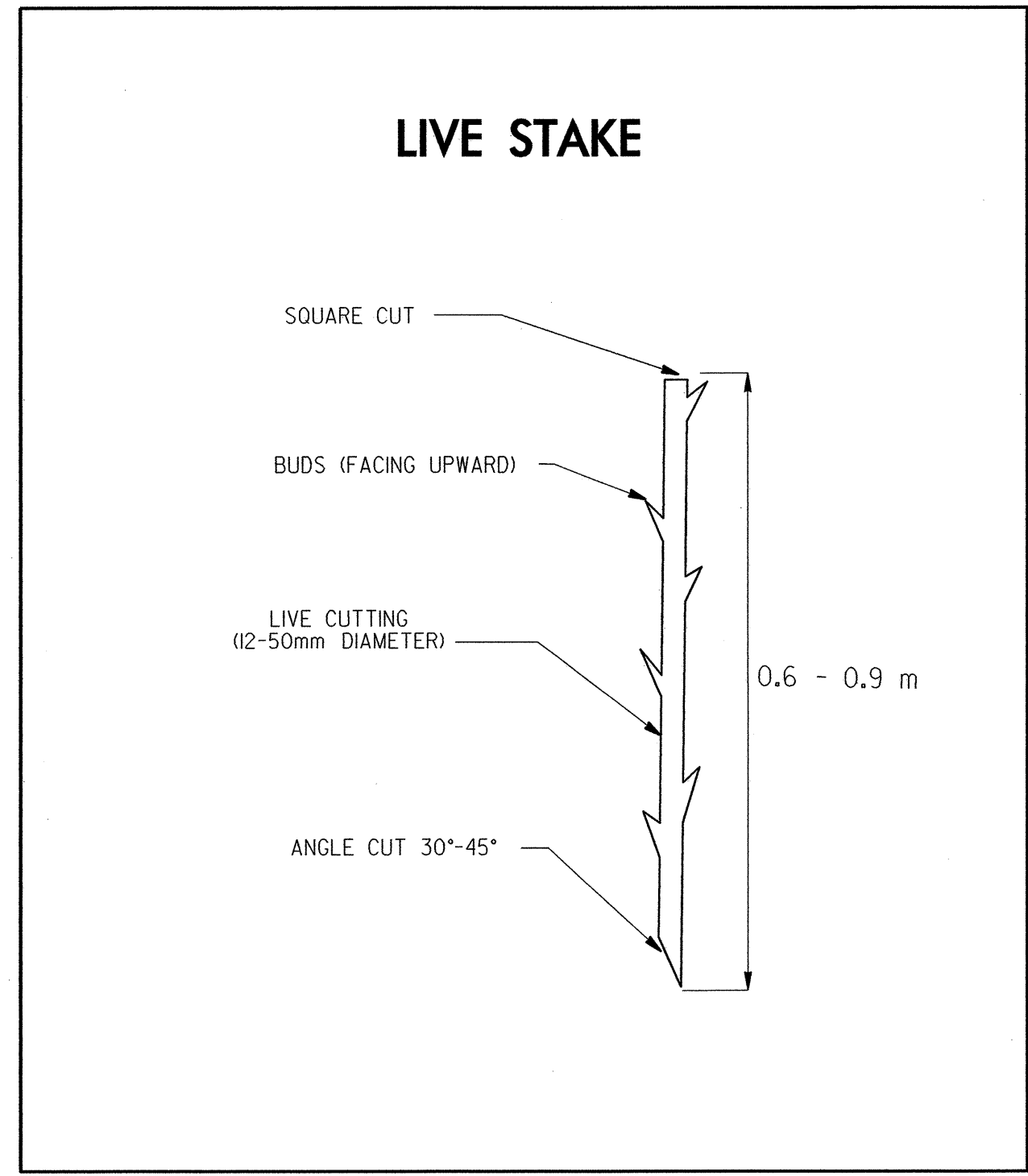
N.C.D.O.T. - ROADSIDE ENVIRONMENTAL UNIT



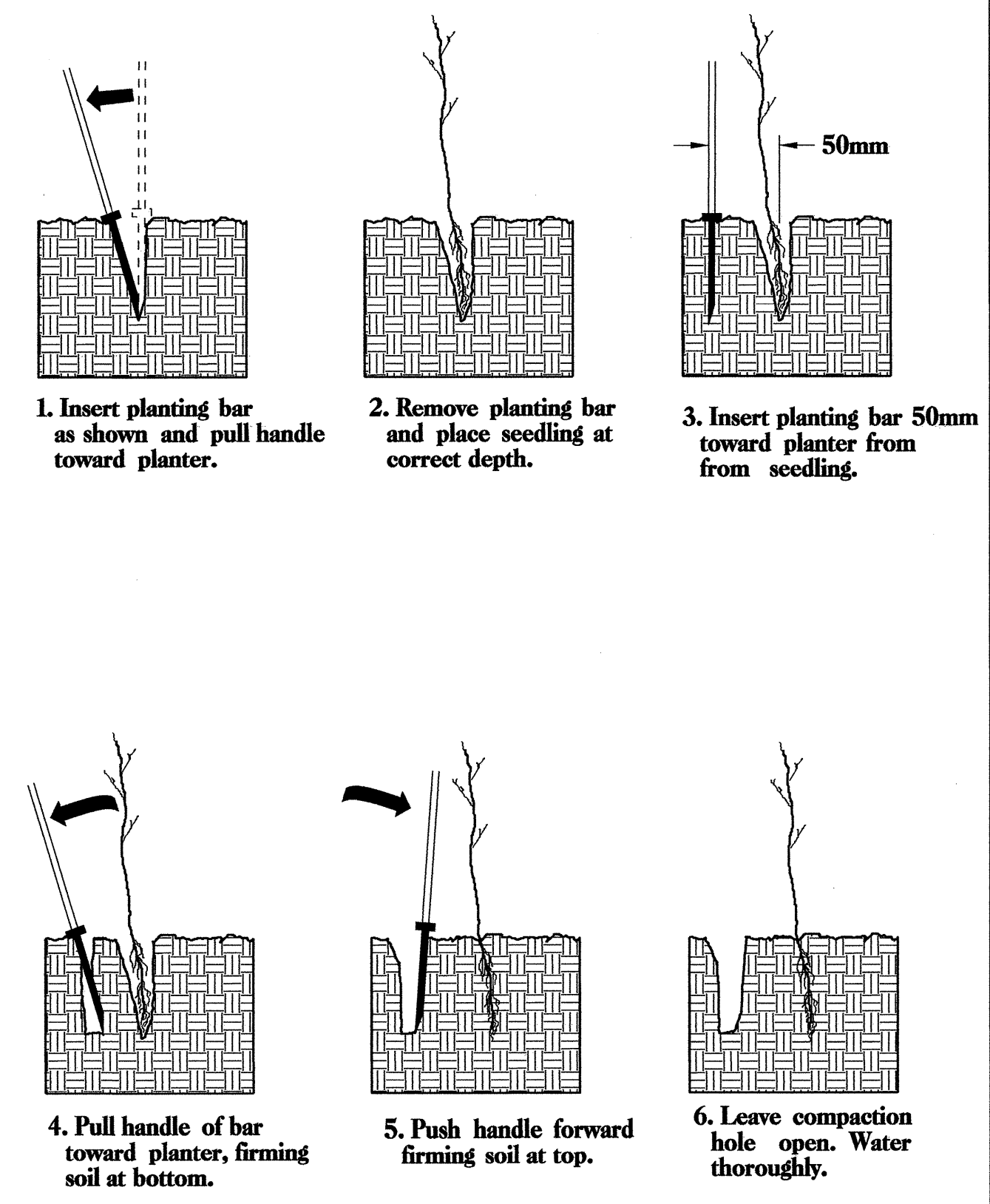
PROJECT REFERENCE NO. R-2241A	SHEET NO. RF-2
R/W SHEET NO.	
ROADWAY DESIGN ENGINEER	HYDRAULICS ENGINEER

PLANTING DETAILS

LIVE STAKES PLANTING DETAIL



BAREROOT PLANTING DETAIL DIBBLE PLANTING METHOD USING THE KBC PLANTING BAR

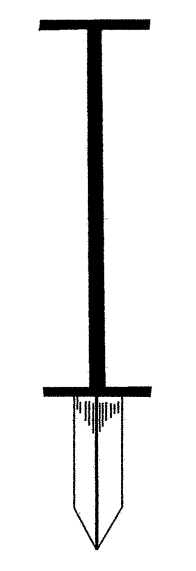


PLANTING NOTES:

PLANTING BAG
During planting, seedlings shall be kept in a moist canvas bag or similar container to prevent the root systems from drying.



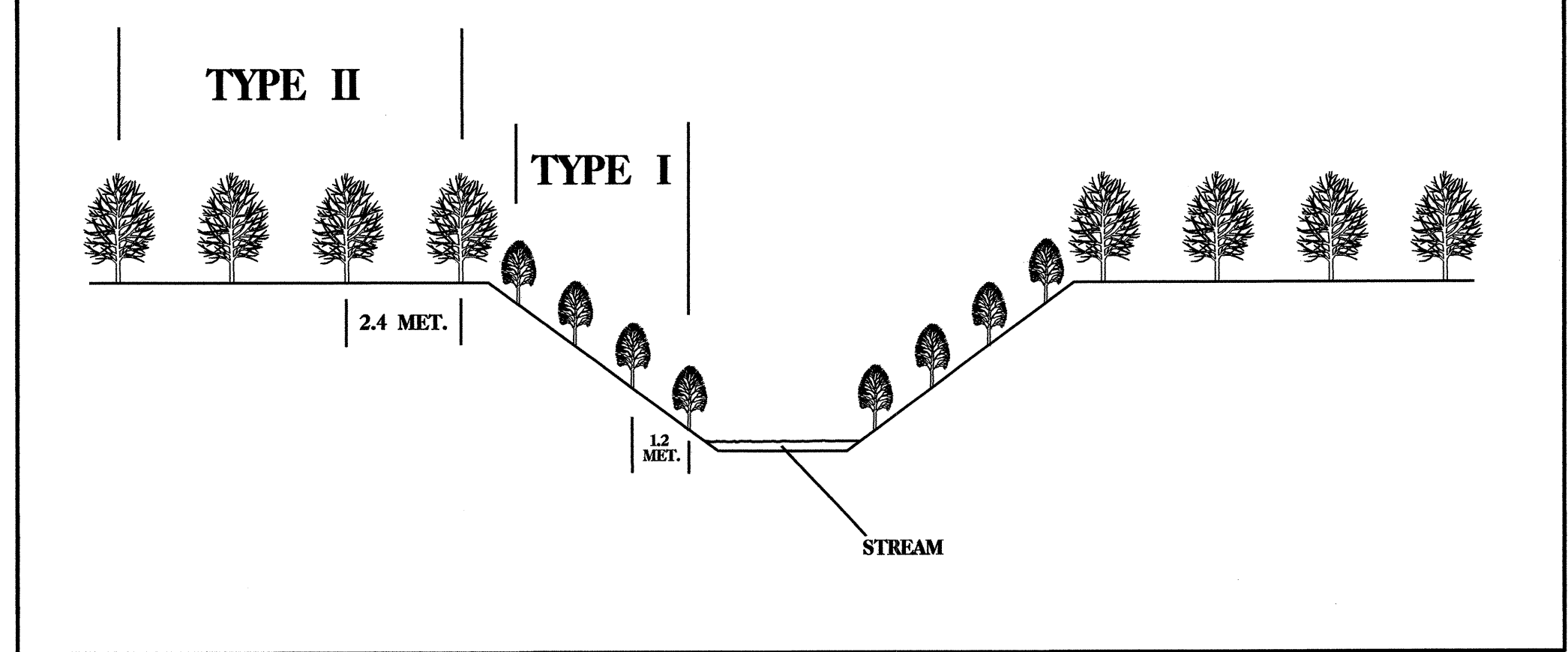
KBC PLANTING BAR
Planting bar shall have a blade with a triangular cross section, and shall be 300mm long, 100mm wide and 25mm thick at center.



ROOT PRUNING
All seedlings shall be root pruned, if necessary, so that no roots extend more than 250mm below the root collar.

- TYPE 1 STREAMBANK REFORESTATION SHALL BE PLANTED 0.9m TO 1.5m ON CENTER, RANDOM SPACING, AVERAGING 1.2m ON CENTER, APPROXIMATELY 6726 PLANTS PER HECTARE.
- TYPE 2 STREAMBANK REFORESTATION SHALL BE PLANTED 1.8m TO 3.0m ON CENTER, RANDOM SPACING, AVERAGING 2.4m ON CENTER, APPROXIMATELY 1680 PLANTS PER HECTARE.
- NOTE: TYPE 1 AND TYPE 2 STREAMBANK REFORESTATION SHALL BE PAID FOR AS "STREAMBANK REFORESTATION"

STREAMBANK REFORESTATION TYPICAL



STREAMBANK REFORESTATION

MIXTURE, TYPE, SIZE, AND FURNISH SHALL CONFORM TO THE FOLLOWING:

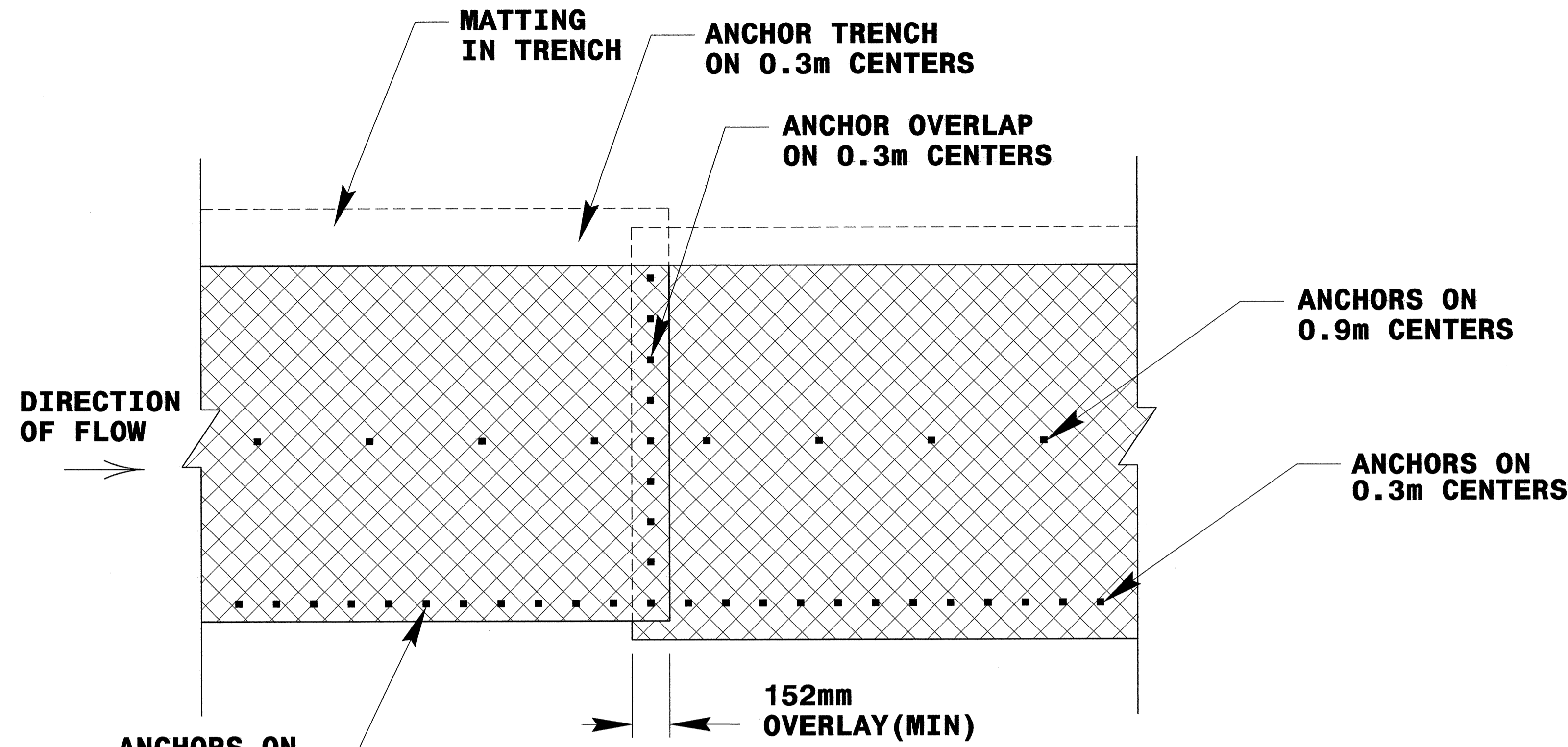
TYPE 1			
50% SALIX NIGRA	BLACK WILLOW	0.6m to 0.9m	LIVE STAKES
50% CORNUS AMOMUM	SILKY DOGWOOD	0.6m to 0.9m	LIVE STAKES
TYPE 2			
25% LIRIODENDRON TULIPIFERA	TULIP POPLAR	305mm - 457mm	BR
25% PLATANUS OCCIDENTALIS	SYCAMORE	305mm - 457mm	BR
25% FRAXINUS PENNSYLVANICA	GREEN ASH	305mm - 457mm	BR
25% QUERCUS NIGRA	WATER OAK	305mm - 457mm	BR

SEE PLAN SHEETS FOR AREAS TO BE PLANTED

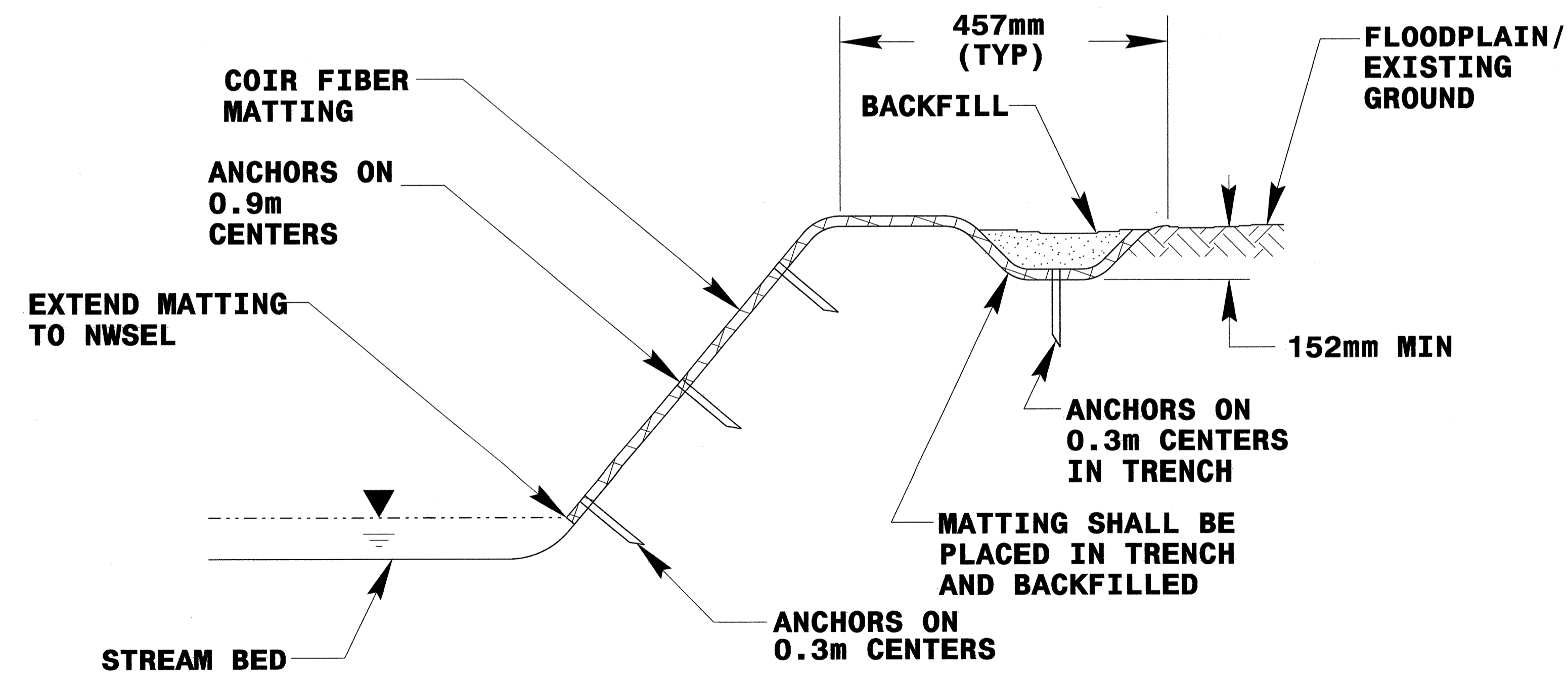
STREAMBANK REFORESTATION
DETAIL SHEET 1 OF 2
N.C.D.O.T. - ROADSIDE ENVIRONMENTAL UNIT



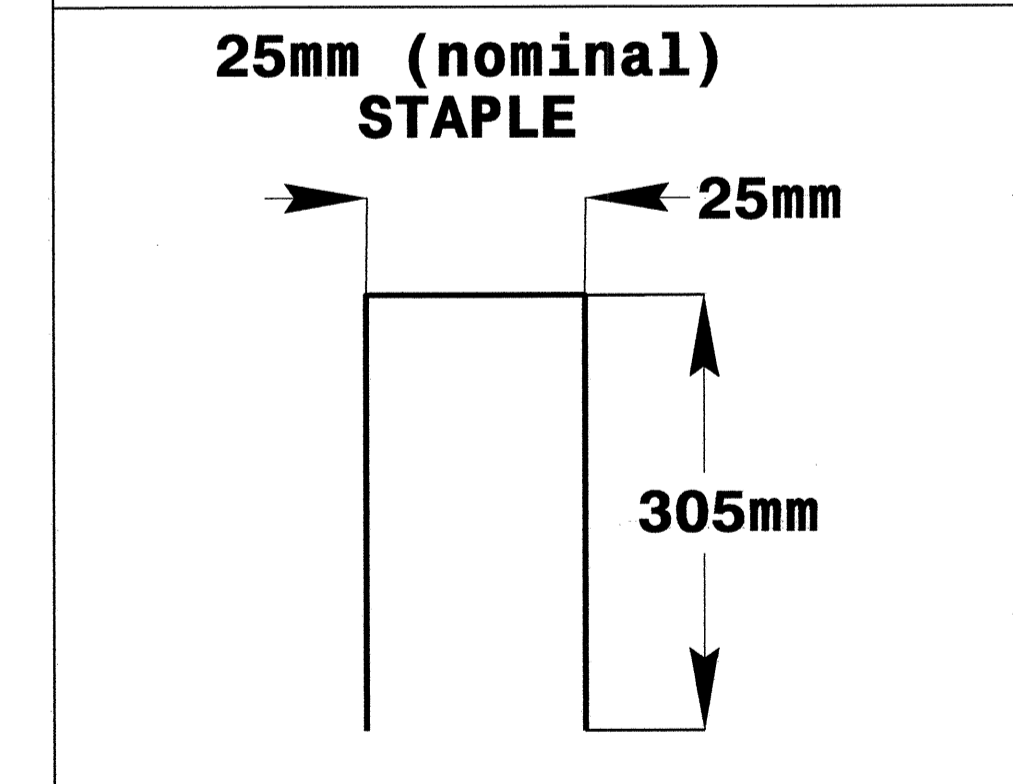
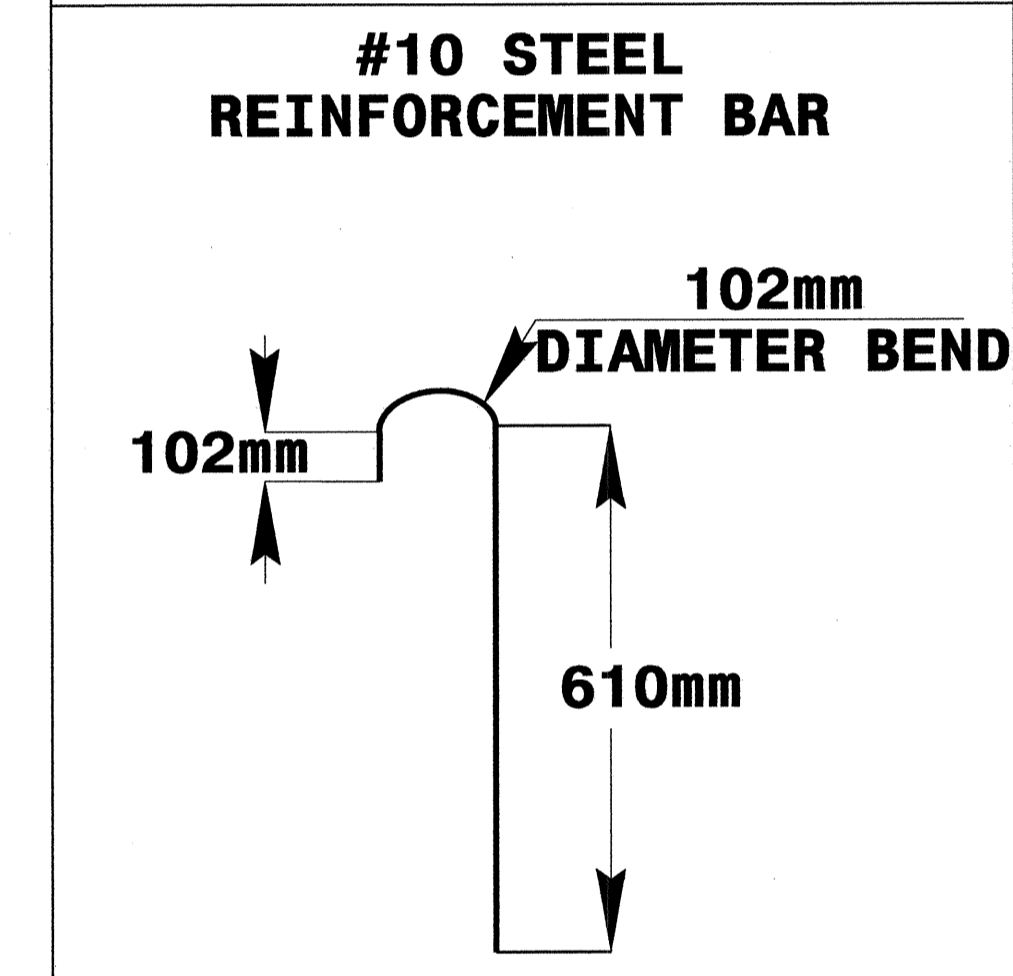
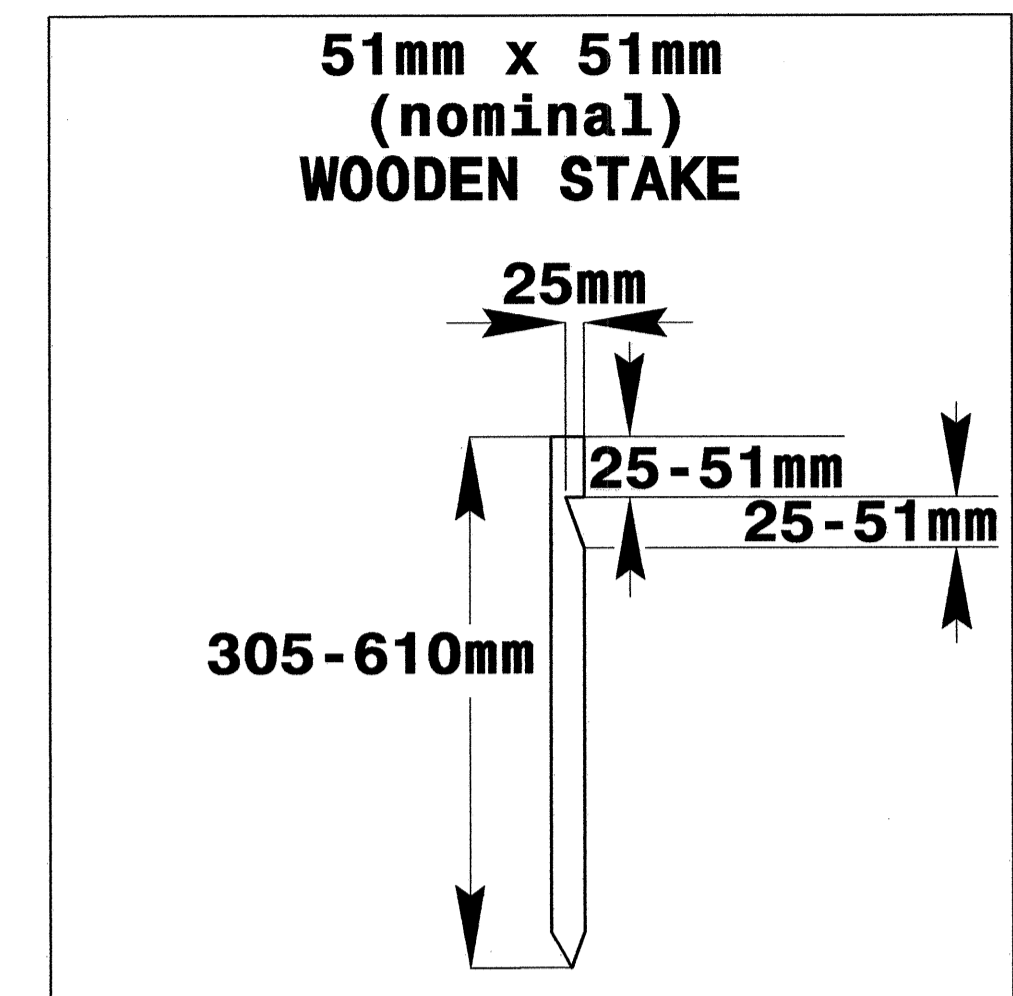
PROJECT REFERENCE NO. R-2241A	SHEET NO. RF-3
R/W SHEET NO. ROADWAY DESIGN ENGINEER	HYDRAULICS ENGINEER



PLAN VIEW



TYPICAL CROSS SECTION



ANCHOR OPTIONS

COIR FIBER MATTING DETAIL

NOT TO SCALE