

T.I.P.: B-4543

CONTRACT: C202953

STATE OF NORTH CAROLINA  
DEPARTMENT OF TRANSPORTATION

PAVEMENT MARKING PLAN  
HARNETT COUNTY

LOCATION: REPLACE BRIDGE 120 OVER THE BLACK RIVER ON SR 1558

TIP NO.	SHEET NO.
B-4543	PMP-1
APPROVED: <i>[Signature]</i>	
DATE: 7/19/12	
SEAL	

**ROADWAY STANDARD DRAWING**

THE FOLLOWING ROADWAY STANDARDS AS APPEAR IN "ROADWAY STANDARD DRAWINGS" - PROJECT SERVICES UNIT - N.C. DEPARTMENT OF TRANSPORTATION - RALEIGH, N.C., DATED JANUARY 2012 ARE APPLICABLE TO THIS PROJECT AND BY REFERENCE HEREBY ARE CONSIDERED A PART OF THESE PLANS:

STD. NO.	TITLE
1205.01	PAVEMENT MARKINGS - LINE TYPES AND OFFSETS
1205.02	PAVEMENT MARKINGS - 2 LANE AND MULTILANE ROADWAYS
1205.12	PAVEMENT MARKINGS - BRIDGES
1261.01	GUARDRAIL AND BARRIER DELINEATOR SPACING
1261.02	GUARDRAIL AND BARRIER DELINEATOR TYPES
1262.01	GUARDRAIL END DELINEATION

**GENERAL NOTES**

THE FOLLOWING GENERAL NOTES APPLY AT ALL TIMES FOR THE DURATION OF THE CONSTRUCTION PROJECT, EXCEPT WHEN OTHERWISE NOTED IN THE PLAN, OR DIRECTED BY THE ENGINEER.

- A) INSTALL PAVEMENT MARKINGS AND PAVEMENT MARKERS ON THE FINAL SURFACE AS FOLLOWS:

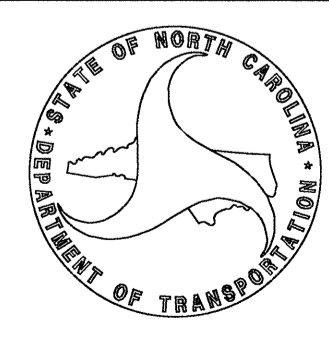
ROAD NAME	MARKING	MARKER
SR 1558 AND BRIDGE	PAINT	NONE
- B) TIE PROPOSED PAVEMENT MARKING LINES TO EXISTING PAVEMENT MARKING LINES.
- C) REMOVE/REPLACE ANY CONFLICTING/DAMAGED PAVEMENT MARKINGS AND MARKERS.
- D) PASSING ZONES WILL BE DETERMINED IN THE FIELD AND MUST BE APPROVED BY THE ENGINEER.

**PAVEMENT MARKING SCHEDULE**

SYMBOL	DESCRIPTION
PA	WHITE EDGELINE (2X) PAINT(4")
PI	YELLOW DOUBLE CENTER (2X) PAINT(4")

PLAN PREPARED BY: N.C.D.O.T. SIGNING AND DELINEATION UNIT

AYMAN ALQUDWAH, P.E.	SIGNING & DELINEATION REGIONAL ENGINEER
ERIC WARD	SIGNING & DELINEATION DESIGN ENGINEER



**INDEX**

SHEET NO.	DESCRIPTION
PMP-1	PAVEMENT MARKING PLAN COVER SHEET NOTES & SCHEDULE
PMP-2	PAVEMENT MARKING DETAIL

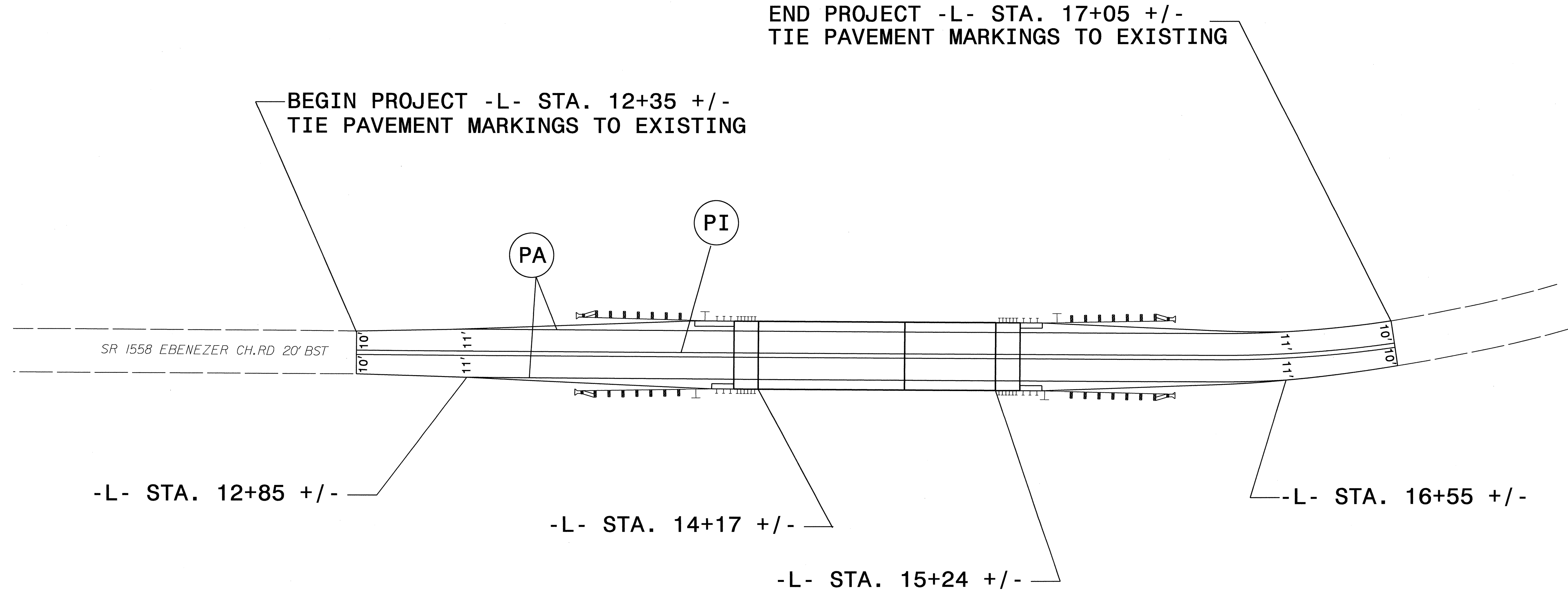
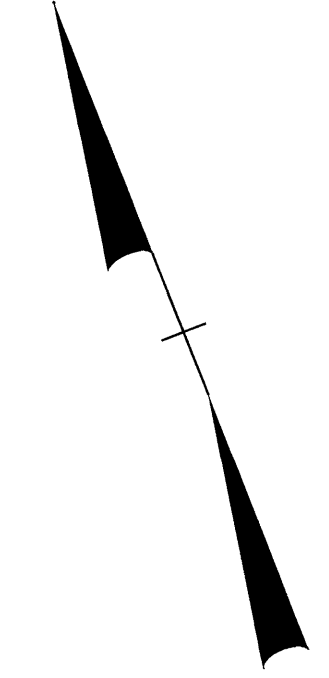
TIP NO.	SHEET NO.
B-4543	PMP-2
APPROVED: <i>[Signature]</i>	
DATE: 7/19/12	
SEAL	

**SYMBOL AND PAVEMENT MARKING LEGEND**

PAINT

(PI) YELLOW DOUBLE CENTER 4"

(PA) WHITE EDGELINE 4"



**PAVEMENT MARKING DETAIL**