


**STATE OF NORTH CAROLINA
DEPARTMENT OF TRANSPORTATION**

**PAVEMENT MARKING PLAN
BLADEN COUNTY**

LOCATION: BRIDGE No. 5 OVER SINGLETARY MILL BRANCH ON NC 242

TIP NO. B-4711	SHEET NO. PMP-1
APPROVED: <i>[Signature]</i>	
DATE: 8-8-12	
SEAL	



ROADWAY STANDARD DRAWING

THE FOLLOWING ROADWAY STANDARDS AS APPEAR IN "ROADWAY STANDARD DRAWINGS" - PROJECT SERVICES UNIT - N.C. DEPARTMENT OF TRANSPORTATION - RALEIGH, N.C., DATED JANUARY 2012 ARE APPLICABLE TO THIS PROJECT AND BY REFERENCE HEREBY ARE CONSIDERED A PART OF THESE PLANS:

STD. NO.	TITLE
1205.01	PAVEMENT MARKINGS - LINE TYPES AND OFFSETS
1205.02	PAVEMENT MARKINGS - 2 LANE AND MULTILANE ROADWAYS
1205.12	PAVEMENT MARKINGS - BRIDGES
1251.01	RAISED PAVEMENT MARKERS
1261.01	GUARDRAIL AND BARRIER DELINEATOR SPACING
1261.02	GUARDRAIL AND BARRIER DELINEATOR TYPES
1262.01	GUARDRAIL END DELINEATION

GENERAL NOTES

THE FOLLOWING GENERAL NOTES APPLY AT ALL TIMES FOR THE DURATION OF THE CONSTRUCTION PROJECT, EXCEPT WHEN OTHERWISE NOTED IN THE PLAN, OR DIRECTED BY THE ENGINEER.

- A) INSTALL PAVEMENT MARKINGS ON THE FINAL SURFACE AS FOLLOWS:

ROAD NAME	MARKING	MARKER
NC 242	THERMOPLASTIC	RAISED
SR 1183	THERMOPLASTIC	RAISED
- B) TIE PROPOSED PAVEMENT MARKING LINES TO EXISTING PAVEMENT MARKING LINES.
- C) REMOVE/REPLACE ANY CONFLICTING/DAMAGED PAVEMENT MARKINGS AND MARKERS.

PAVEMENT MARKING SCHEDULE

SYMBOL	DESCRIPTION
TA	THEMOPLASTIC(4", 90 MIL) WHITE EDGELINE
TI	THEMOPLASTIC(4", 120 MIL) YELLOW DOUBLE CENTER

PROJECT NOTE

- 1) INTALL FINAL PAVEMENT MARKINGS AND MARKERS ON RESURFACED DETOUR ROUTE SR 1183 BETWEEN NC 242 AND NC 410 (APPROX. .96 OF A MILE).

INDEX

SHEET NO.	DESCRIPTION
PMP-1	PAVEMENT MARKING PLAN TITLE SHEET
PMP-2	PAVEMENT MARKING DETAIL SHEET

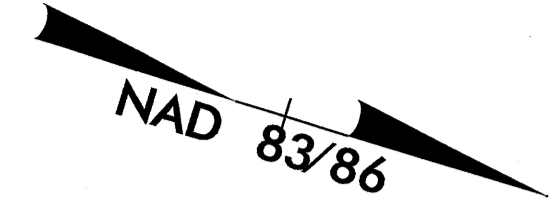
PLAN PREPARED BY: N.C.D.O.T. SIGNING AND DELINEATION UNIT

A.ALQUDWAH, P.E.	SIGNING & DELINEATION REGIONAL ENGINEER
BARRY NOWLIN	SIGNING & DELINEATION DESIGN TECHNICIAN

T.I.P.: B-4711

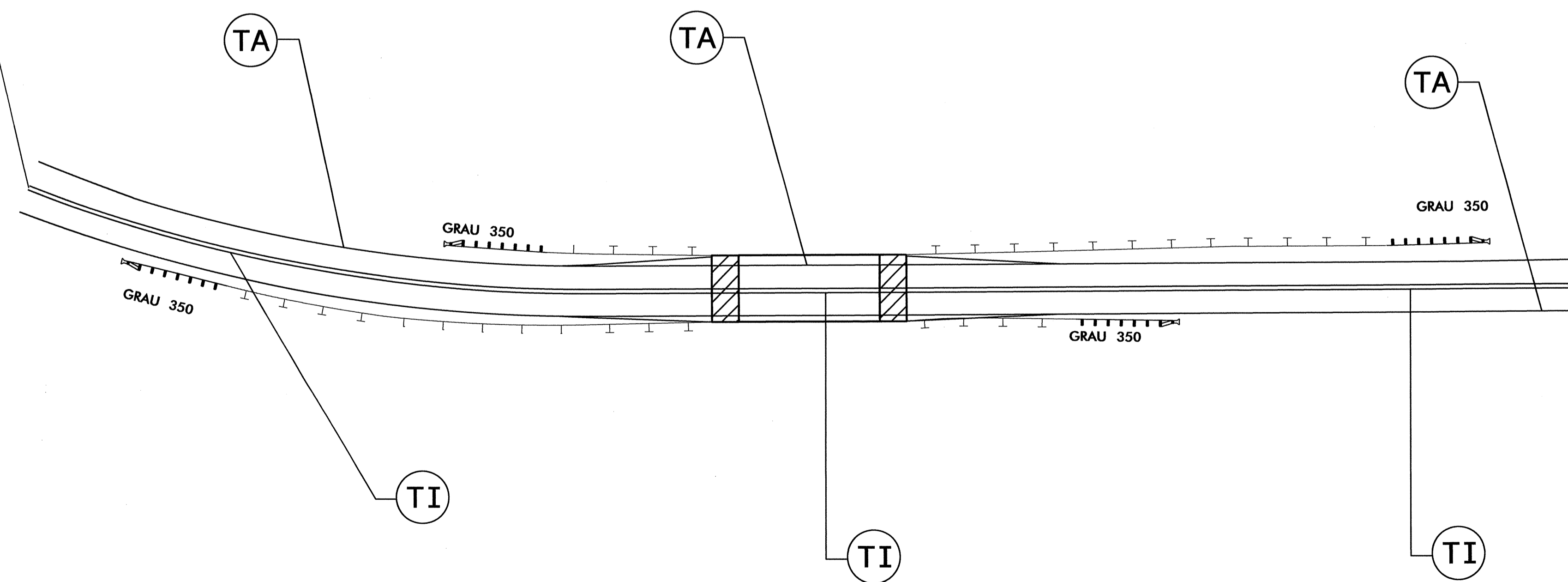
CONTRACT: C202955

TIP NO. B-4711	SHEET NO. PMP-2
APPROVED: <i>[Signature]</i>	
DATE: 7/25/12	
SEAL	



**STA. 13+00.00 -L- BEGIN TIP PROJECT B-4711
TIE TO EXISTING MARKINGS**

**STA. 20+50.00 -L- END TIP PROJECT B-4711
TIE TO EXISTING MARKINGS**



**PAVEMENT MARKING
DETAIL SHEET**

24-JUL-2012 15:42
 R:\Traffic\319929\CADD\PMF B-4711-Sgn-PMP.dgn
 showlin