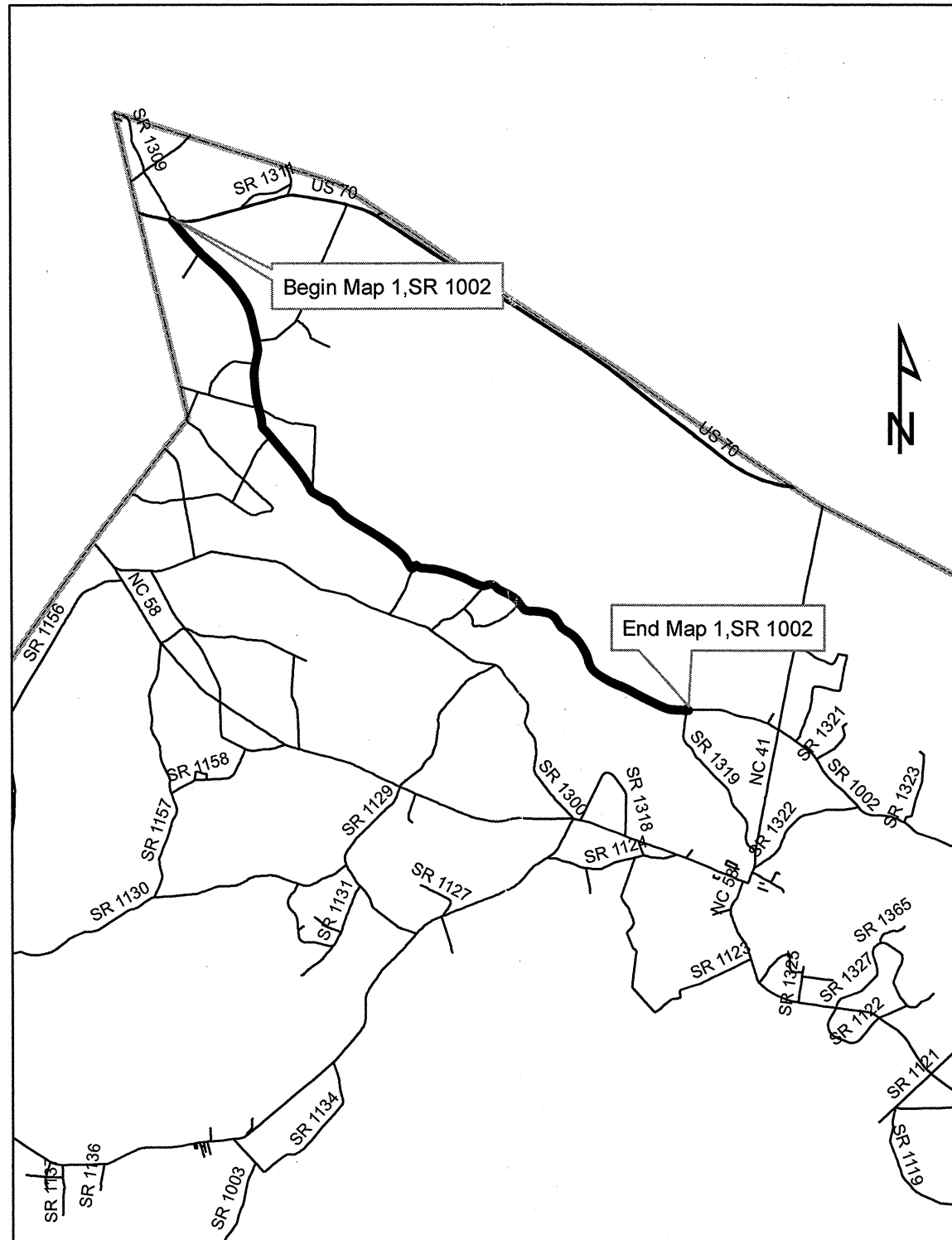


# JONES COUNTY

Project Reference No.	Sheet No.
2CR.20521.7	1

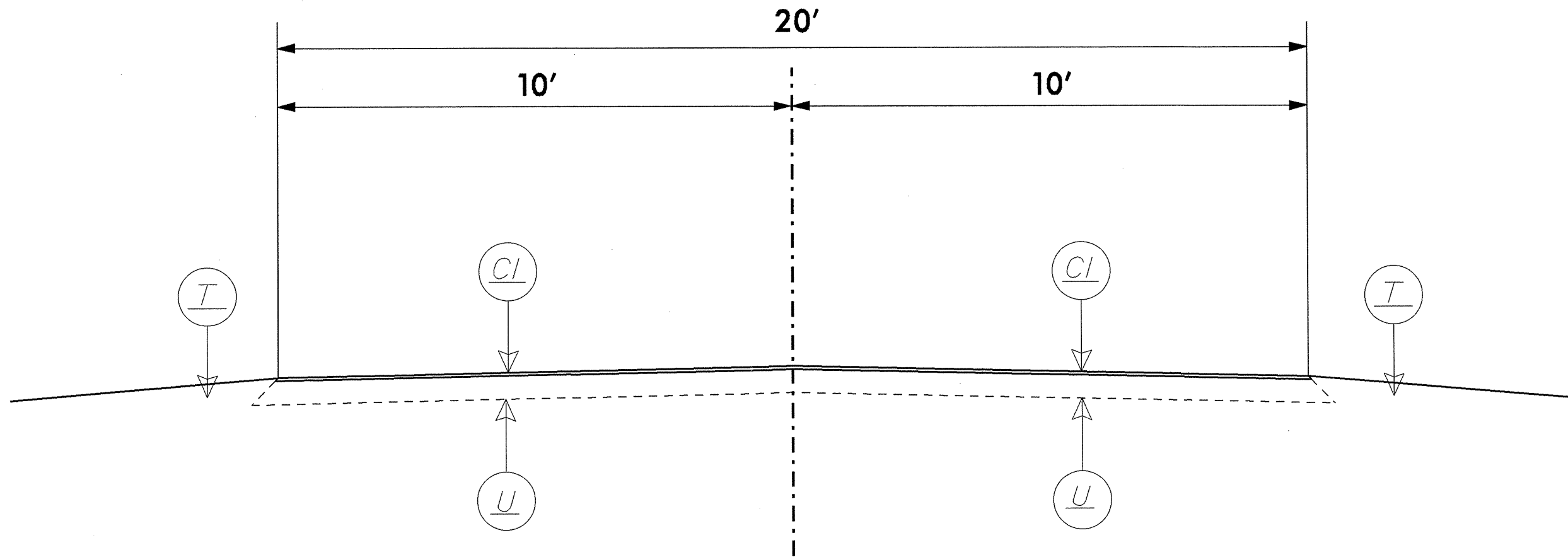


WBS: 2CR.20521.7

Resurface 1 Section of Secondary Road in Jones County

C1	PROP APPROX, 1 3/4" ASPHALT CONCRETE SURFACE COURSE, TYPE, SF9.5A, AT AN AVERAGE RATE OF 192.5 LBS PER SQ YD
T	SHOULDER RECONSTRUCTION (BY OTHERS)
U	EXISTING PAVEMENT

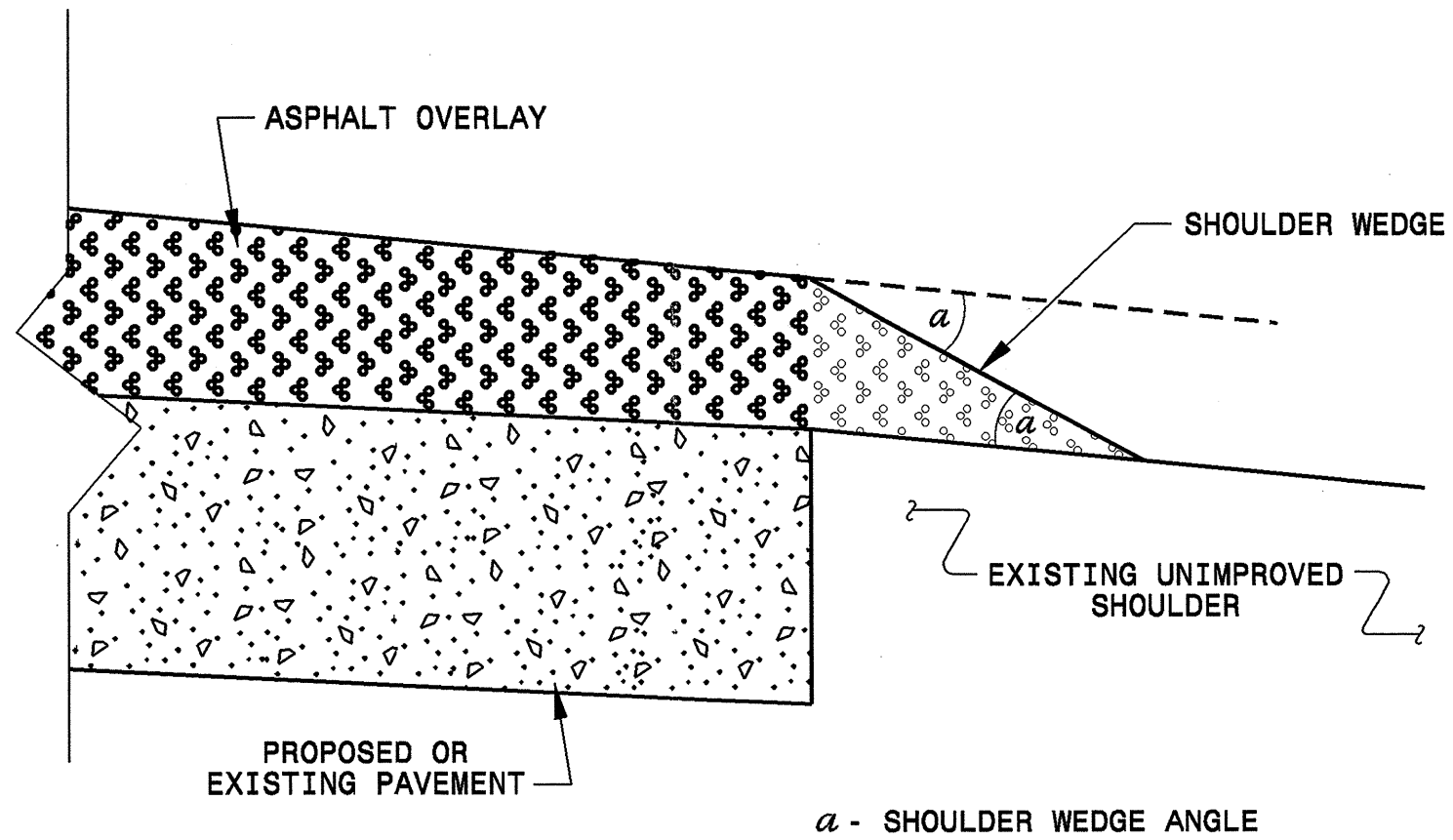
# JONES COUNTY 2012 RESURFACING



TYPICAL SECTION #1

USE FOR MAP #1

PROJECT REFERENCE NO.	SHEET NO.
2CR.20521.7	3



## SHOULDER WEDGE DETAIL

18-JAN-2012 10:49  
 C:\misc\shoulder\shoulder\stand\shoulderwedgedetail.dgn  
 P:\port\er\_H\180237485

<b>CONTRACT STANDARDS AND DEVELOPMENT UNIT</b> Office 919-707-6950 FAX 919-260-4119	
<b>SHOULDER WEDGE DETAIL</b>	
ORIGINAL BY: T.SPELL	DATE: 7-19-11
MODIFIED BY:	DATE:
CHECKED BY:	DATE:
FILE SPEC.: s:\usr\details\stand\shoulderwedgedetail.dgn	

PROJECT NO.	SHEET NO.	TOTAL NO.
2CR.20521.7	4	

## SUMMARY OF QUANTITIES

PROJECT NO	COUNTY	MAP NO	ROUTE	DESCRIPTION	TYP NO	FINAL SURFACE TESTING REQUIRED	LENGTH MI	WIDTH FT	SURFACE COURSE, SF9.5A TONS	ASPHALT BINDER FOR PLANT MIX TONS	ADJ. OF METER OR VALVE BOX EA
2CR.20521.7	Jones	1	SR 1002	FROM US 70 TO SR 1319	1	NO	12.21	20	15,279	1,024	1
<b>TOTAL FOR MAP NO. 1</b>							<b>12.21</b>		<b>15,279</b>	<b>1,024</b>	<b>1</b>
<b>TOTAL FOR PROJ NO. 2CR.20521.7</b>							<b>12.21</b>		<b>15,279</b>	<b>1,024</b>	<b>1</b>
<b>GRAND TOTAL</b>							<b>12.21</b>		<b>15,279</b>	<b>1,024</b>	<b>1</b>

Shoulder repair, erosion control and pavement markings will be accomplished by state forces.